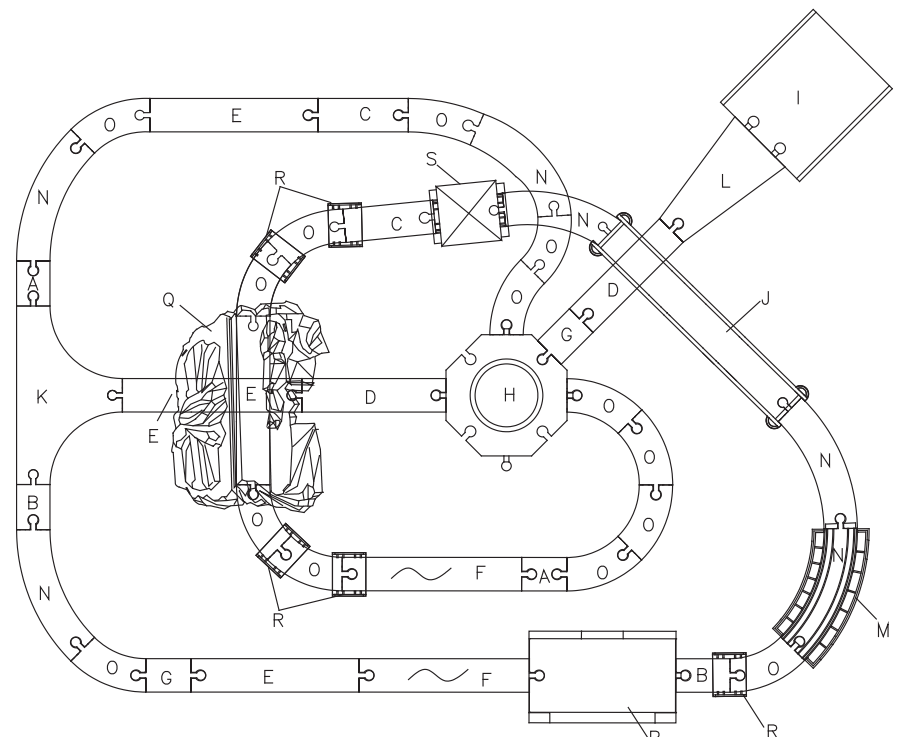


contents

** Please make sure to count all hardware and components before you begin assembling the product.

A x2	C x2	E x4	G x2	I x1	J x1						
B x2	D x2	F x2	H x1								
K x1	M x1 (5 part inside)	N x6	P x1	Q x1 (2 part inside)							
L x1		O x14									
R x5	accessories										
	x1	x1	x1	x1	x1	x1	x2				
S x1	x1	x1	x1	x1	x1	x1	x1	x1	x1	x1	x1
	x2	x2	x2	x1	x16	x5					



wooden train table
user guide

143376 0217
Early Learning Centre®
Watford WD24 6SH England.

Customer Service Department
0371 231 3513

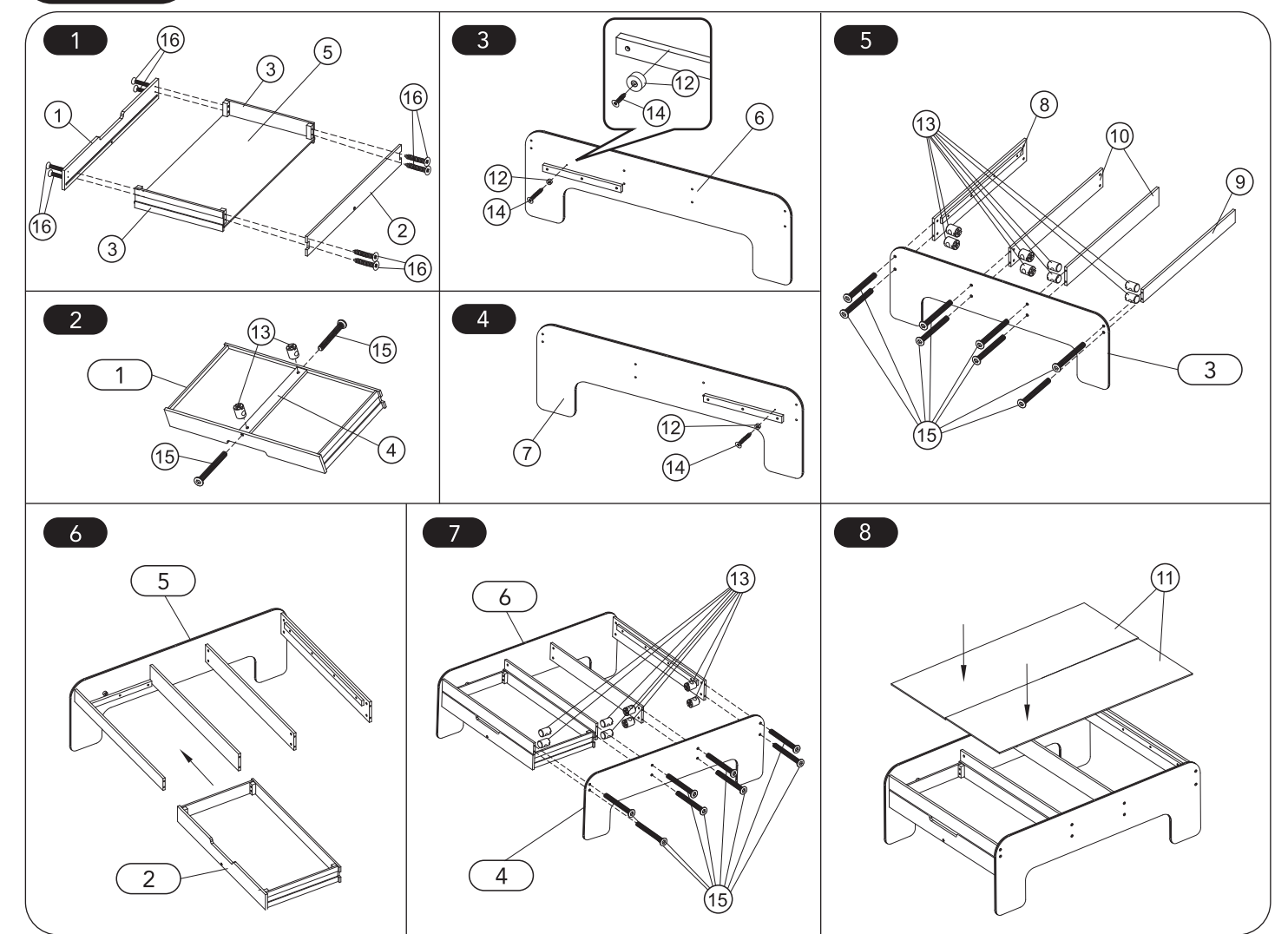
contents


Adult assembly required
In an unassembled state product contains sharp points which may cause injury if misused. Not suitable for children under 3 years

1 x1	6 x1	11 x2
2 x1	7 x1	12 x2
3 x2	8 x1	13 x18
4 x1	9 x1	14 x2 4.2 x 19mm
5 x1	10 x2	15 x18
		16 x8 4.2 x 25mm
		17 x1

** Please make sure to count all hardware and components before you begin assembling the product.

assembly



early learning centre AW17	colours:	approval	date	signature
sku number : 143376	 <p>Black</p>	packaging manager		
product : Wooden Train Table		copywriter		
pack dimensions : A3		QA		
supplier : Tecella		product manager		
date : 8 February 2016		category : A&A		
	designer : Man			

NOTE: The spot colour is not accurate (simulated using CMYK) in this digital proof, please refer to the Pantone specification (or our colour key).