



wooden toddle truck

user guide

135670 0812
Early Learning Centre®
Watford WD24 6SH England.

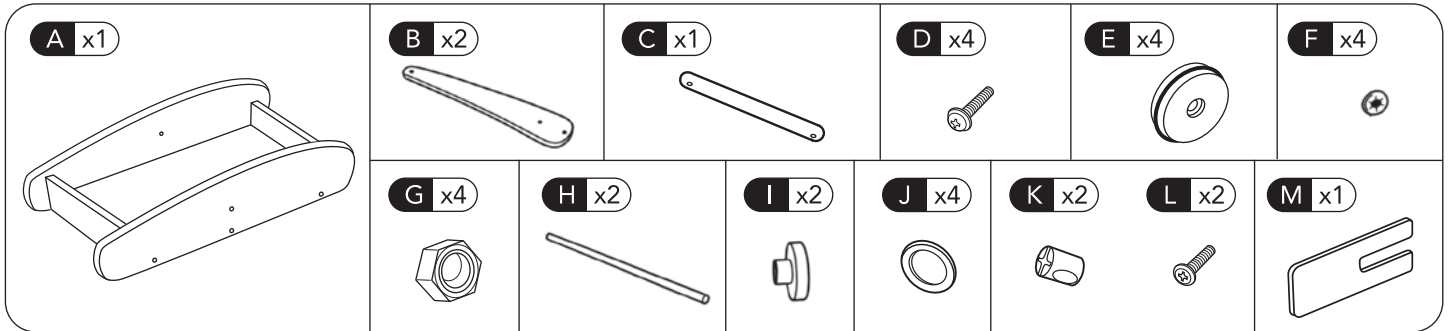
Customer Service Department
0871 231 3511

WARNING! Adult assembly required.

Contains potentially small parts. Keep away from children until assembled.

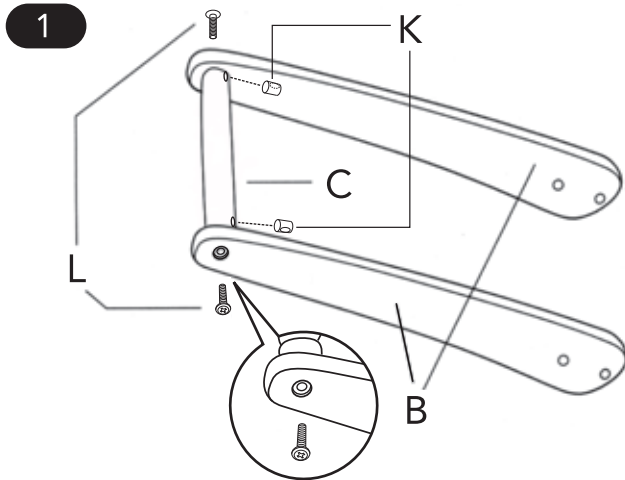
Prior to using, the truck should be checked by an adult to ensure all fixings are security tightened.

contents

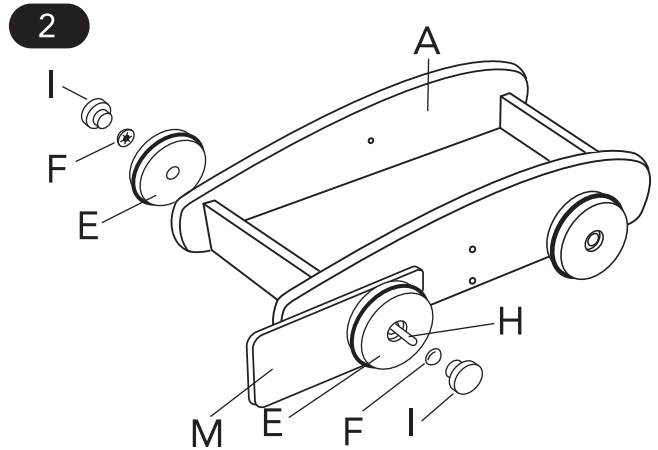


A 10mm spanner, "Phillips screwdriver" and hammer are required to assemble this product

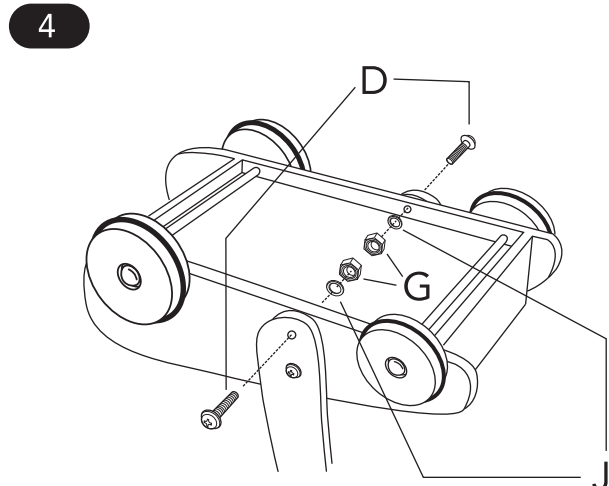
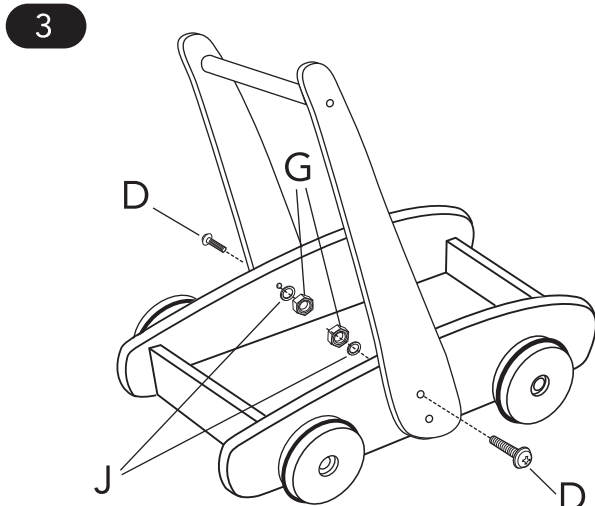
assembly



Ensure that the countersink is on the outside of the truck when screwing in the handles (part B)



Insert part M in place before pressing the end caps "F" securely on the axles using tool "I". A light tap with a hammer will help with fixing of end caps.



bottom of the truck