



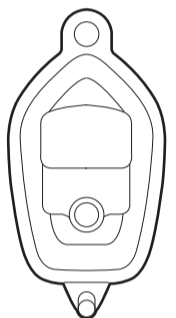
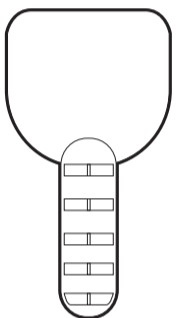
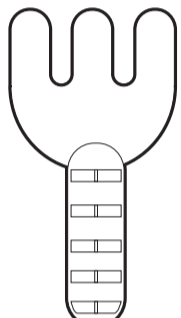
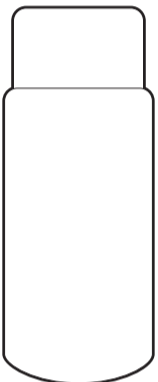
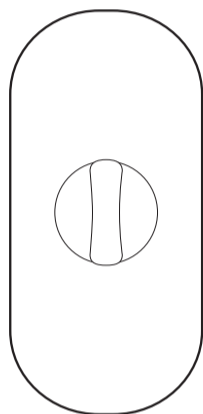
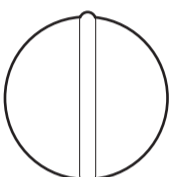
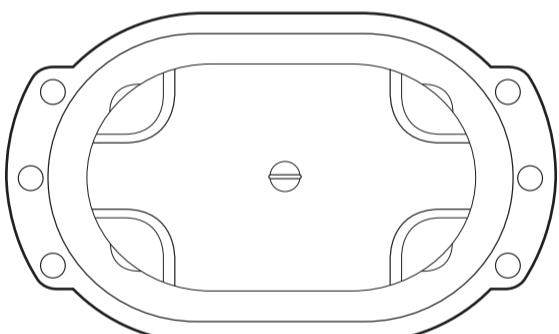
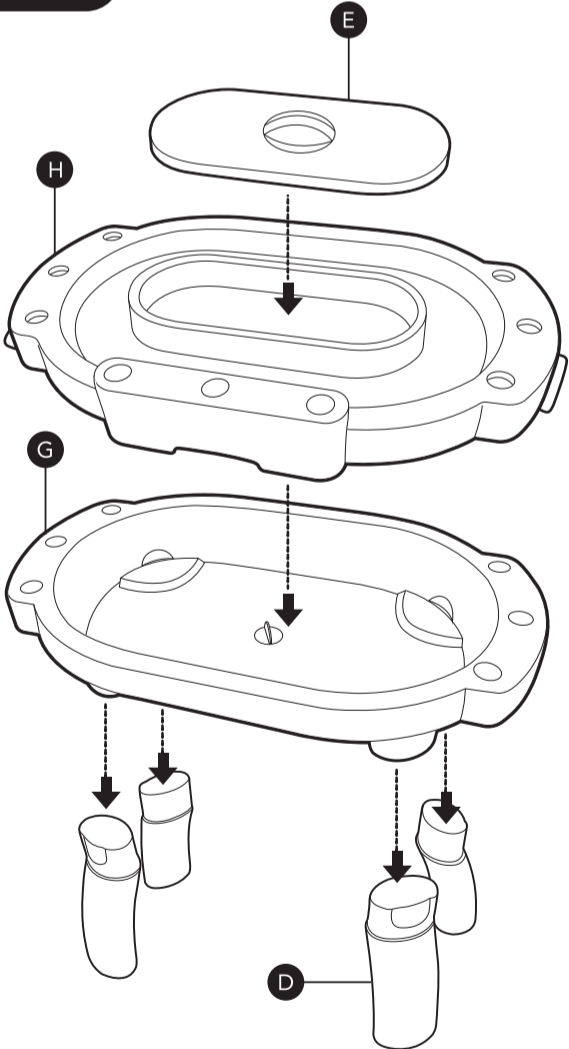
my first sand and water table

user guide

138252 01013
Early Learning Centre®
Watford WD24 6SH England.

Customer Service Department
0871 231 3511

content

<p>A x1</p> 	<p>B x1</p> 	<p>C x1</p> 	<p>D x4</p> 	<p>E x1</p> 	<p>F x1</p> 
<p>G x1</p> 	<p>assembly</p> 				
<p>H x1</p> 