

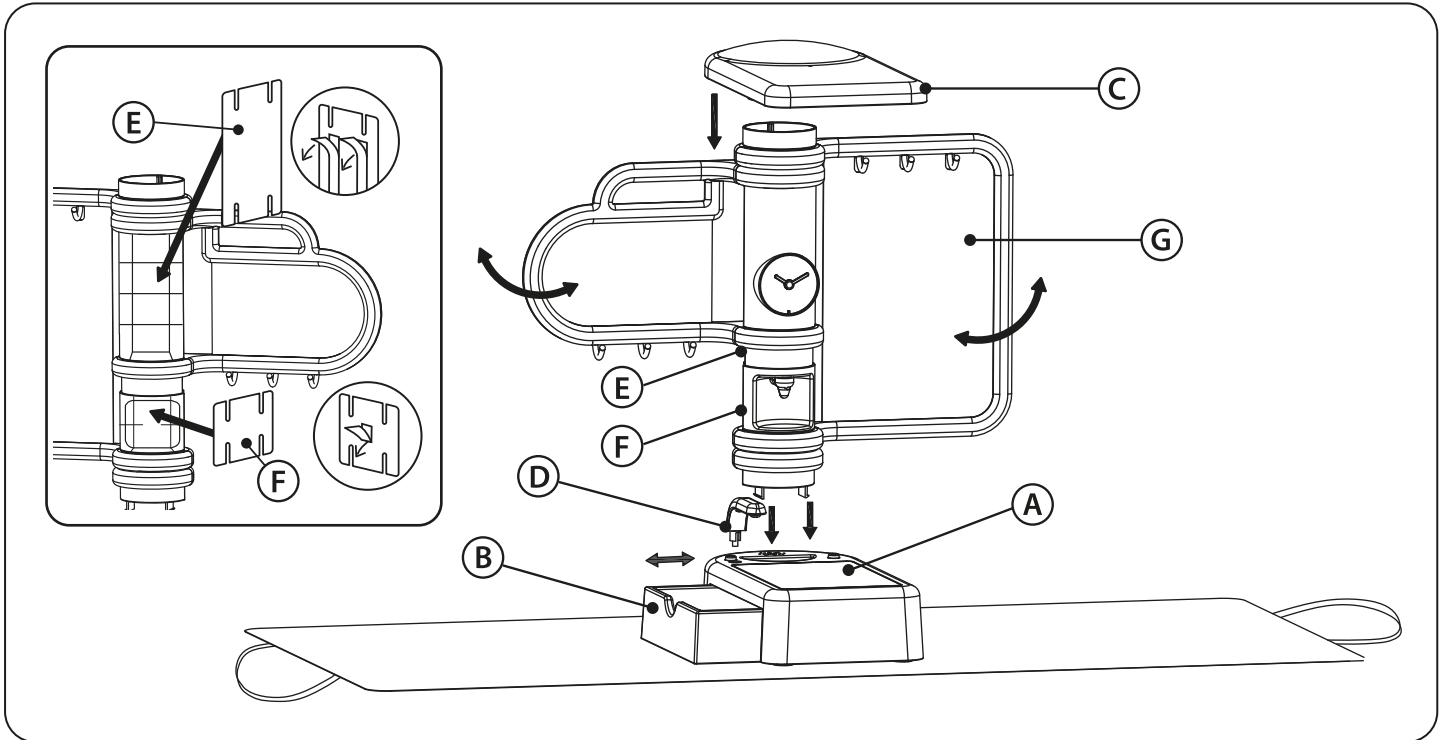


carry along kitchen

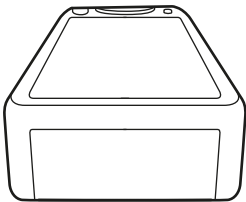
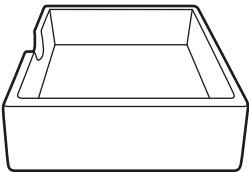
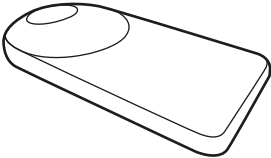
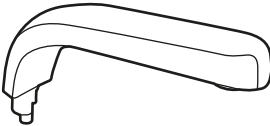
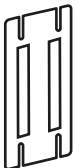

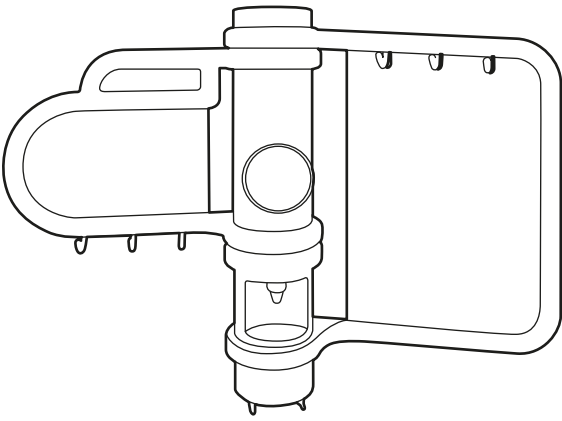
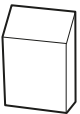
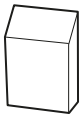
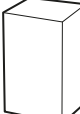
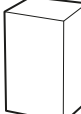








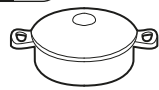





user guide

138606 1013
Early Learning Centre®
Watford WD24 6SH England.

Customer Service Department
0871 231 3511



contents

<p>A x1</p> 	<p>B x1</p> 	<p>C x1</p> 	<p>D x1</p> 	<p>E x1</p> 							
<p>F x1</p> 											
<p>G x1</p> 						<p>H x1</p> 	<p>I x1</p> 	<p>J x1</p> 	<p>K x1</p> 	<p>L x2</p> 	<p>N x2</p> 
<p>M x1</p> 						<p>O x1</p> 	<p>P x1</p> 	<p>Q x1</p> 	<p>R x1</p> 	<p>S x2</p> 	
<p>T x1</p> 						<p>U x2</p> 	<p>V x2</p> 	<p>W x2</p> 	<p>X x2</p> 	<p>X x2</p> 	

assembly

