

<b>early learning centre AW16</b>		approval date	signature
<b>colours:</b>		packaging manager	
		copywriter	
sku number : 143476 product : D&B Drum Kit pack dimensions : 210mm(H) x 297mm(W) supplier : HONORGENS date : 9 Mar 2016 category : Music designer : Dorothy		QA	
		product manager	

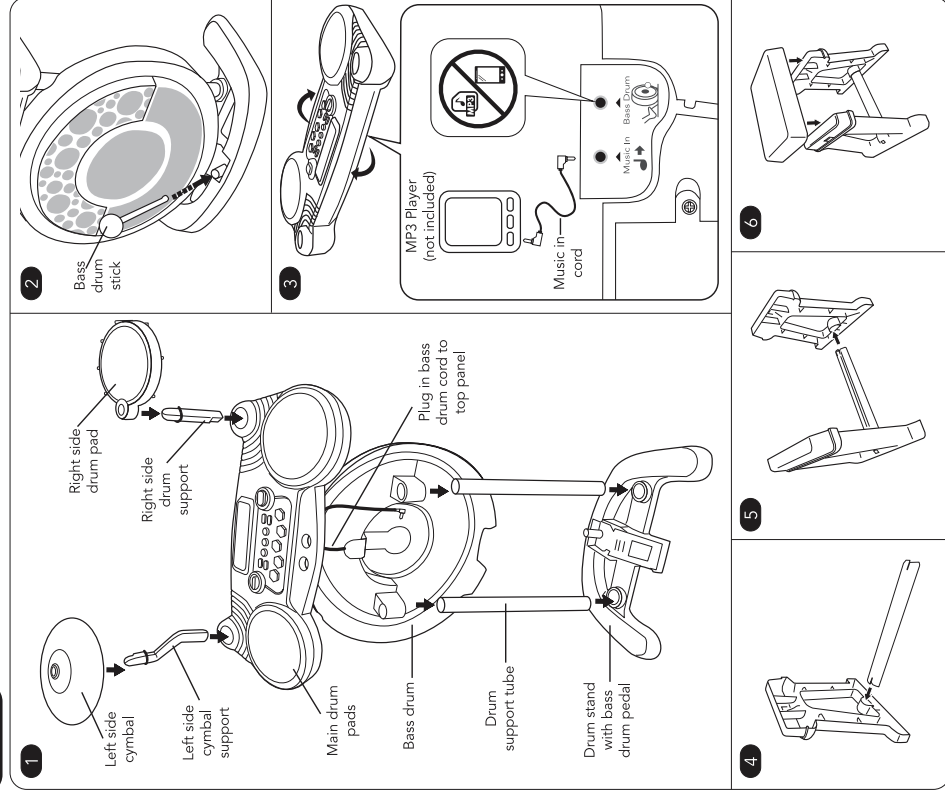


## drum n beats drum kit

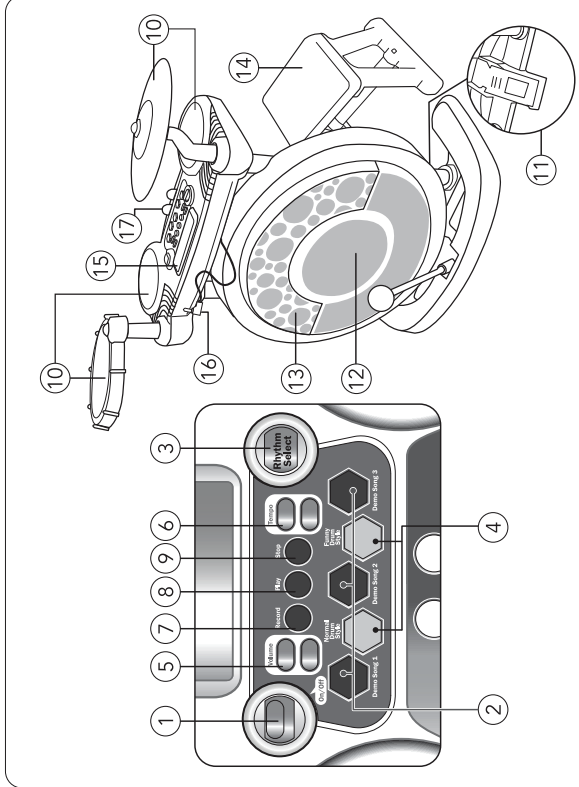
user guide

143476 0216  
Early Learning Centre®  
Welford WD24 6SH England.  
**Customer Service Department**  
0371 231 3513

**assembly** Warning! Adult assembly required.



**features:**



- 1. POWER ON/OFF SWITCH**
- 2. 3 DEMO KEYS**  
Select a demo song as background music and drum along to the beat.
- 3. RHYTHM SELECT KEY**  
Select from 5 rhythms as background music and drum along to the beat.
- 4. 2 DRUM STYLE KEYS**  
Press the Drum Style Key to select which drum style you want to play and use the drum sticks to hit the drum pads to make 4 different drum sounds.
- 5. VOLUME UP OR DOWN CONTROL KEY**  
Press the Volume up/down to adjust the volume level.
- 6. TEMPO UP OR DOWN CONTROL KEY**  
Press the Tempo up/down to control the rhythm speed.
- 7. RECORD KEY**  
Press to start the recording feature. Hit the drum pads and record your own drum beat.
- 8. PLAY KEY**  
Press the play key to hear your recorded drum beat.
- 9. STOP KEY**  
Press to stop all the demo songs and reset the recording feature.
- 10. DRUM PADS**
- 11. FOOT PEDAL**
- 12. BASS DRUM**
- 13. FLASHING LIGHTS**
- 14. STOOL**
- 15. MP3 PLAYER STORAGE COMPARTMENT**  
(MP3 player not included)
- 16. MP3 MUSIC CORD**
- 17. 2 DRUM STICKS AND HOLDER**