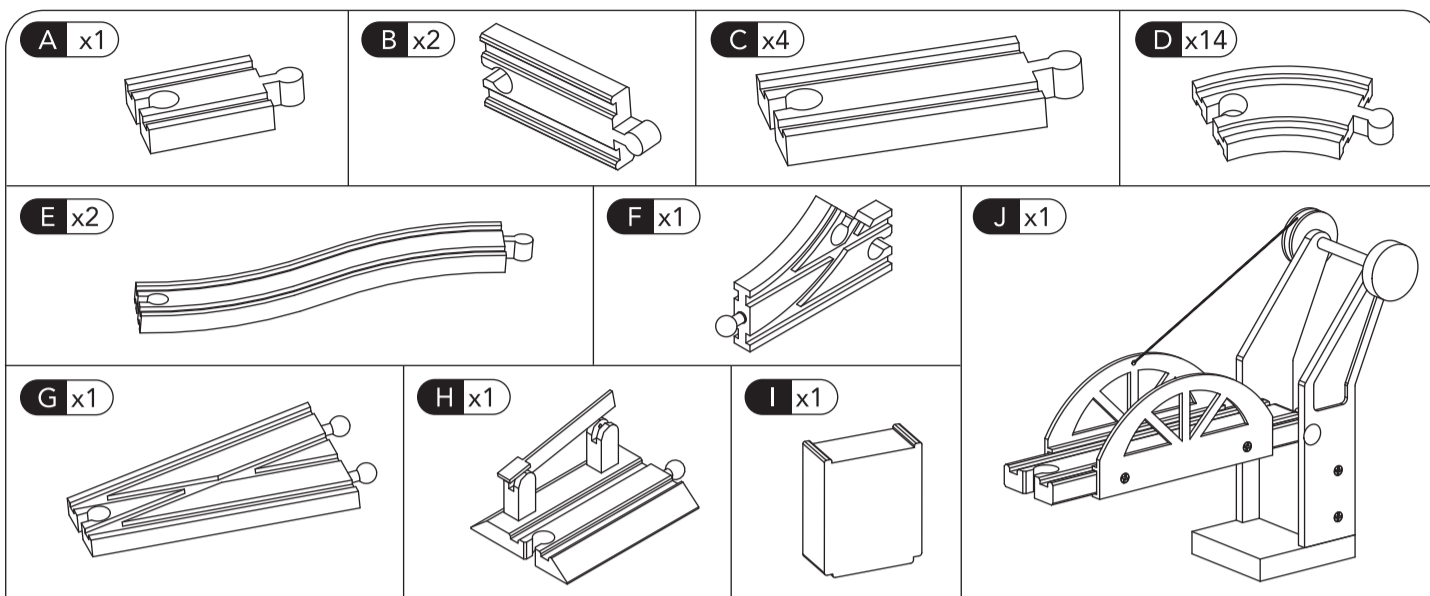
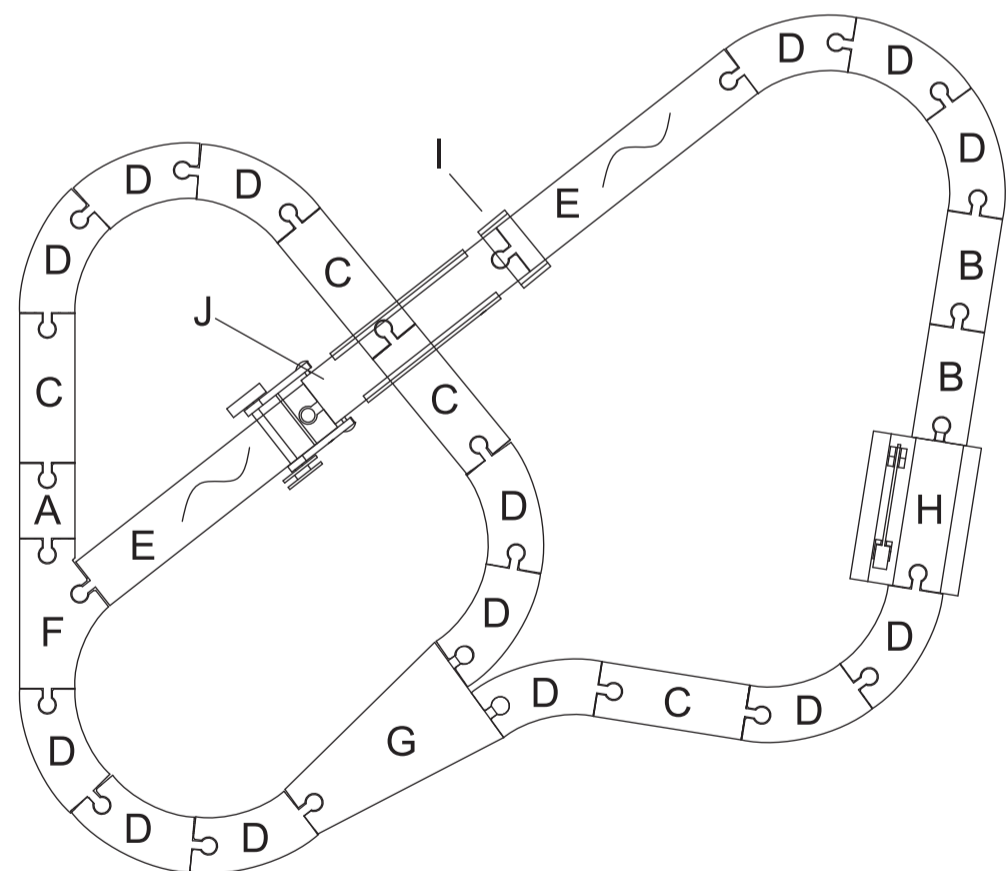
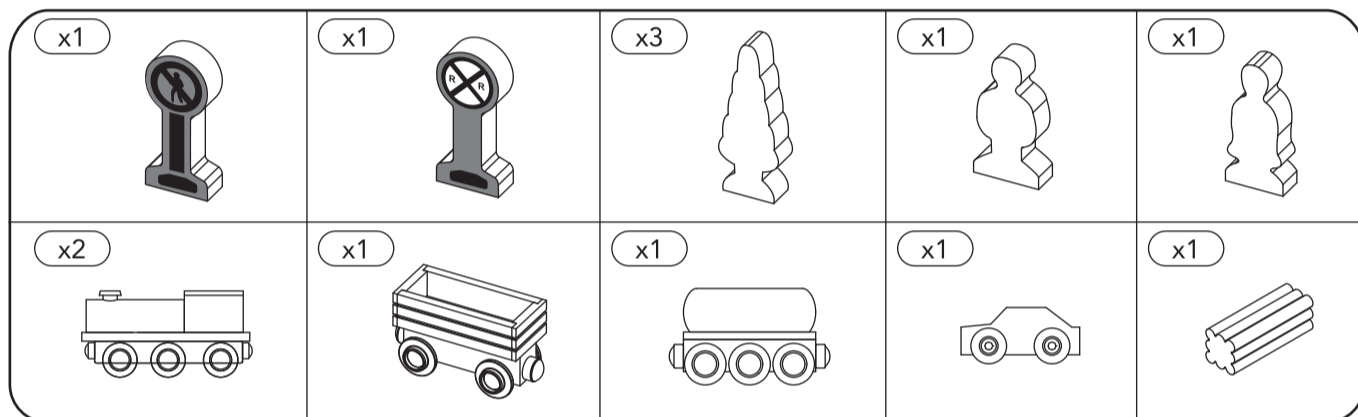


contents

** Please make sure to count all hardware and components before you begin assembling the product.



accessories



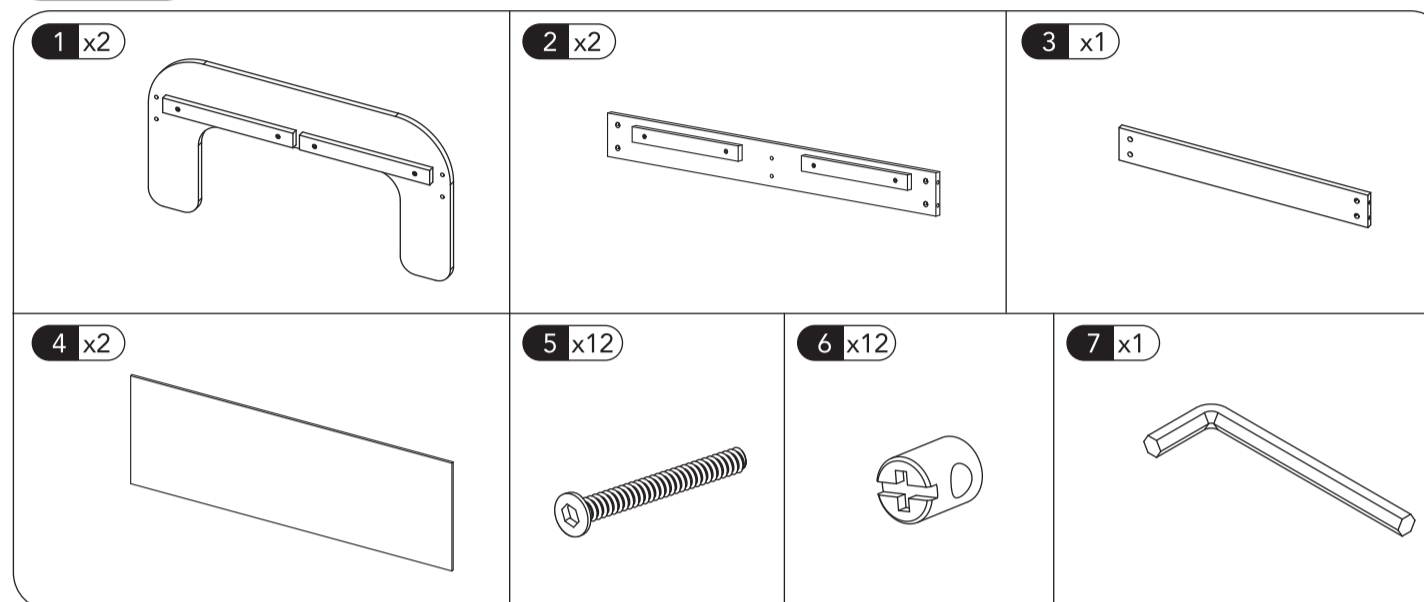
lifting bridge rail playtable
user guide

143439 0216
Early Learning Centre
Watford WD24 6SH England.

Customer Service Department
0371 231 3513

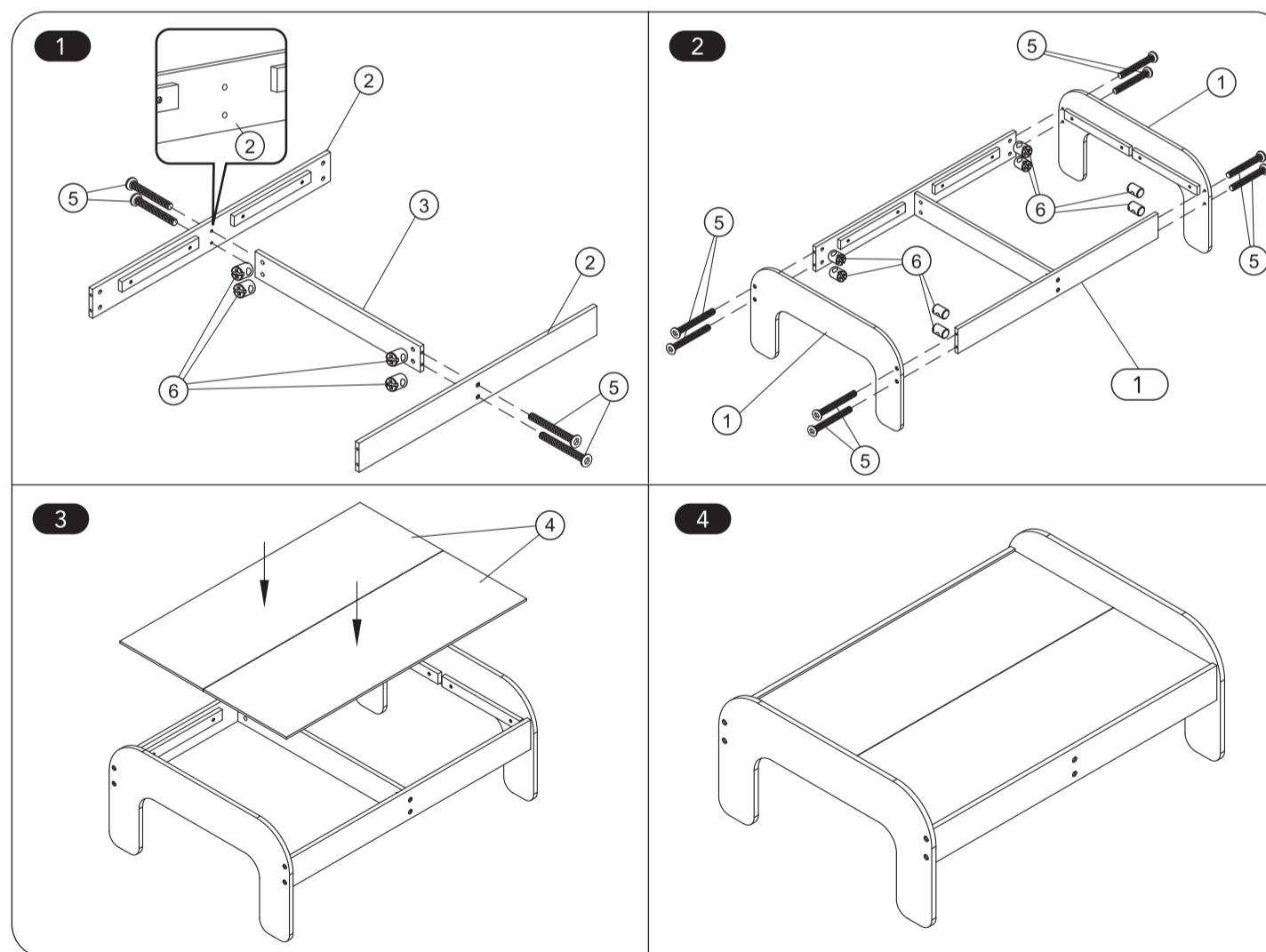
contents

Adult assembly required
In an unassembled state product contains sharp points which may cause injury if misused. Not suitable for children under 3 years



assembly

** Please make sure to count all hardware and components before you begin assembling the product.



early learning centre AW16

sku number : 143439
product : Lifting Bridge Rail Playtable
pack dimensions : A4
supplier : maxim category : A&A
date : 29 February 2016 designer : Lin

colours:



Black

approval	date	signature
packaging manager		
copywriter		
QA		
product manager		

NOTE: The spot colour is not accurate (simulated using CMYK) in this digital proof, please refer to the Pantone specification (or our colour key).