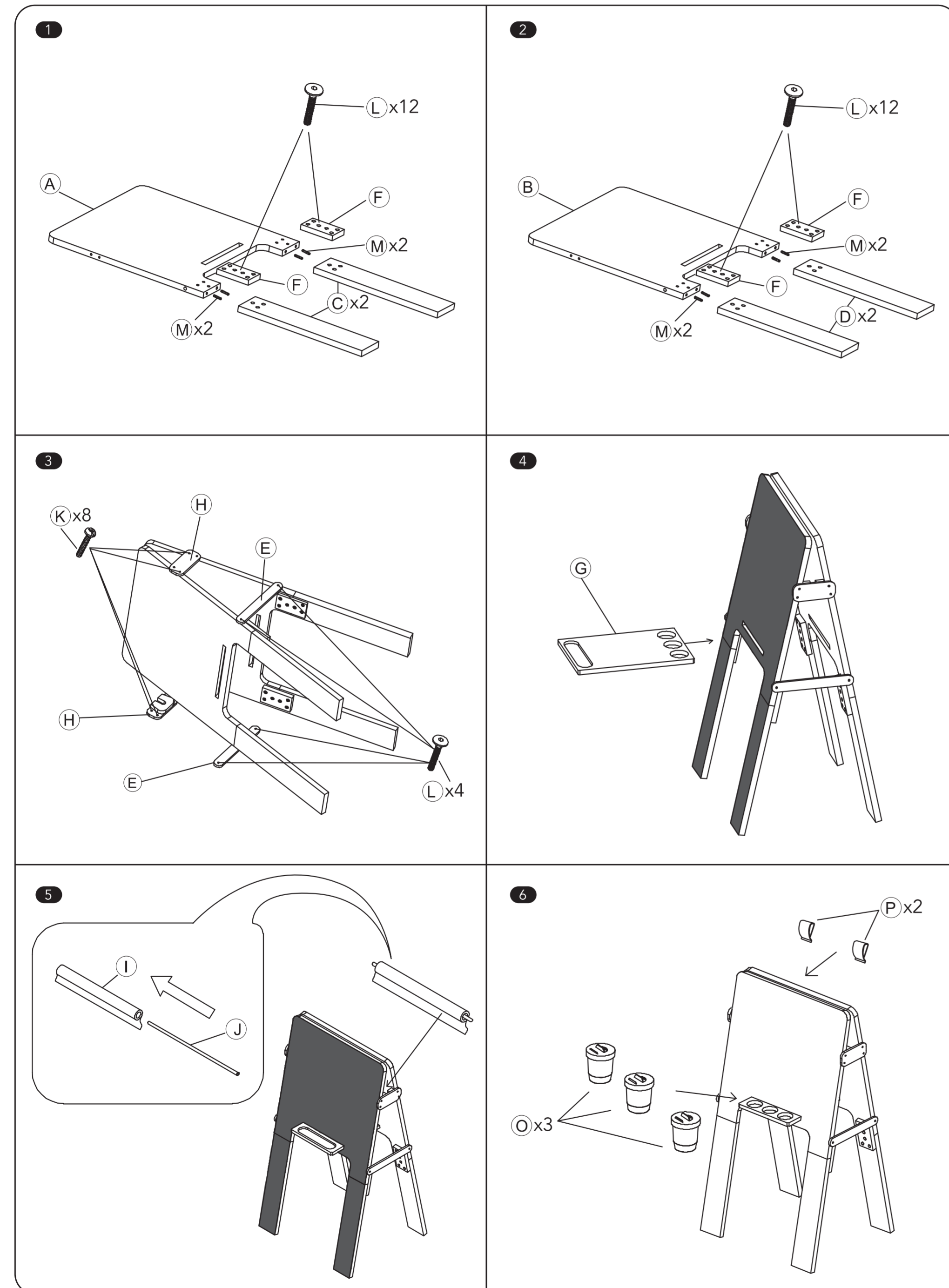




approval	date	signature
packaging manager		
copywriter		
QA		
product manager		

assembly



BACK



wooden easel
 user guide

142587 0815
 Early Learning Centre®
 Watford WD24 6SH England.

Customer Service Department
 0371 231 3513

parts checklist

Equipment Needed : 1 x cross head screwdriver

A x1 	B x1 	C x2
D x2 	E x2 	F x4
G x1 	H x2 	I x1
J x1 Ø 15x750mm	K x8 Ø 4.5x20mm	L x28 Ø 6x25mm
M x8 Ø 8x30mm	N x1 	O x3
		P x2

FRONT