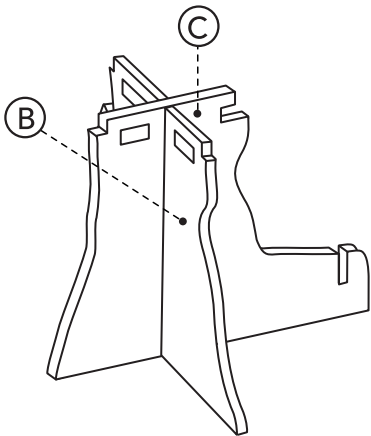
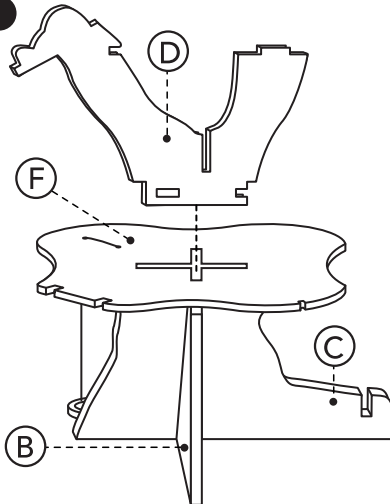


assembly

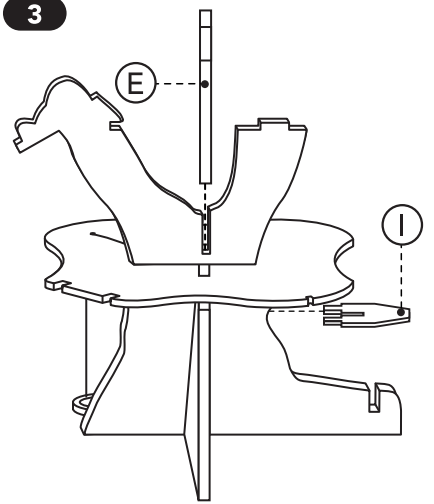
1



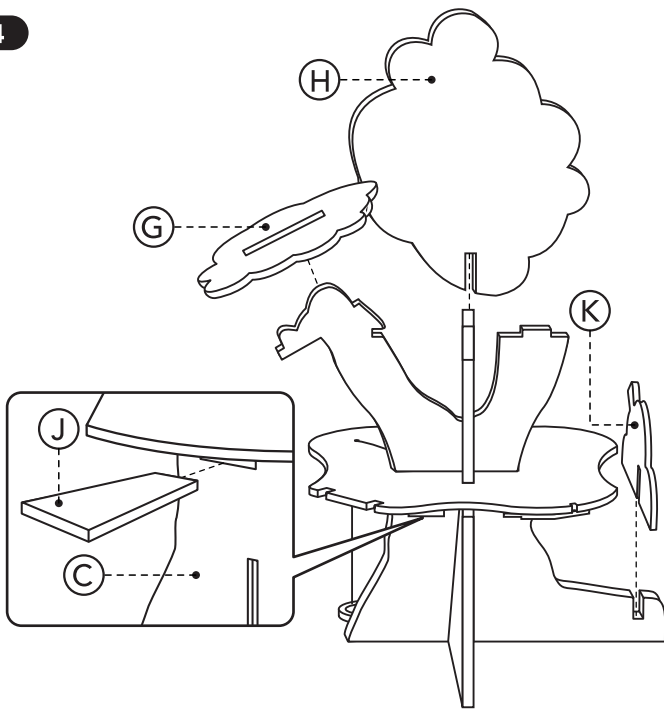
2



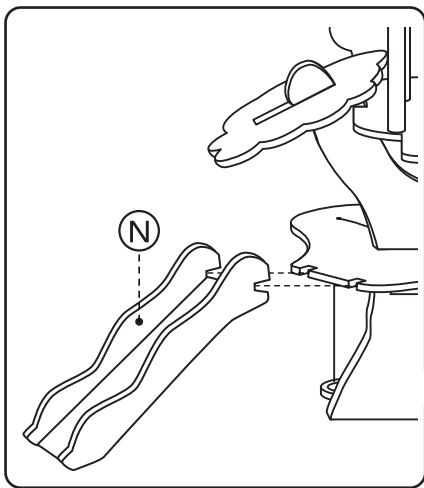
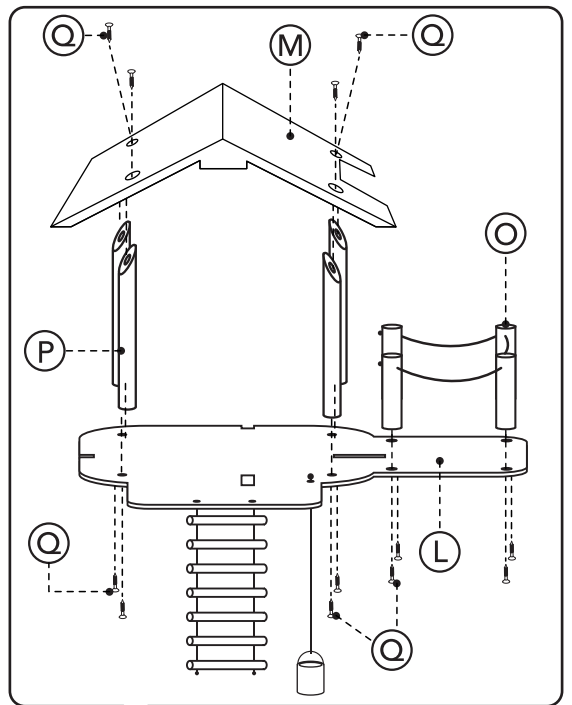
3



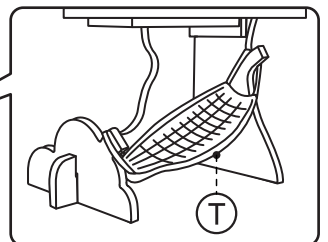
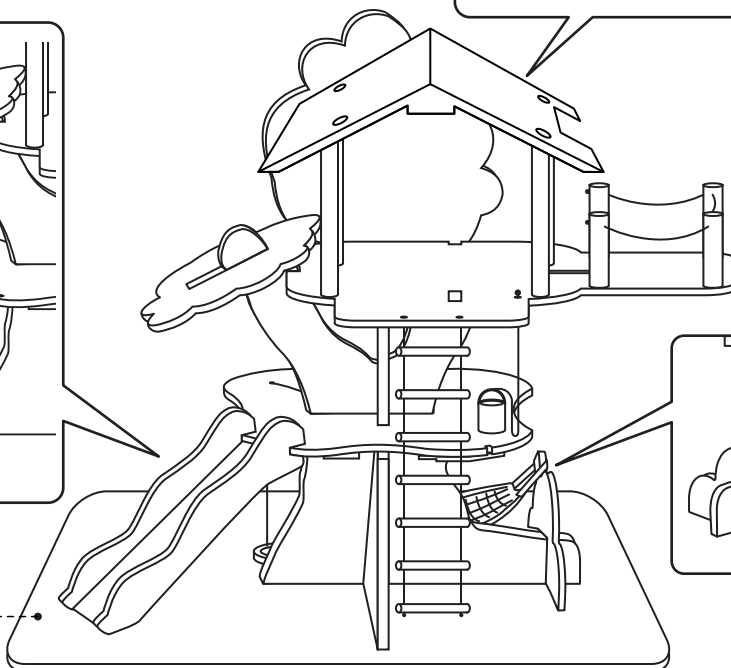
4



5



A





# Rosebud Tree House

user guide

142510

0915

Early Learning Centre®  
Watford WD24 6SH England.

Customer Service Department  
0371 231 3513

## parts checklist

<b>A x1</b> 	<b>B x1</b> 	<b>C x1</b> 	
<b>D x1</b> 	<b>E x1</b> 	<b>F x1</b> 	
<b>G x1</b> 	<b>H x1</b> 	<b>I x1</b> 	<b>J x1</b> 
<b>L x1</b> 	<b>M x1</b> 	<b>N x1</b> 	<b>P x4</b> 
<b>R x1</b> 	<b>S x2</b> 	<b>O x1</b> 	<b>Q x12</b> 
<b>T x1</b> 	<b>U x1</b> 		