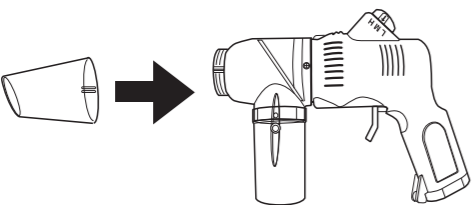
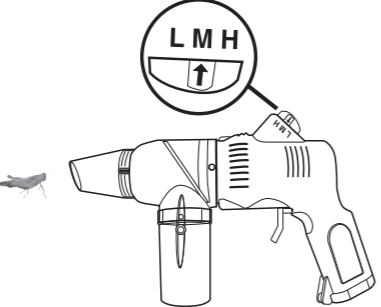
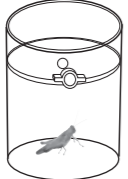
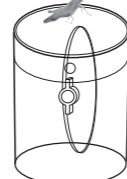


<p>3</p>  <p>Install the nozzle.</p>	<p>4</p>  <p>Place the nozzle next to the bug and activate the vacuum by pressing the trigger. You can adjust the power by turning the power knob on the top of the Bug Collector. It is recommended to start with the low "L" power to gently pull the bug into the container. You may adjust to a higher power if you are catching a bigger bug.</p>
<p>5</p>  <p>Rotate the trap door to the CLOSE position. You can observe the bug through the container or the magnifying lens on the trap door.</p>	<p>6</p>  <p>To release the insect, open the trap door and tilt the container as shown.</p> <p>To clean the Bug Collector, use a damp cloth. Avoid getting the collector wet. If this happens, dry off the toy as soon as possible.</p>

Warning

WARNING!

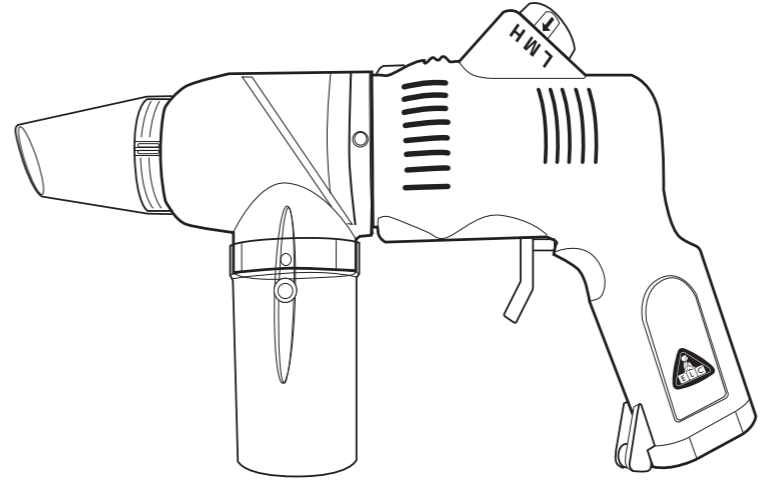
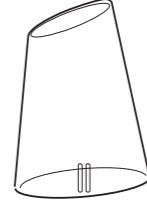
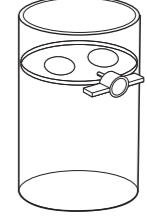
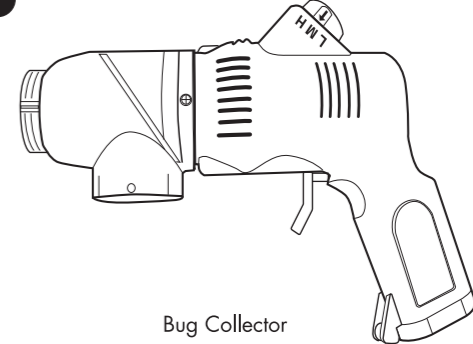
- This toy is not intended for children under 3 years old.
- Keep this instruction manual. It contains important information.

Catch and Release

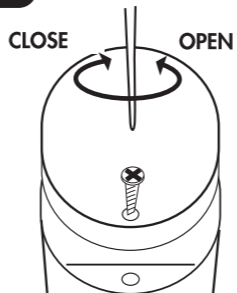
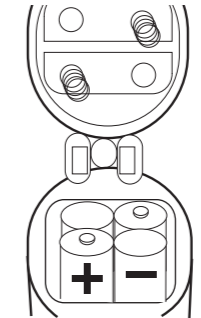
- Use the "Catch and Release" system. Observe insects in the capture bottle; do not touch them. When finished, open the bottle and let them go.
- Insects are fragile! Do not touch any of the insects as you may harm them.
- Do not collect bugs that may get frightened and bite or sting you.
- Only collect insects that you recognize and know are harmless.
- If you are unsure whether the insect is harmless, do not collect it or ask your parent or guardian first.

 <p>bug collector</p> <p>user guide</p>	<p>142497 0815 Early Learning Centre® Watford WD24 6SH England.</p> <p>Customer Service Department 0371 231 3513</p>
---	--

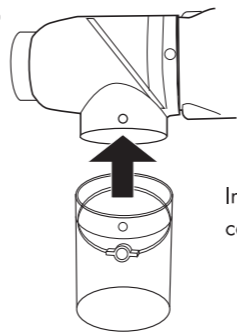
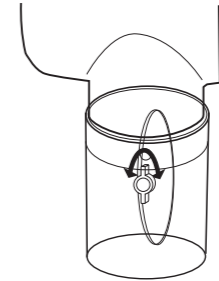
parts checklist

<p>A x1</p> 	<p>1</p>  <p>Nozzle</p>	<p>2</p>  <p>Container</p>
<p>3</p>  <p>Bug Collector</p>		

instructions - battery

<p>1</p>  <p>CLOSE OPEN</p> <p>Open or close the cover with a cross-head screwdriver.</p>	<p>2</p>  <p>Insert four 4 AA (LR6) 1.5V batteries.</p>
---	---

instructions - operation

<p>1</p>  <p>Install a collection container as shown.</p>	<p>2</p>  <p>Rotate the trap door to the OPEN position.</p>
---	---