

single size A3



key-boom-board™
user guide

141719/143623 0216

Early Learning Centre®
Watford WD24 6SH England.

Customer Service Department
0371 231 3513

parts checklist

1 x1	2 x1	3 x2		
4 x4	5 x1	7 x1	8 x1	9 x1
	6 x1			
10 x2	11 x1	12 x1		
13 x1				

early learning centre AW16

colours:



approval	date	signature
packaging manager		
copywriter		
QA		
product manager		

sku number : 141719/143623

product : key-boom-board

pack dimensions : 297mm(H) x 420mm(W)

supplier : HONORGENS

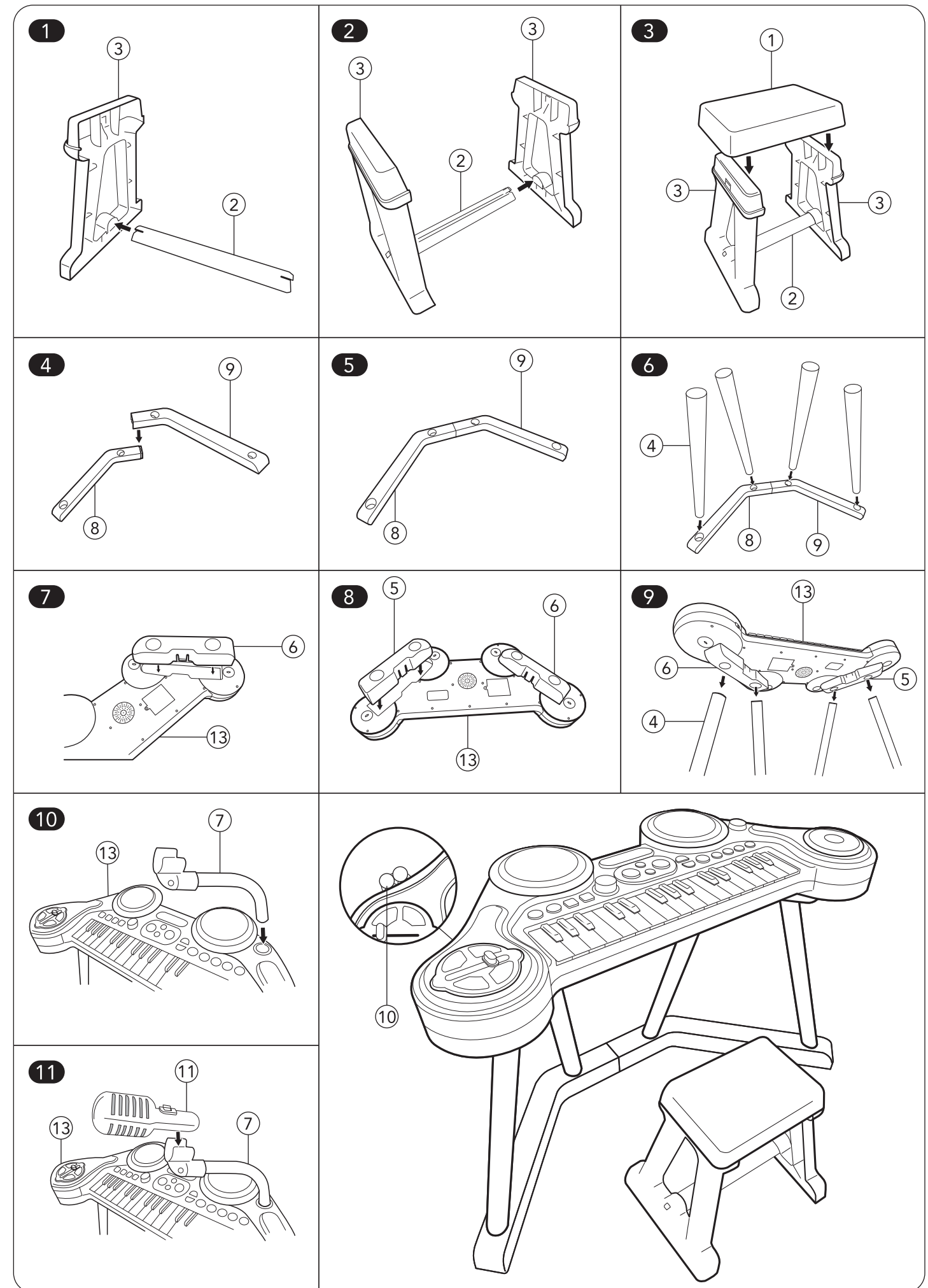
category : Music

date : 19 Feb 2016

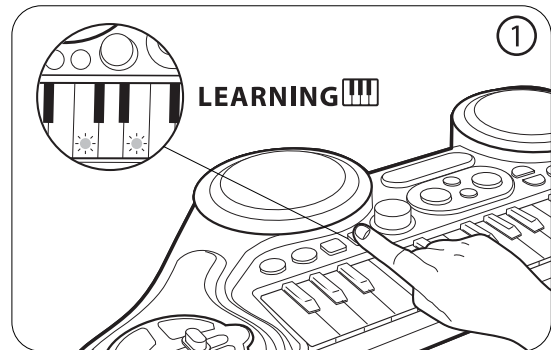
designer : Dorothy

assembly

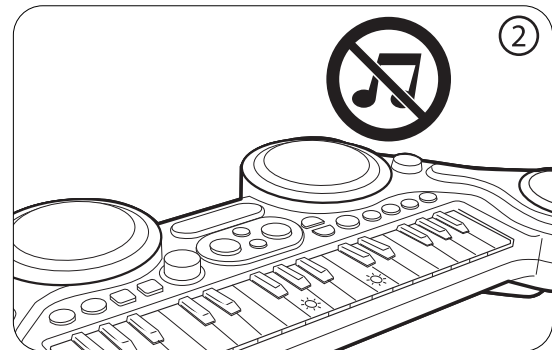
Warning! Adult assembly required.



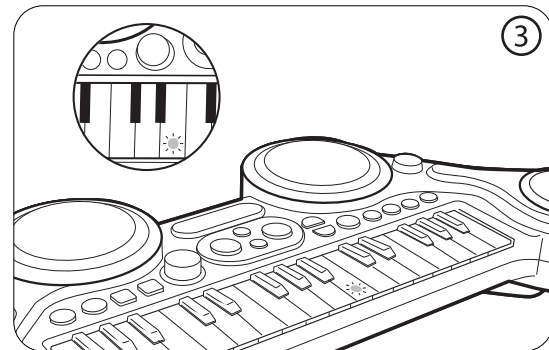
Learning mode – Keyboard



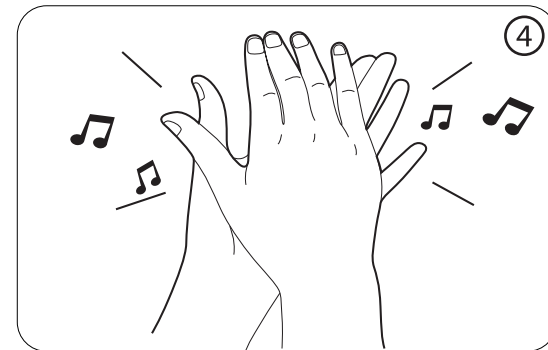
- Press the “Learning-keyboard” button to hear a demo song and see the keys light up.
- 6 songs to learn.
- Stop the song by pressing any key.



- After the song is finished or if any key is pressed, the learning mode will begin. The correct key will light up with no sound.

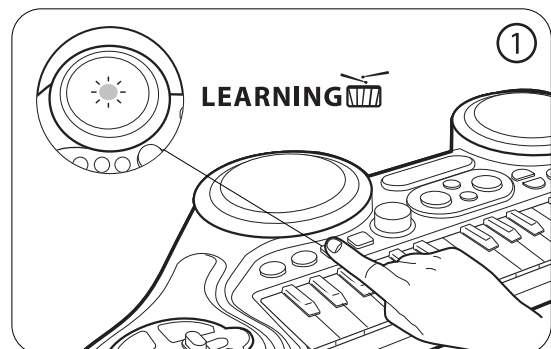


- The player will have to follow the light up keys to play the song.
- If the player makes a mistake and plays a wrong note, that particular key will still light up with sound, but the correct key will remain lit until it is played.

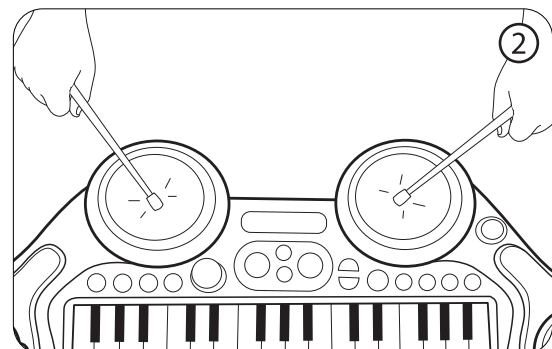


- When the player completes a learning song, he or she will be rewarded with clapping sounds.

Learning mode – Drum

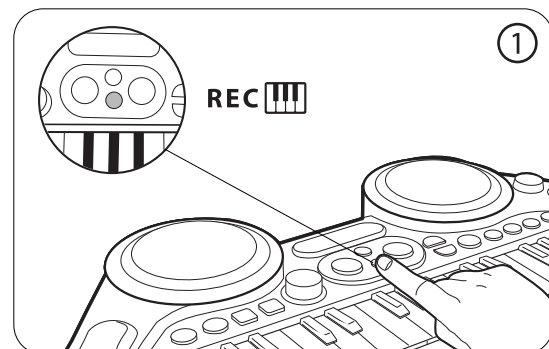


- Press the “Learning-drum” button to hear a demo song with light-up drum pads.
- 6 songs to learn.

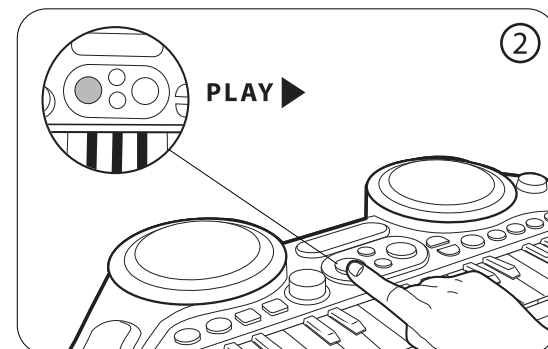


- Players can learn to play the drums (with the drum sticks) by following the light-up drum pads.

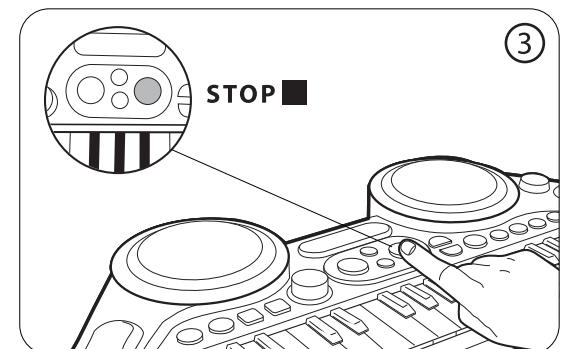
Recording mode – Keyboard



- Press the “Record” button to record piano, scratch disc and drum sounds.
- One recording can record a maximum of 60 notes.

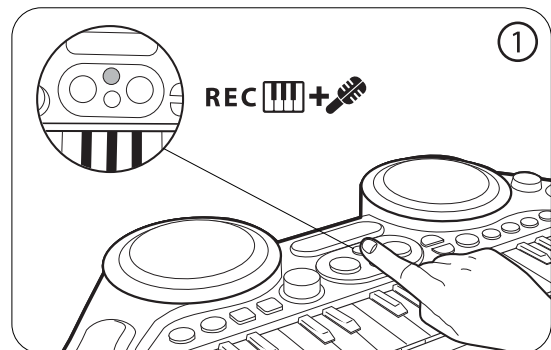


- Press the “Play” button to hear your previous recording. The instrument sound that is played back will be the last instrument selected on the keyboard.

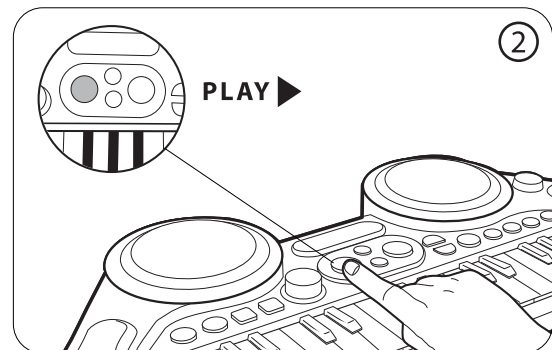


- Recording will be erased when you press the “Stop” or “Record” button again. Recording will also be erased if any rhythm or demo key is pressed, and when you turn the unit off.

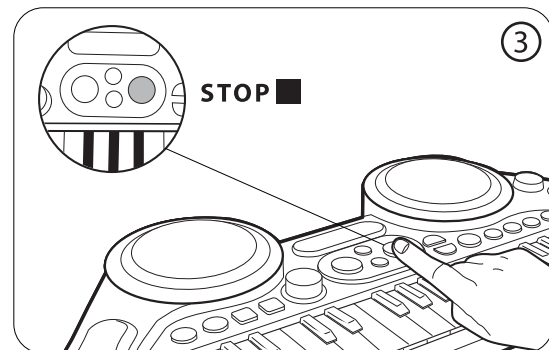
Recording mode – Keyboard & Microphone



- Press the “Keyboard & Microphone” button to record piano, scratch disc, drum and microphone sounds.
- One recording can record a maximum of 60 notes, or 3 minutes. No voice will be heard from the speaker during recording.



- Press the “Play” button to hear your previous recording.
- The instrument sound that is played back will be the last instrument selected on the keyboard.



- Recording will be erased when you press the “Stop” or Record” button again. Recording will also be erased if any rhythm or demo key is pressed, and when you turn the unit off.