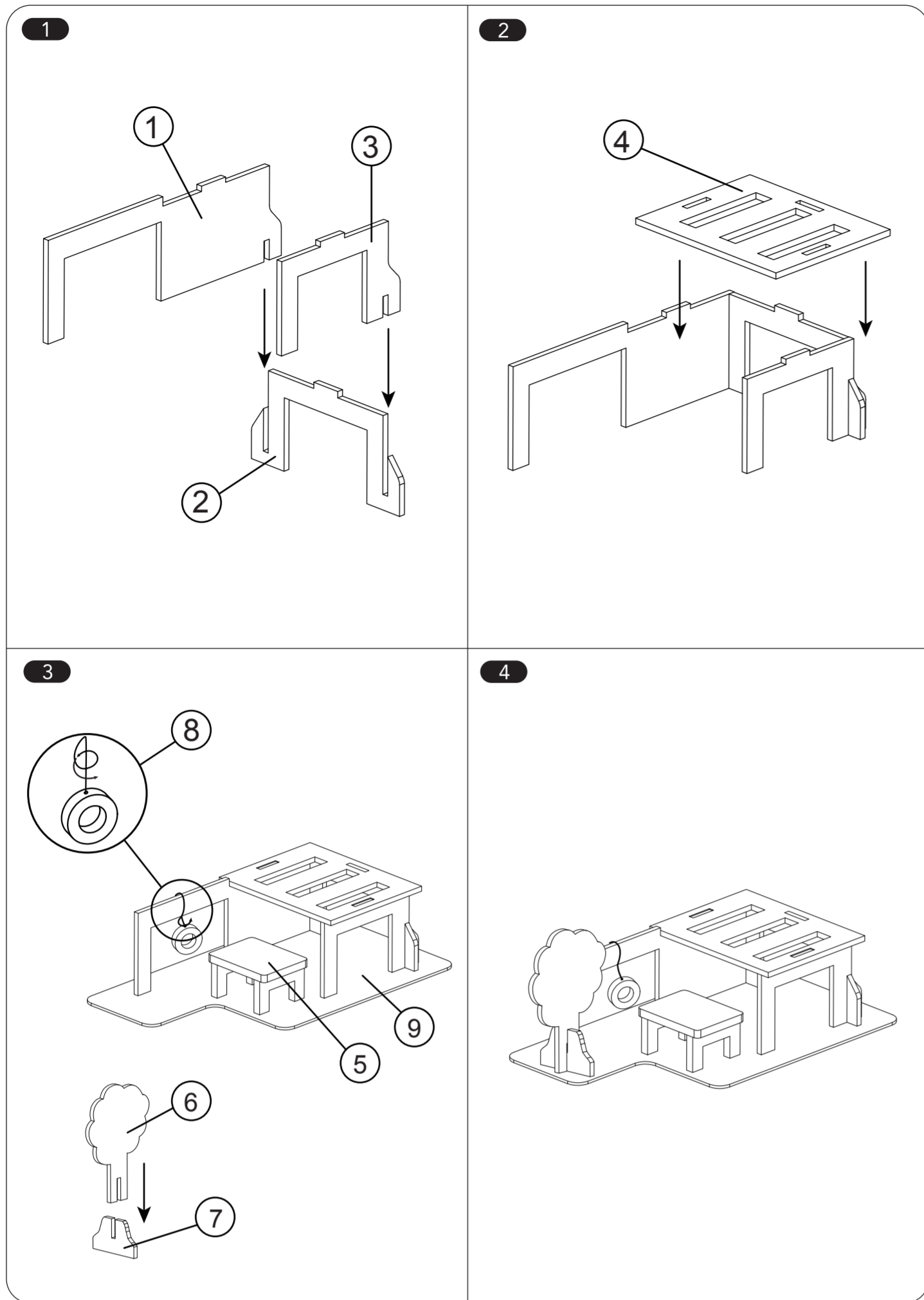


assembly instruction - safari set

** Please make sure to count all components before you begin assembling the product.



4

early learning centre AW15

colours:



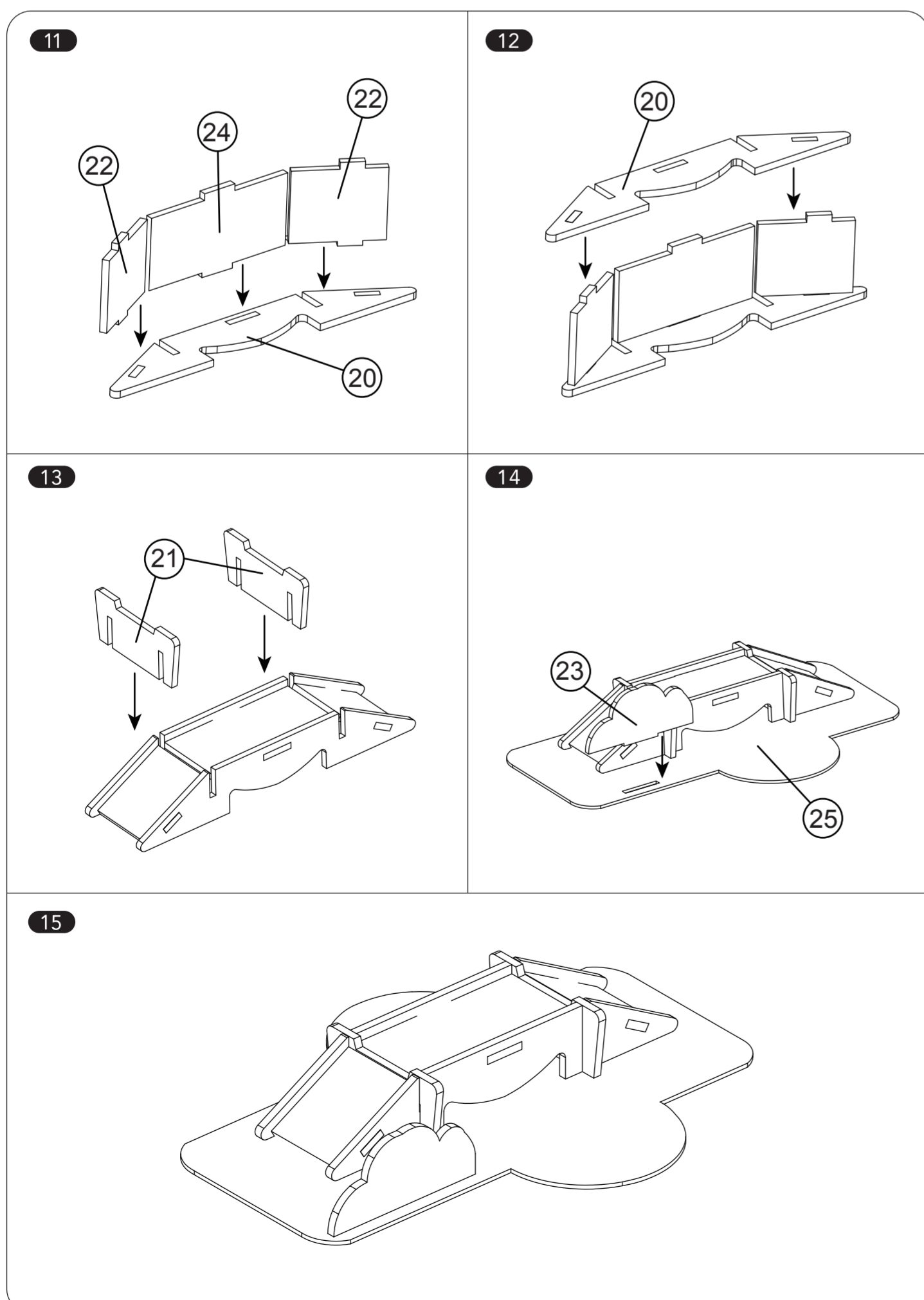
sku number : 141446
product : Wooden Safari set
pack dimensions : A3
supplier : Green wood category : A n A
date : 7 April 2015 designer : Man

approval	date	signature
packaging manager		
copywriter		
QA		
product manager		

NOTE: The spot colour is not accurate (simulated using CMYK) in this digital proof, please refer to the Pantone specification (or our colour key).

assembly instruction - farm set

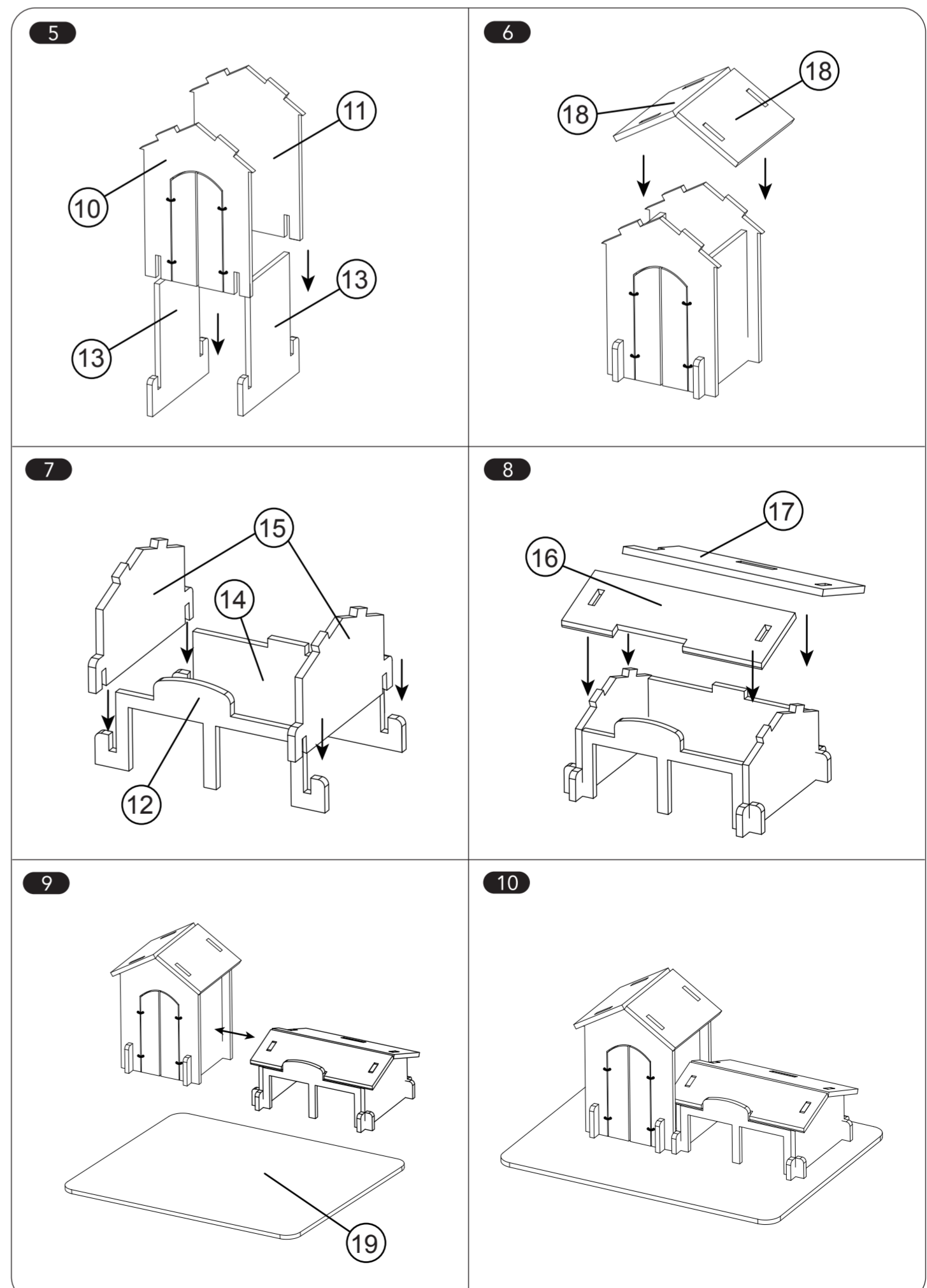
** Please make sure to count all components before you begin assembling the product.



2

assembly instruction - farm set

** Please make sure to count all components before you begin assembling the product.



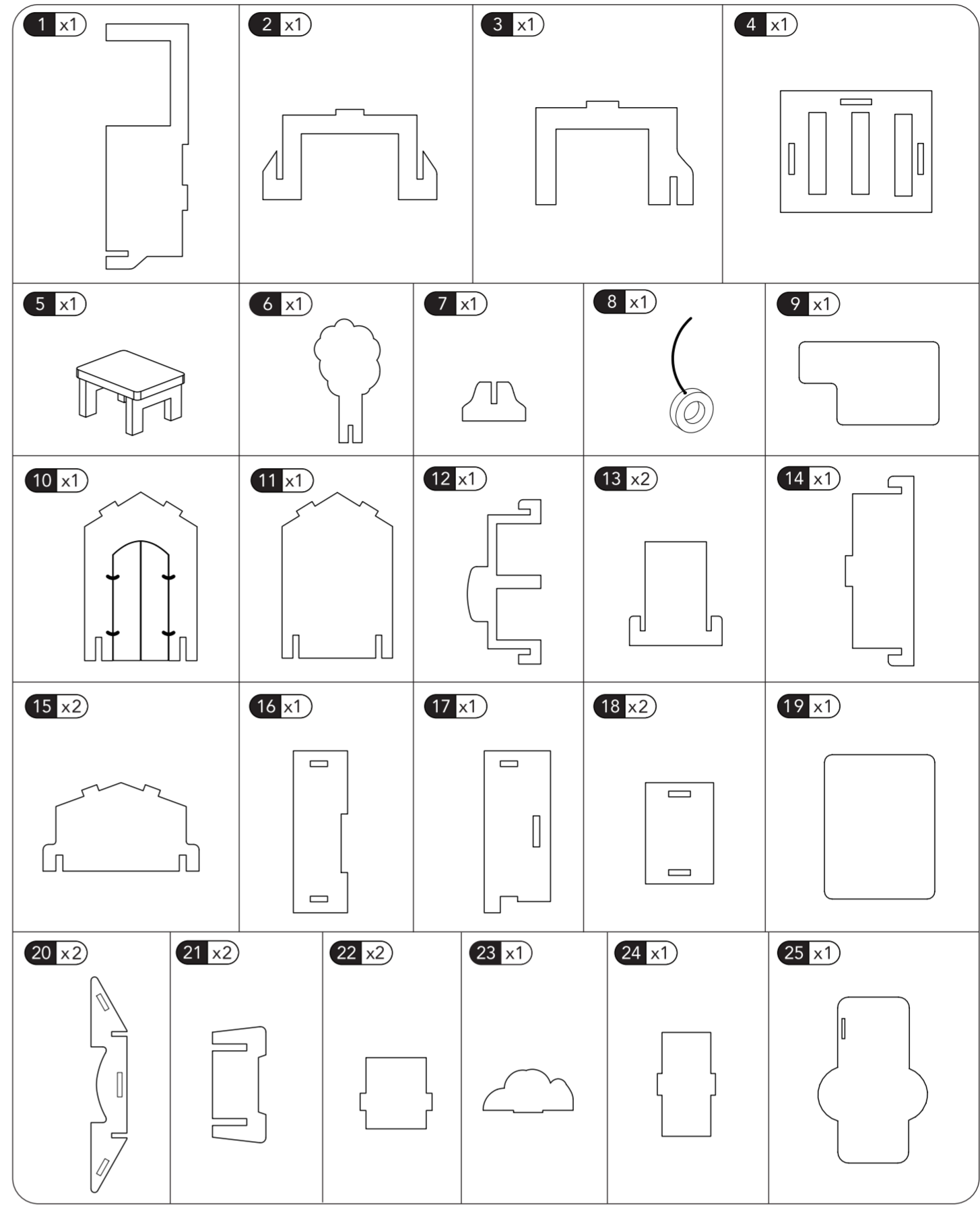
3



wooden safari set
user guide

141446 0415
Early Learning Centre
Watford WD24 6SH England.
Customer Service Department
0371 231 3513

contents Adult assembly required
In an unassembled state product contains sharp points which may cause injury if misused. Not suitable for children under 3 years



1