



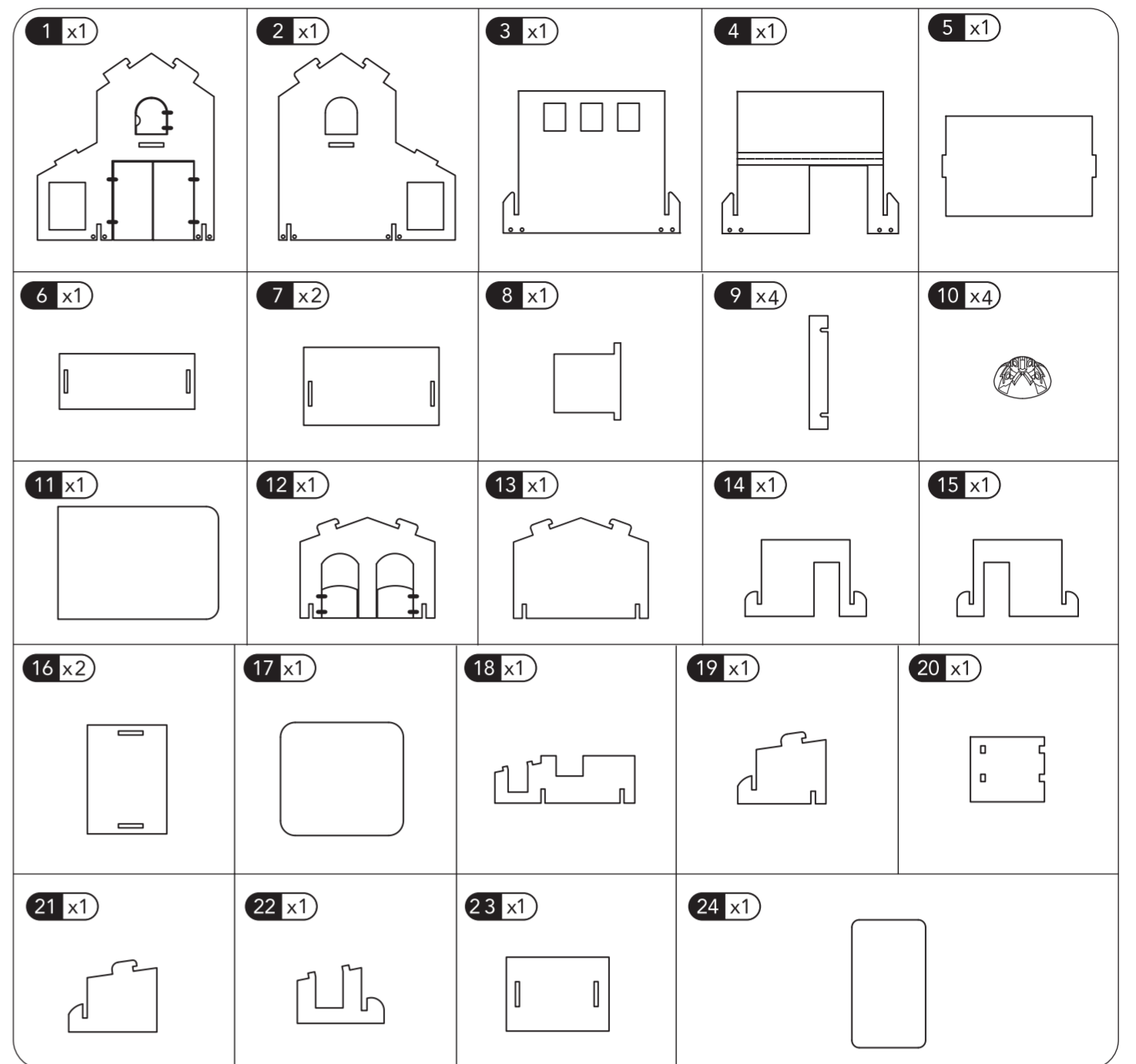
wooden farm set

user guide

141445 0415
Early Learning Centre
Watford WD24 6SH England.

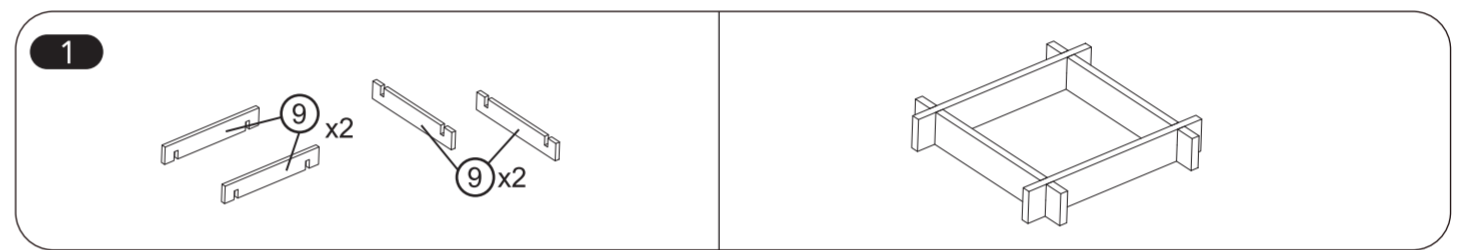
Customer Service Department
0371 231 3513

contents Adult assembly required
In an unassembled state product contains sharp points which may cause injury if misused. Not suitable for children under 3 years




assembly instruction - farm set

** Please make sure to count all components before you begin assembling the product.



1

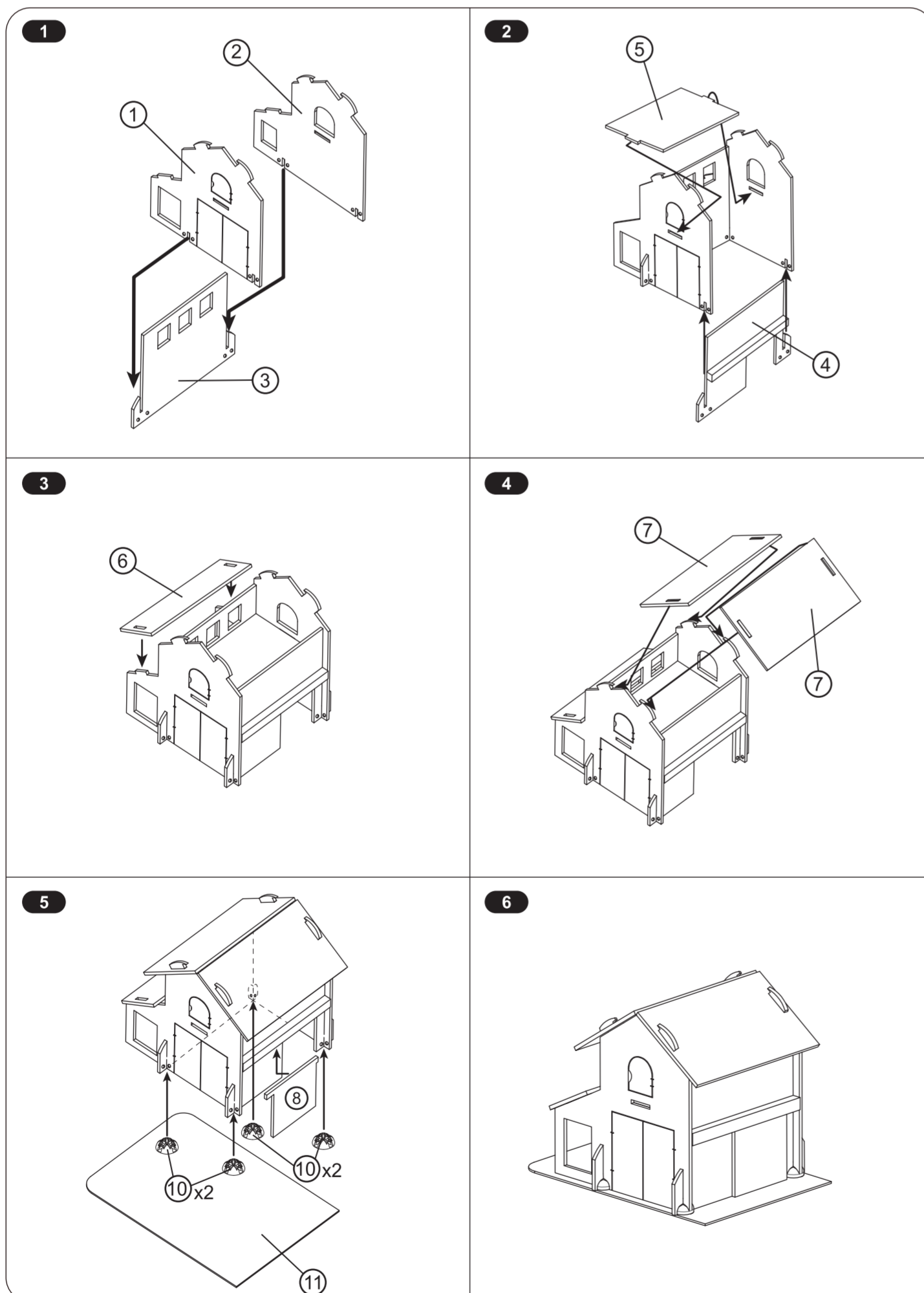
4

early learning centre AW15	colours:	approval	date	signature	
sku number : 141445	 Black	packaging manager			
product : Wooden farm set		copywriter			
pack dimensions : A3		QA			
supplier : Green wood		category : A n A	product manager		
date: 2 April 2015		designer : Man			

NOTE: The spot colour is not accurate (simulated using CMYK in this digital proof, please refer to the Pantone specification (or our colour key).

assembly instruction - farm set

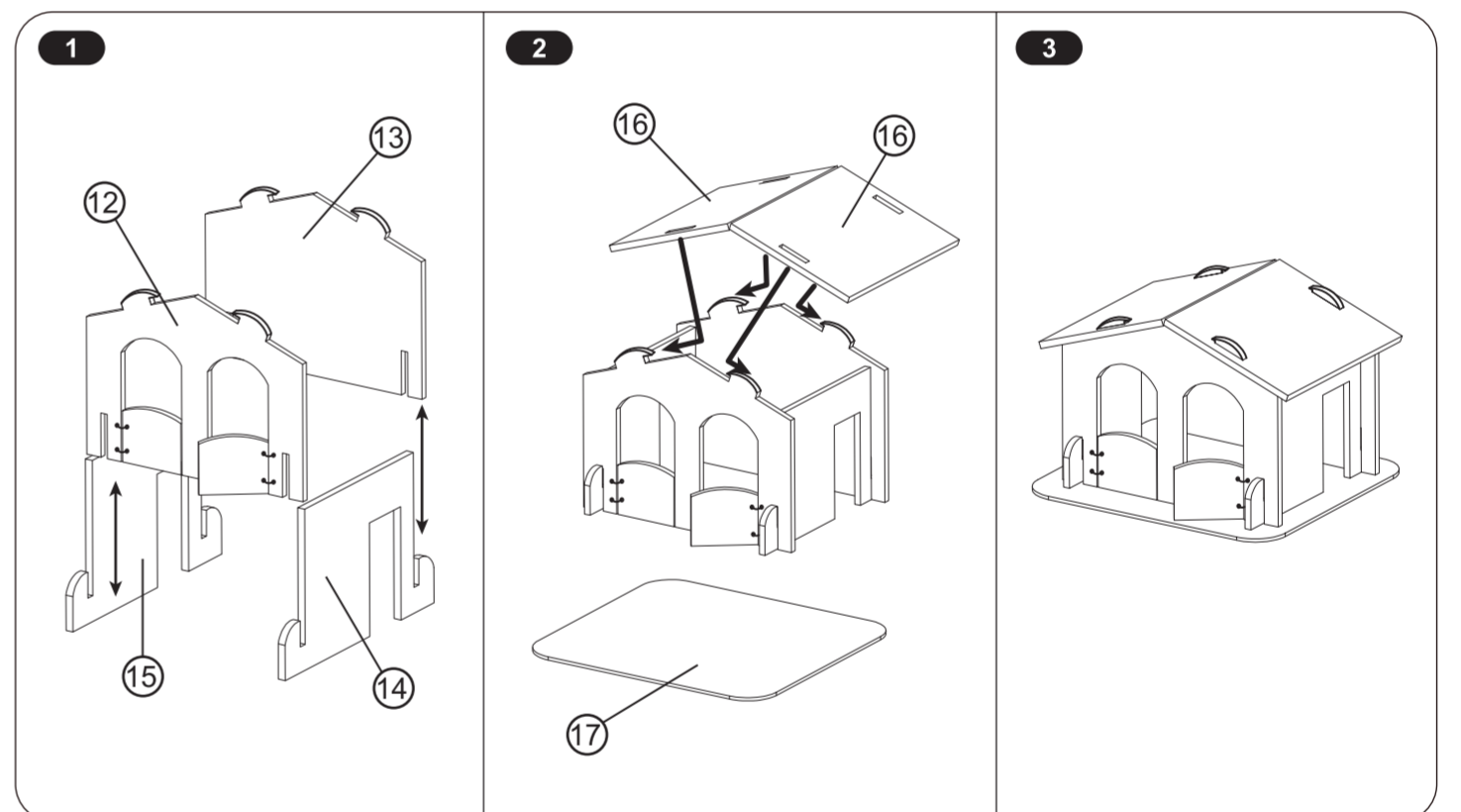
** Please make sure to count all components before you begin assembling the product.



2

assembly instruction - farm set

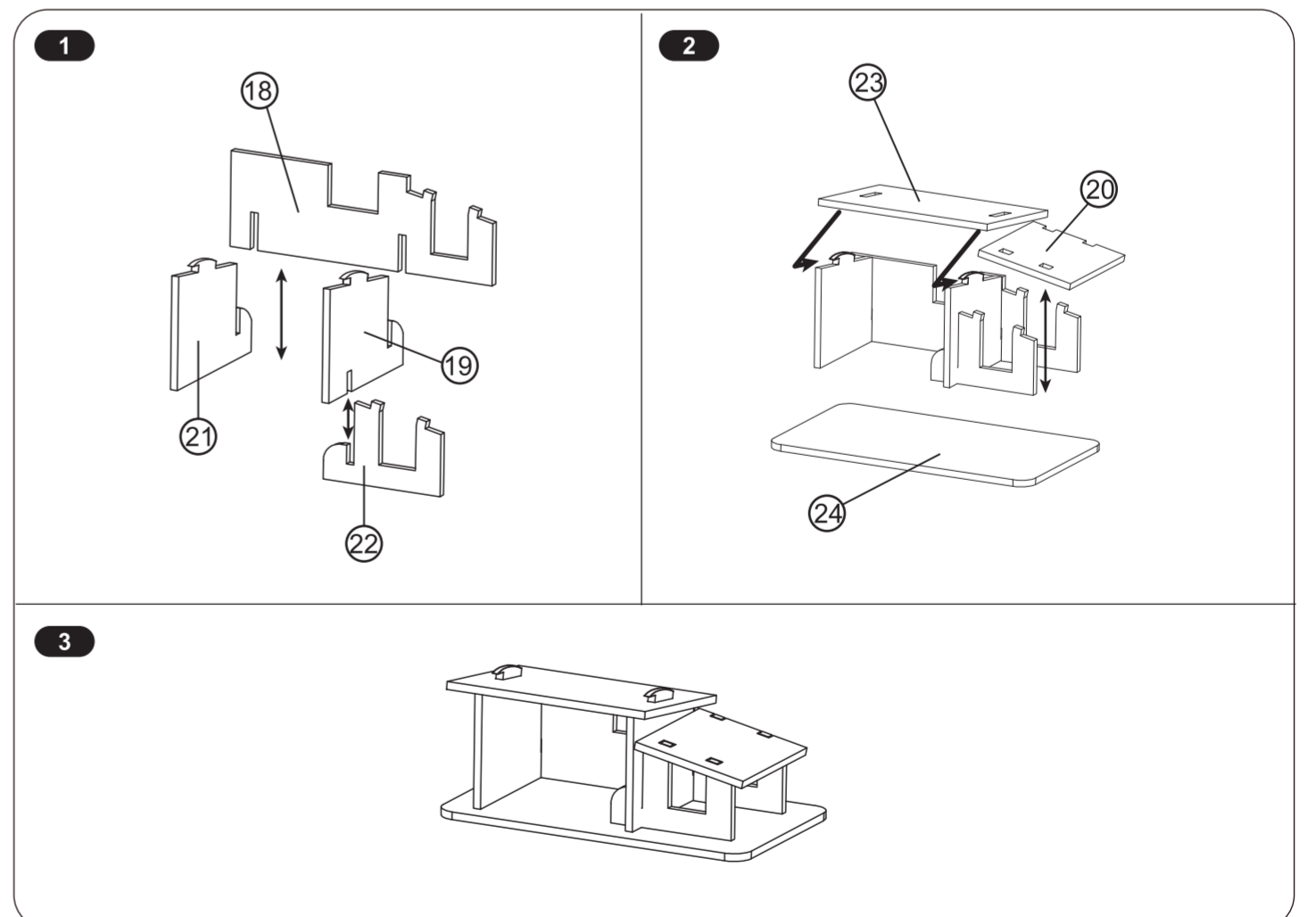
** Please make sure to count all components before you begin assembling the product.



3

assembly instruction - farm set

** Please make sure to count all components before you begin assembling the product.



3