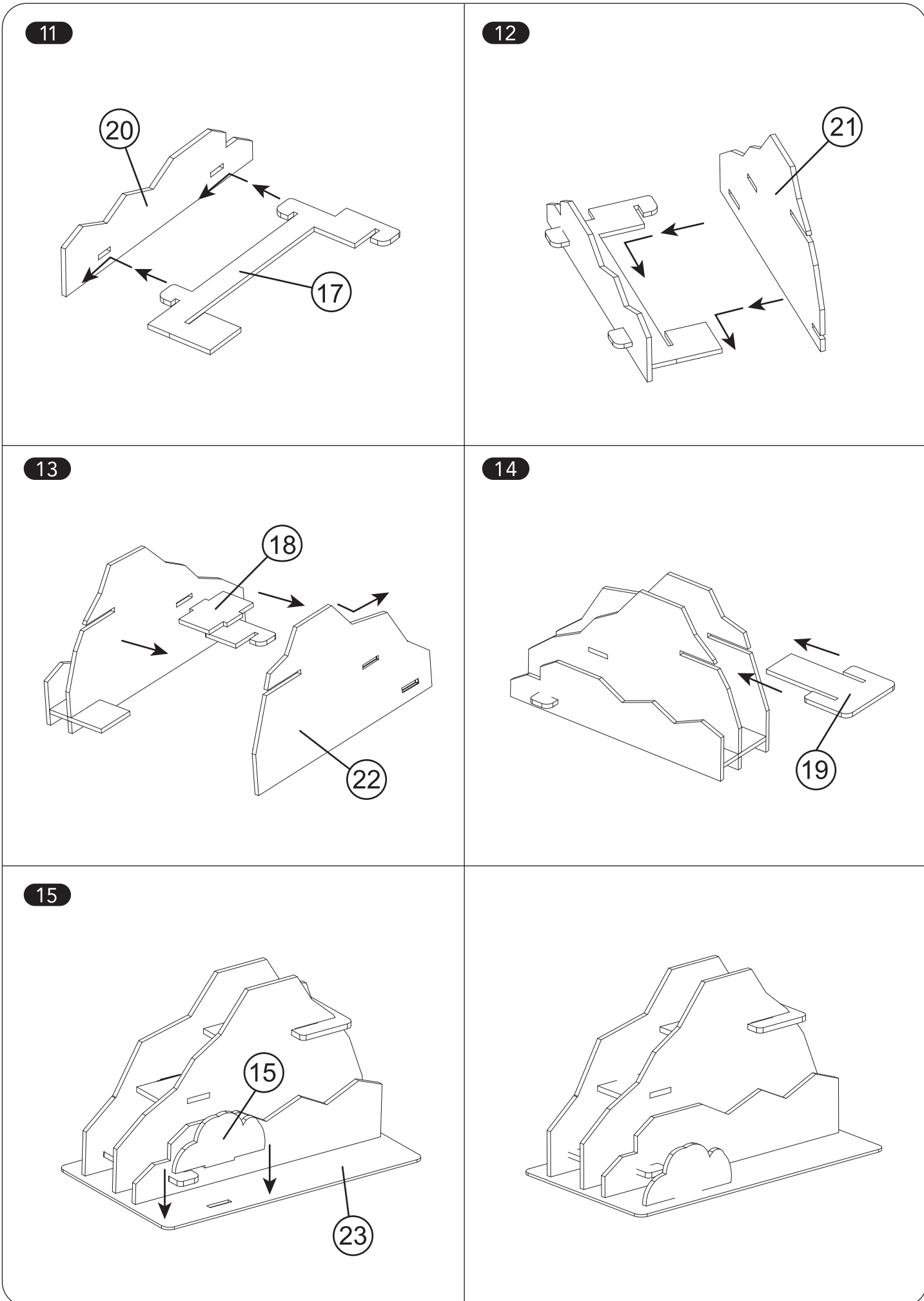


assembly instruction - dino set

** Please make sure to count all components before you begin assembling the product.



4



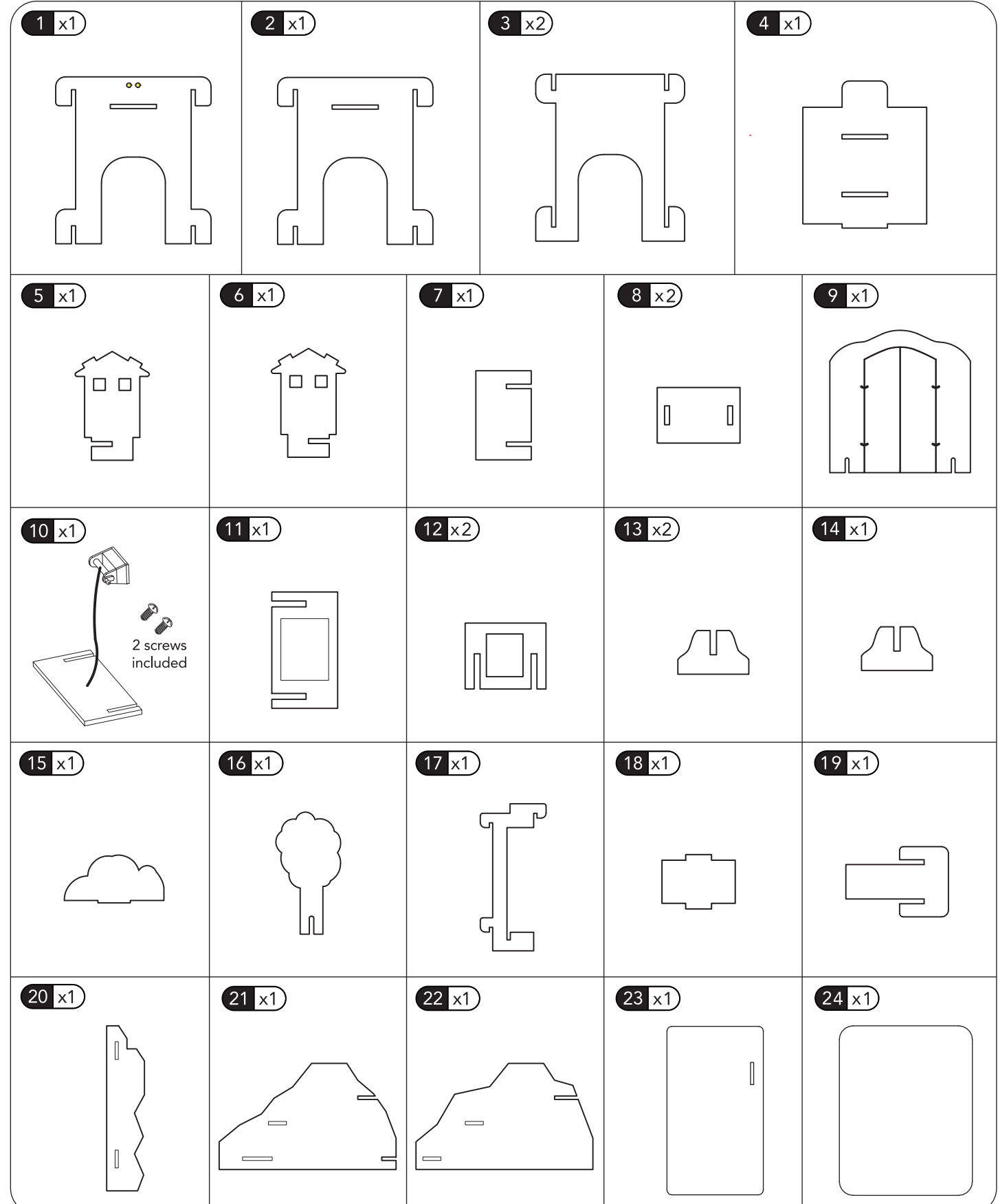
wooden dino set
user guide

141444 0415
Early Learning Centre
Watford WD24 6SH England.

Customer Service Department
0371 231 3513

contents

Adult assembly required
In an unassembled state product contains sharp points which may cause injury if misused. Not suitable for children under 3 years



1

early learning centre AW15

colours:



Black

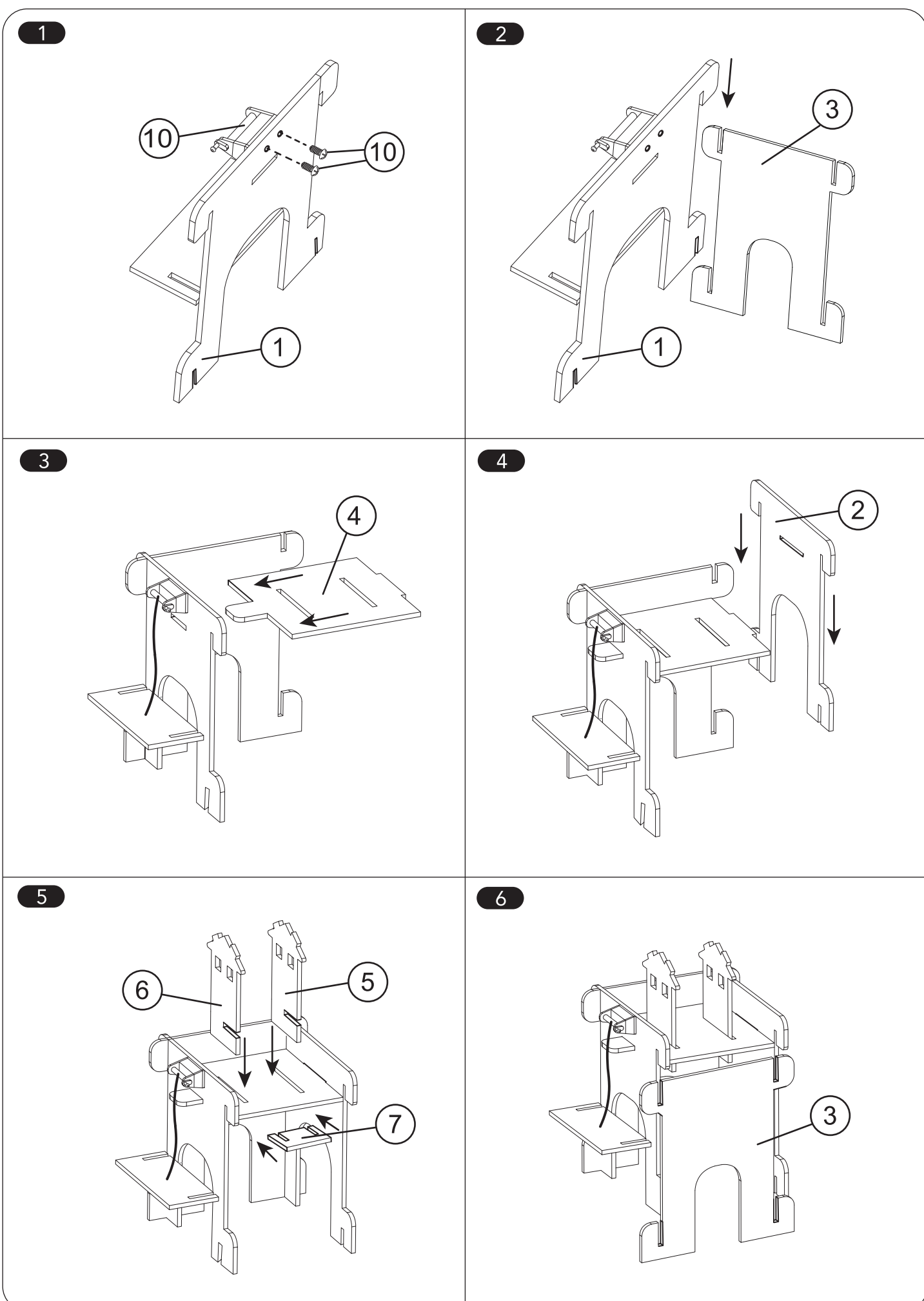
sku number : 141444
product : Wooden dino set
pack dimensions : A3
supplier : Green wood category : A n A
date : 2 April 2015 designer : Man

approval	date	signature
packaging manager		
copywriter		
QA		
product manager		

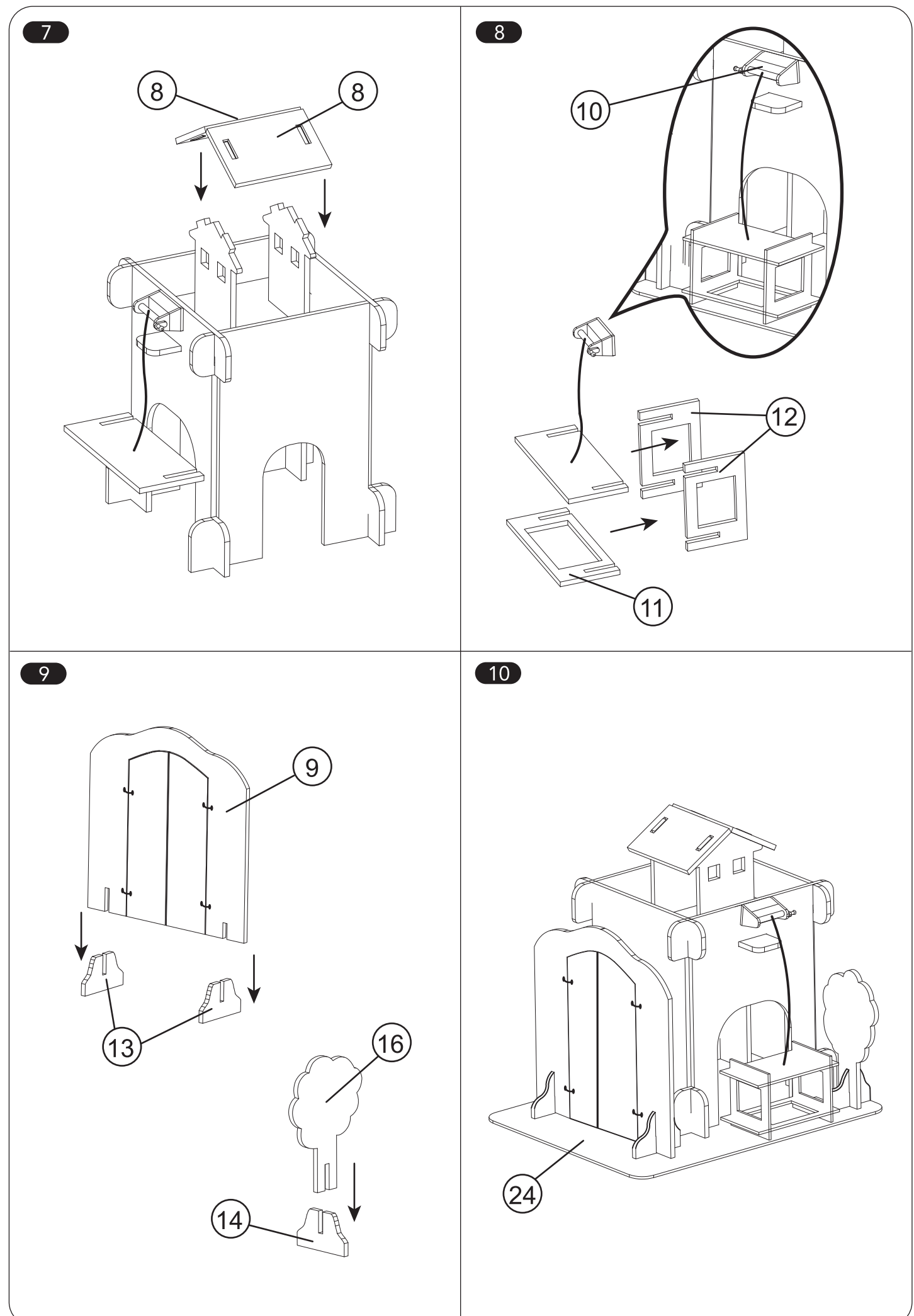
NOTE: The spot colour is not accurate (simulated using CMYK) in this digital proof, please refer to the Pantone specification (or our colour key).

assembly instruction - dino set

** Please make sure to count all components before you begin assembling the product.



2



3