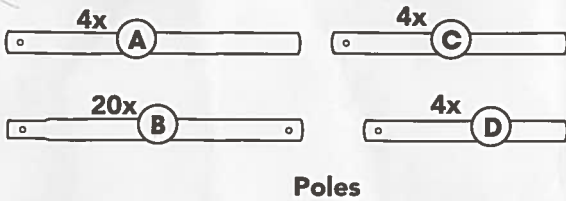


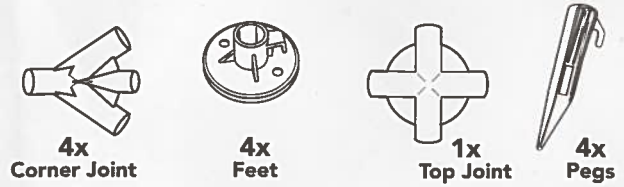


**PLEASE READ ALL INSTRUCTIONS AND WARNINGS BEFORE ASSEMBLY**

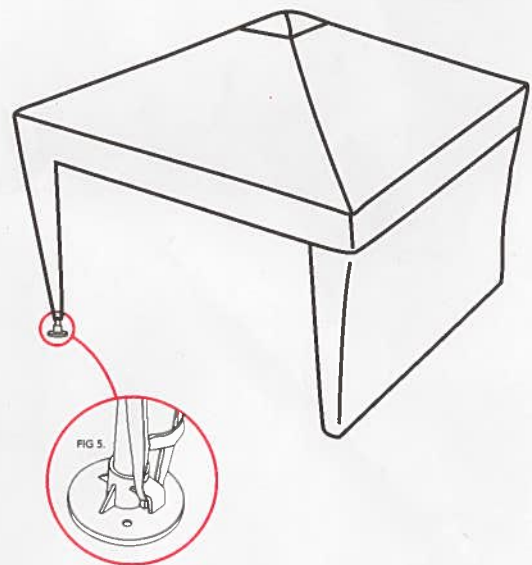
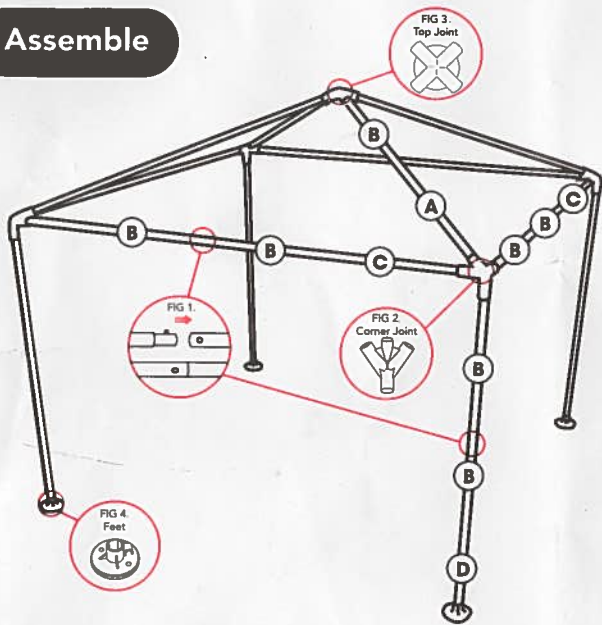
**Parts List**



**Poles**



**Assemble**



**PLEASE READ ALL INSTRUCTIONS AND WARNINGS BEFORE ASSEMBLY.** We advise that you check all the parts against the parts list before starting.

**Select Area.**

1. Assemble the 'Leg' poles by joining the poles B, B & D. **MAKE SURE THE BUTTON CLIPS FIT SECURELY INTO THE HOLES.** (See fig. 1).
2. For each leg, attach a Corner Joint (see fig. 2) and a foot. (See fig. 4).
3. Join the poles B, B & C. **MAKE SURE THE BUTTON CLIPS FIT SECURELY INTO THE HOLES.** Assemble one side of the frame, joining two completed legs, by placing these poles into the Corner Joint.
4. Repeat step '3' to assemble other sides.
5. Join the poles B & A. **MAKE SURE THE BUTTON CLIPS FIT SECURELY INTO THE HOLES.** Assemble the roof of the frame by fitting these poles into Top Joint. (see fig. 3).
6. Complete the frame by lifting the roof into place and slotting the ends into the corner joints.
7. Place the cover over the frame.
8. Choose the position of the gazebo, pull the leg covers taught and hook the ends onto the foot moulding (See fig. 5). On soft ground push the plastic pegs through the fabric loops and drive them into the ground at an angle. Ensure the pegs are pushed fully into the ground.

**WARNING!**

- ⚠ Never allow a naked flame near this product - although made from fire retardant fabric, it will burn if left in contact with a naked flame.
- ⚠ Clean only with a damp cloth - other cleaning substances might render the flame retardant coating ineffective.
- ⚠ Only use this product on level ground, clear of any stones or other sharp objects.

- ⚠ Designed for general use - it is not waterproof or made for camping.
- ⚠ Do not continue to use this product if any part of the frame becomes either bent or broken, immediately contact Early Learning Centre in the event of a failure.

Made in China.  
Colour and specification of product may vary from that illustrated.

Design & © 2013 Worlds Apart Limited,  
All rights Reserved.