

features

To play a CD:

1. Turn on the CD player.
2. Press OPEN to open the CD Door.
3. Place your disc on the center spindle with the printed label side facing up.
Press down gently near the center hole to make sure the disc is properly placed on the spindle.
4. Close the door completely until it locks.
5. Turn down the volume before playing.
6. Press PLAY/PAUSE to start playing.
7. To pause playing, press PLAY/ PAUSE. Press PLAY/ PAUSE again to resume playing.
8. To stop playing, press STOP.

SKIP/ SEARCH:

Press + to advance to the next track or press and hold to search forward.
Press - to skip back a track or press and hold to search in reverse.

REPEAT

To repeat the current track, press REPEAT once and the REPEAT INDICATOR will flash.

To repeat the entire CD, press REPEAT again and the REPEAT INDICATOR will light up. To return to normal playing, press REPEAT again.

PROGRAM

You can program the CD player to play only the tracks that you want to hear, and in the specific order that you want to hear them. Up to a total of 20 tracks can be programmed.

1. Press PROGRAM to start.
2. Use the SKIP/ SEARCH to select your desired track number.
3. Press PROGRAM to store.
4. Repeat the above two steps to select and store all your favourite tracks.
5. Press PLAY/ PAUSE to hear the tracks in the programmed order.

Reviewing the programmed tracks:

In stop mode, press PROGRAM repeatedly, the led display will show the track numbers you stored in sequence.

Erasing the programmed tracks:

You can erase the program by pressing STOP in the program status.

Sing along with/ without CD playing

1. Turn the microphones on.
2. Adjust the volume by tuning the MIC volume.
3. Speak or sing in normal voice about 1 inch from the microphone.

Note:

The toy shall only be used with a transformer for toys.
The transformer is not a toy.

Toys liable to be cleaned with liquid are to be disconnected from the transformer before cleaning.
The transformer used with the toy should be regularly examined for damage to the cord, plug, enclosure and other parts; in the event of such damage, the toy must not be used with this transformer until the damage has been repaired.

The toy is not intended for children under 3 years old.
Please retain this information for future reference.
Use under adult supervision due to long cord.



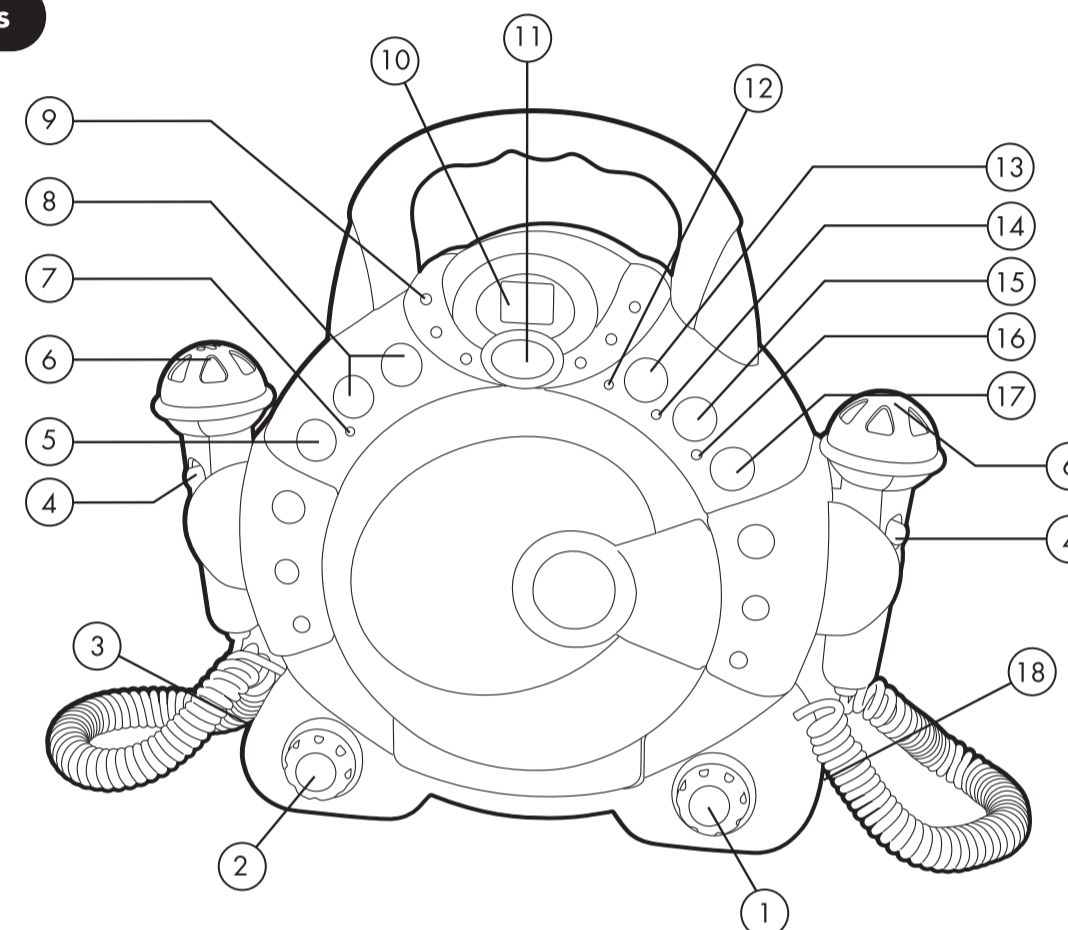
sing along CD player

instructions

134440/141721 0315
Early Learning Centre®
Watford WD24 6SH England.

Customer Service Department
0371 231 3513

features



1. Power On/ Off/ Music Volume

Turn the knob to turn the power on/ off and to adjust the volume level.

2. MIC volume

Turn the knob to adjust the MIC volume level.

3. DC 9V jack

9V DC input jack.

4. MIC on/off

Switch the microphone on and off.

5. Program

You can program the CD player to play only the tracks that you want to hear, and in the specific order that you want to hear them. Up to a total of 20 tracks can be programmed.

6. Microphone

2 sing along microphones.

7. Program indicator

Indicates program operation.

8. Skip/ Search

Press + to advance to the next track or press and hold to search forward.

Press - to skip back a track or press and hold to search in reverse.

9. Sound Level Indicator

Indicates sound level.

10. LED display

Shows the CD track number.

11. Open

Opens the CD compartment door.

12. Power Indicator

Indicates that the power is turned on.

13. Play/ Pause

Starts or pauses CD operation.

14. Play/ Pause Indicator

Indicates playing or pause operation.

15. Stop

Stops CD operation, cancels all programmed tracks.

16. Repeat Indicator

Indicates repeat play operation.

17. Repeat

Repeats a particular track, programmed tracks, or the entire CD.

18. Headphone

Headphone jack.

SKU no.	134440/141721	Initial Check		Final Check		Final Approval		Sign-off file & user proof	
Name	sing-along CD player	Design	Initial	Product Manager	Initial	Checked (if product)	Initial	Checked (if product)	Initial
Buying team	M&L	Copywriter	Initial	Product Acquisition	Initial	Buyer (if product)	Initial	Buyer (if product)	Initial
Supplier	sunco	Designer	Initial	Designer	Initial	Designer	Initial	Designer	Initial
Designer	Dorothy	Date created	10 Mar 15	Designer	Initial	Designer	Initial	Designer	Initial
		Packaging Design	Initial	Designer	Initial	Designer	Initial	Designer	Initial

AW15