



# Wood Train Table

instructions

116500

Early Learning Centre  
Swindon SN3 4TJ England.

Customer Service Department  
08705 352 352

## **IMPORTANT INFORMATION- PLEASE READ FIRST**

ALL OF OUR WOODEN ITEMS ARE HANDCRAFTED, HAND ASSEMBLED, AND HAND PAINTED. EACH ONE IS UNIQUE. SLIGHT IMPERFECTIONS MAY OCCUR AND ARE NOT MANUFACTURING DEFECTS.

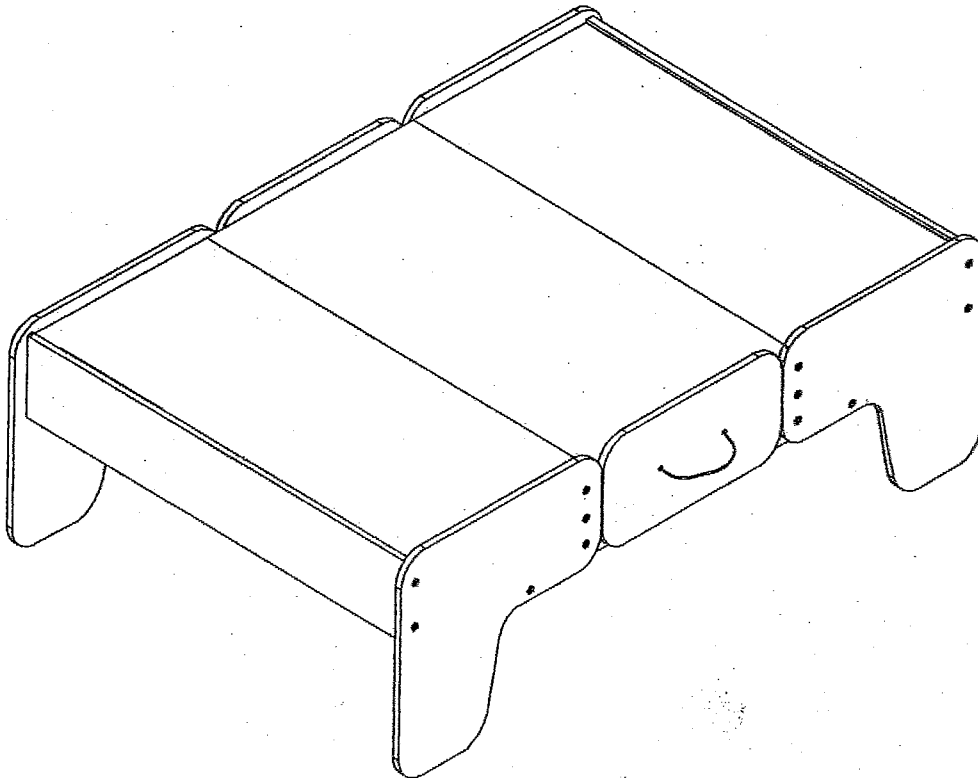
**IMPORTANT:** PLEASE READ THE INSTRUCTION LEAFLET FULLY BEFORE STARTING PRODUCT ASSEMBLY. DO NOT LEAVE OUTDOORS IN COLD OR WET WEATHER. DO NOT 'DRAG' PRODUCT ONCE ASSEMBLED. **ASSEMBLY REQUIRES 2 PERSONS.** ENSURE ALL FIXINGS ARE TIGHTENED FULLY BEFORE USE. CHECK REGULARLY TO ENSURE ALL PARTS ARE SECURE AND NO DAMAGE AS BEEN SUSTAINED. IF BROKEN DISCONTINUE USE. FAILURE TO DO SO MAY RESULT IN INJURY.

### **USE AND MAINTENANCE:**

- Use on level surfaces only
- Please check assembly at regular intervals, and frequently tighten hardware if necessary. If maintenance is not carried out, the product could cease to function properly.

**⚠ CAUTION:** Adult assembly required. Hardware contains small screws with sharp points. Keep unassembled parts out of the reach of small children.

**⚠ WARNING: CHOKING HAZARD**  
Unassembled parts may be a choking hazard to children 3 years and younger.





# Wood Train Table

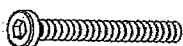






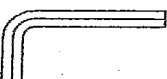
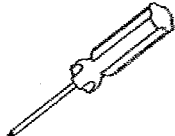
instructions

116500

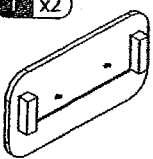
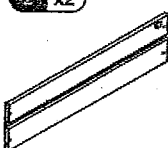
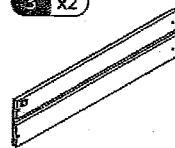

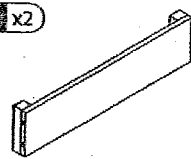
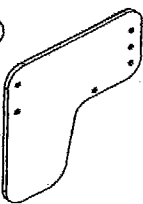
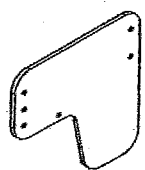
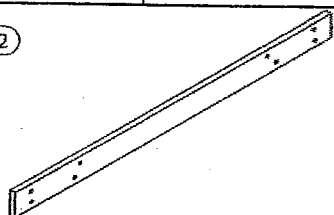
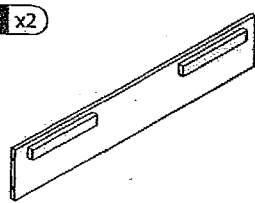
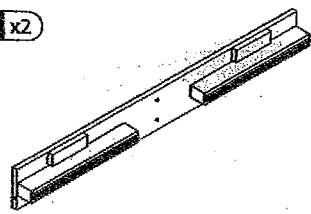
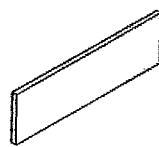
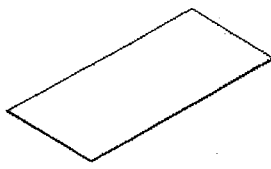
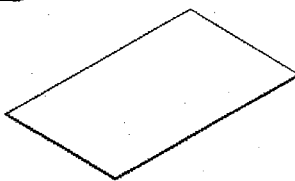
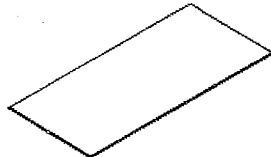
Early Learning Centre™  
Swindon SN3 4TJ England.

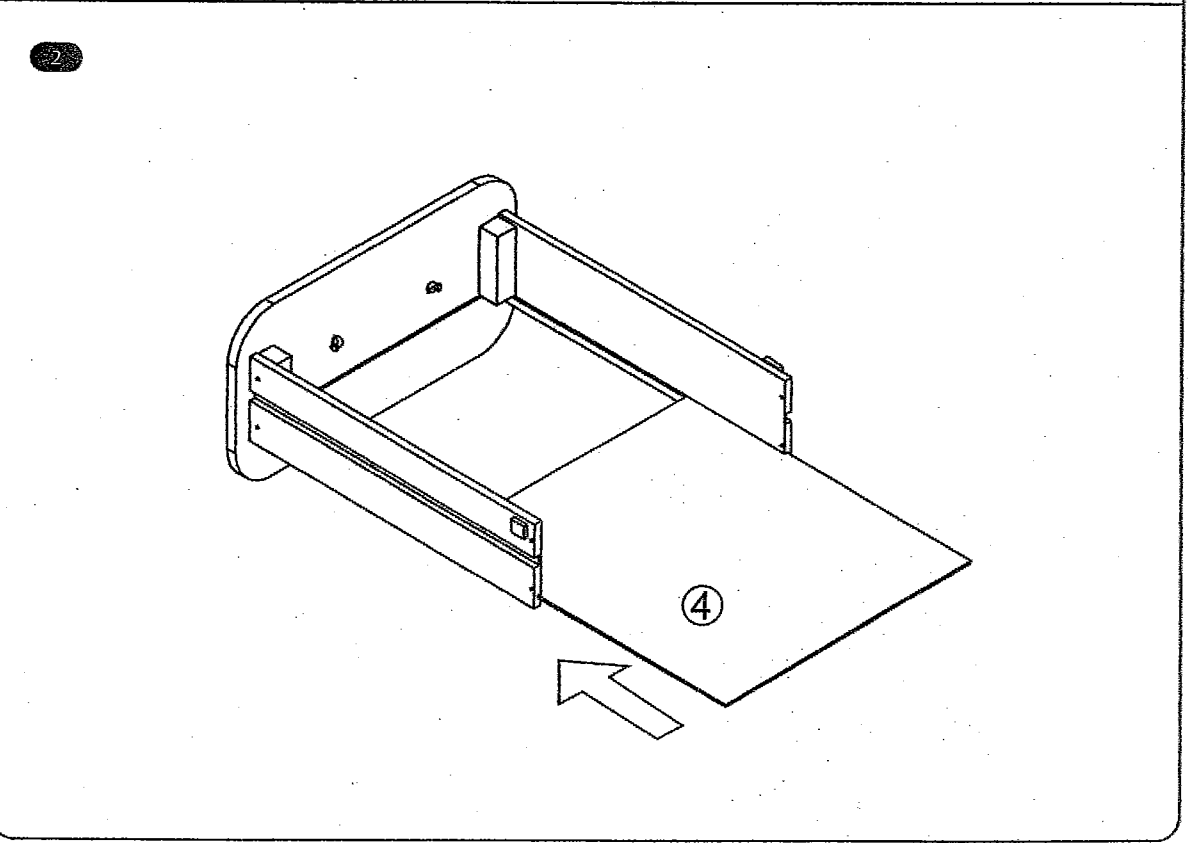
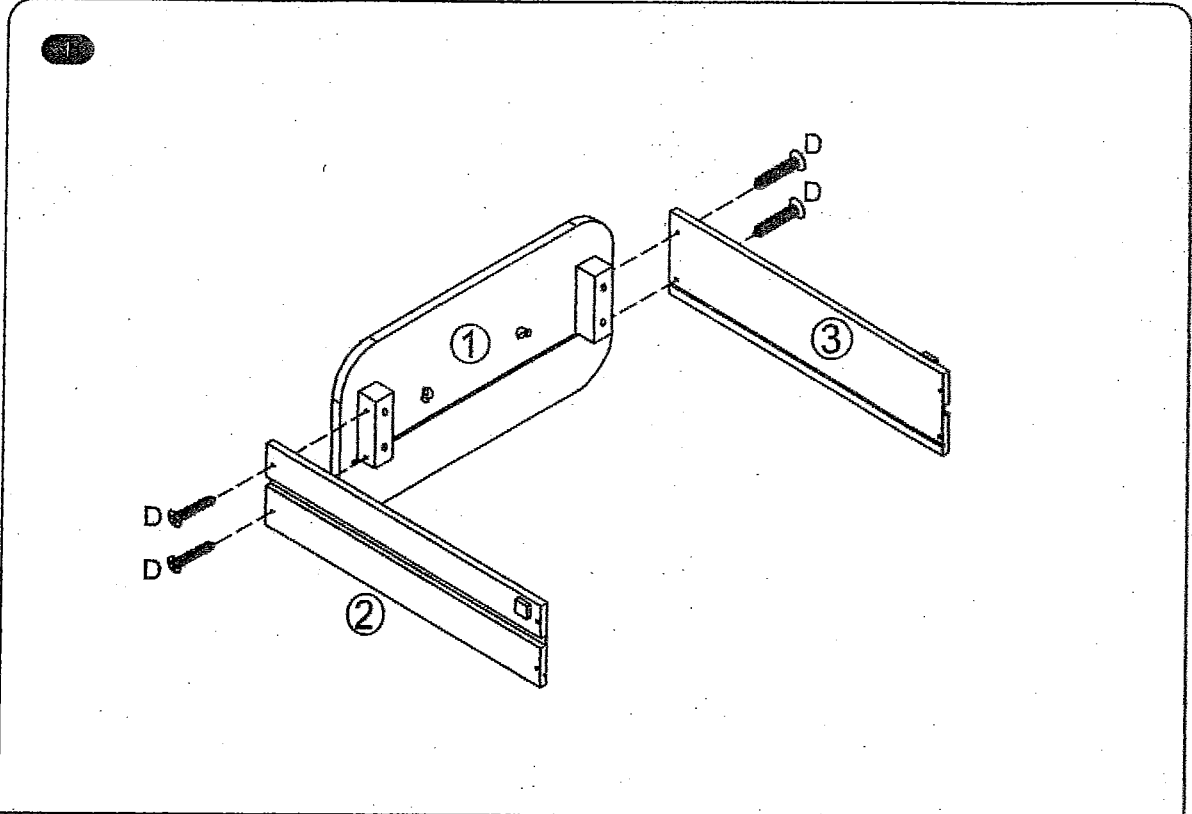
Customer Service Department  
08705 352 352

## hardware

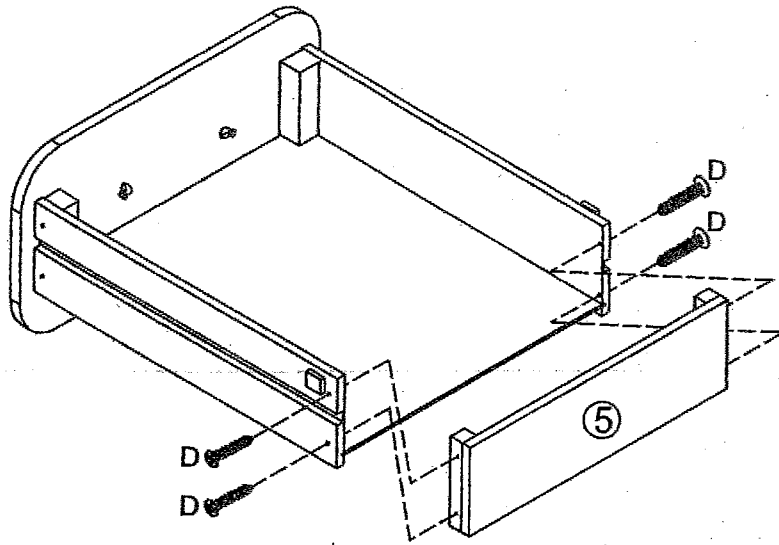
<p><b>A</b> x20</p> <p>Cross Dowel Bolt (2 1/6 in, 55mm)</p> 	<p><b>B</b> x8</p> <p>Cross Dowel Bolt (1 in, 25 mm)</p> 	<p><b>C</b> x20</p> <p>Cross Dowel Nut</p> 	<p><b>D</b> x16</p> <p>Screw (1 in, 25 mm)</p> 	<p><b>E</b> x4</p> <p>Green Screw (1 1/4 in, 31 mm)</p> 
<p><b>F</b> x4</p> <p>Drawer Stop (1 in, 25 mm)</p> 	<p><b>G</b> x8</p> <p>Wooden Dowel (3/4 in, 20 mm)</p> 	<p><b>H</b> x1</p> <p>Allen Key</p> 	<p><b>I</b> x1</p> <p>The following tool is required for assembly:</p>  <p>Phillips® Screwdriver</p>	

## contents

<p><b>1</b> x2</p> 	<p><b>2</b> x2</p> 	<p><b>3</b> x2</p> 	<p><b>4</b> x2</p> 	<p><b>5</b> x2</p> 
<p><b>6</b> x2</p> 	<p><b>7</b> x2</p> 	<p><b>8</b> x2</p> 		
<p><b>9</b> x2</p> 	<p><b>10</b> x2</p> 		<p><b>11</b> x1</p> 	
<p><b>12</b> x1</p> 	<p><b>13</b> x1</p> 	<p><b>14</b> x1</p> 		

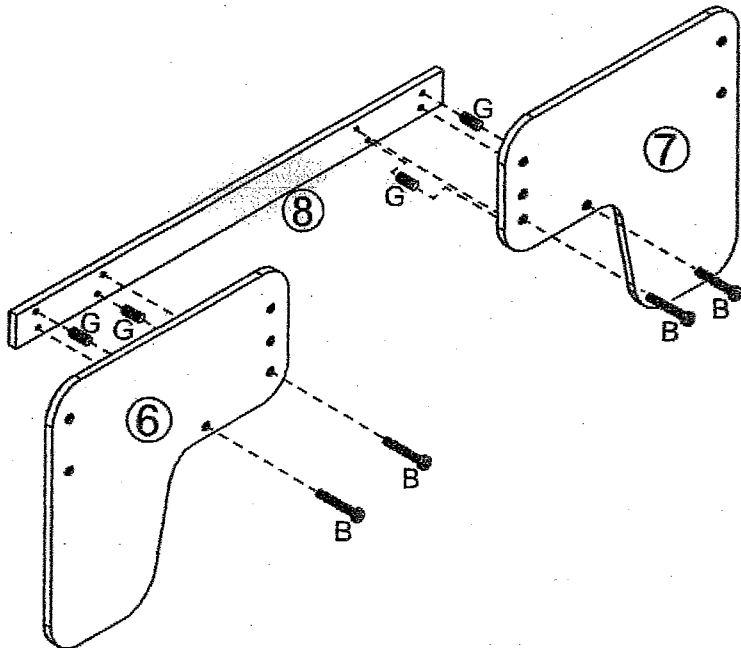


3

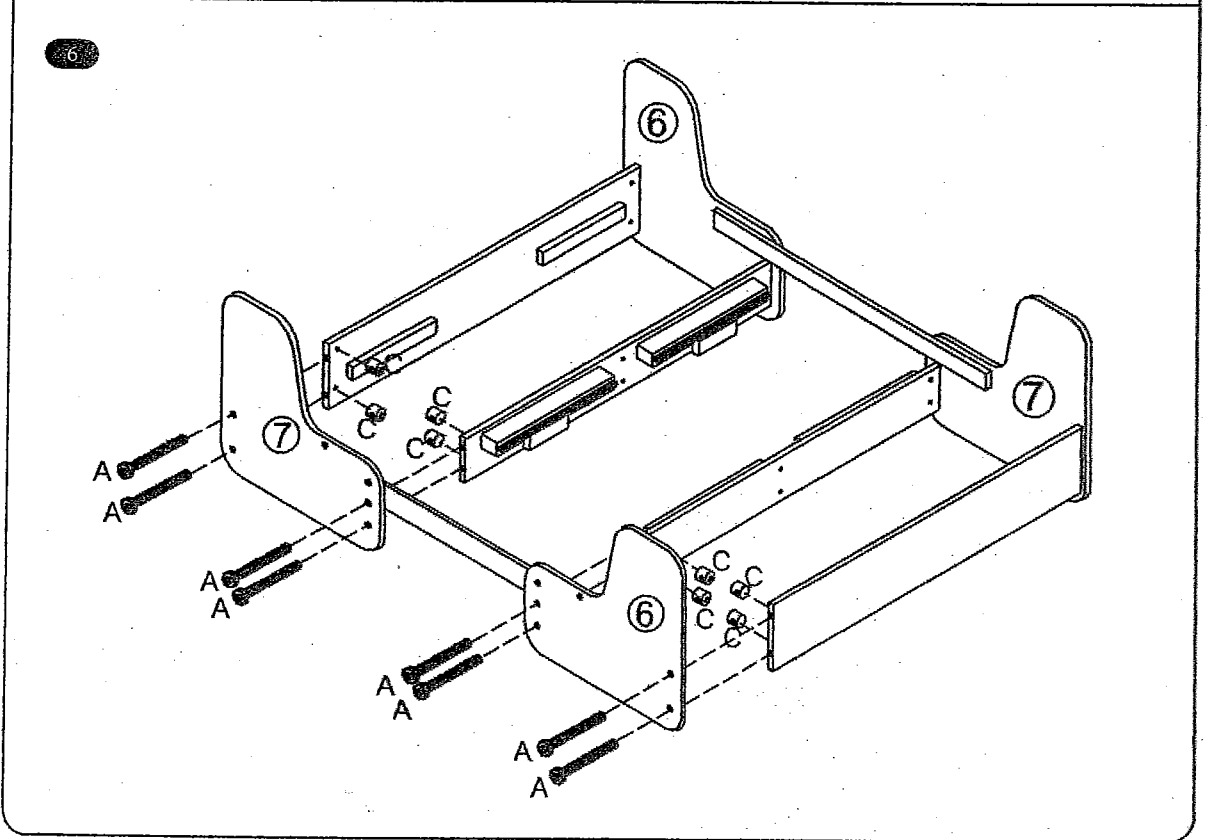
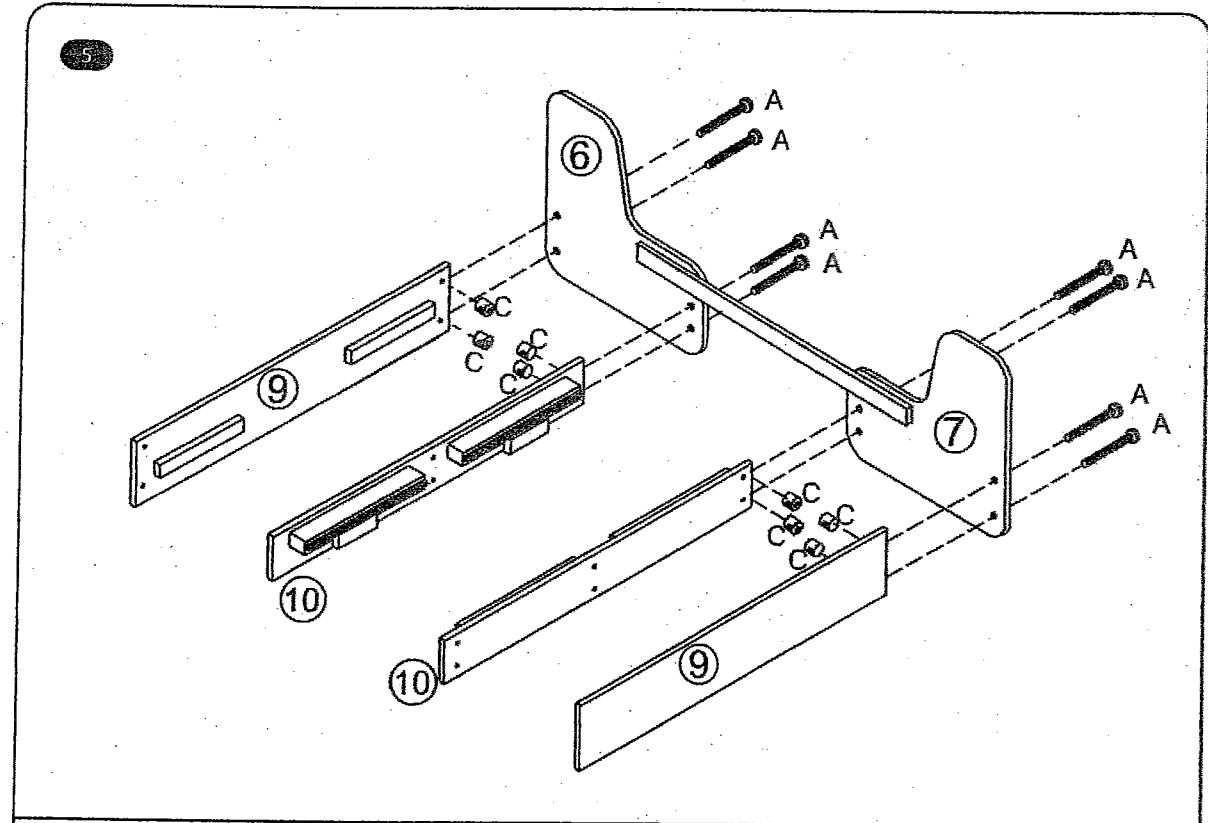


\*Repeat Steps 1-3 For  
Second Drawer

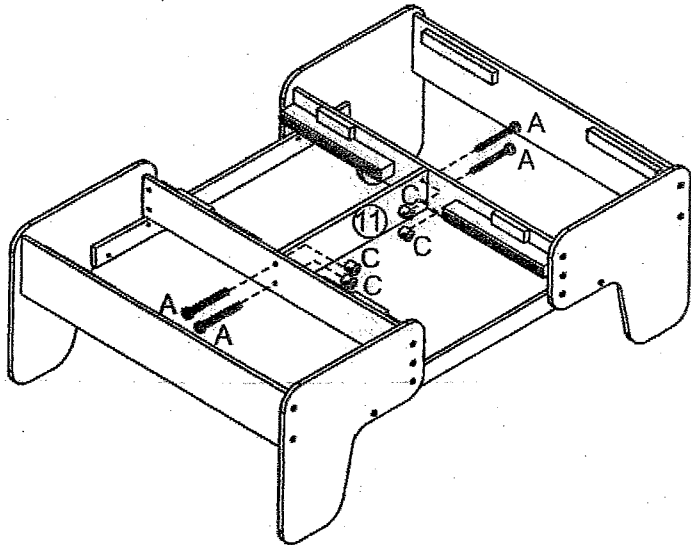
4



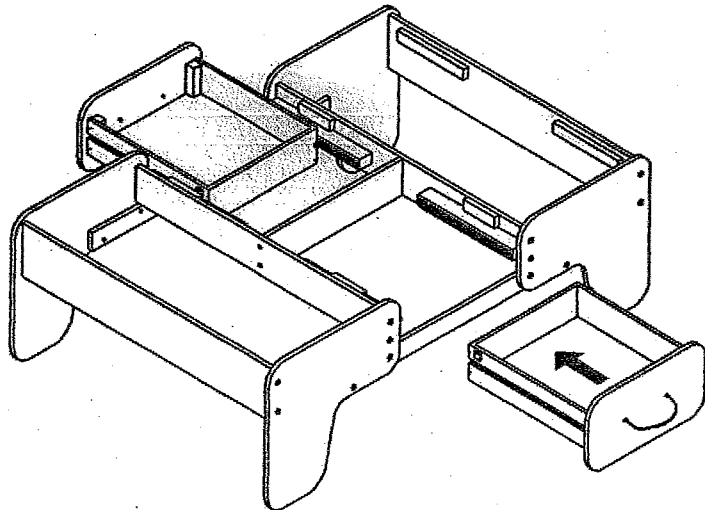
\*Repeat Step 4 For  
Opposite Side



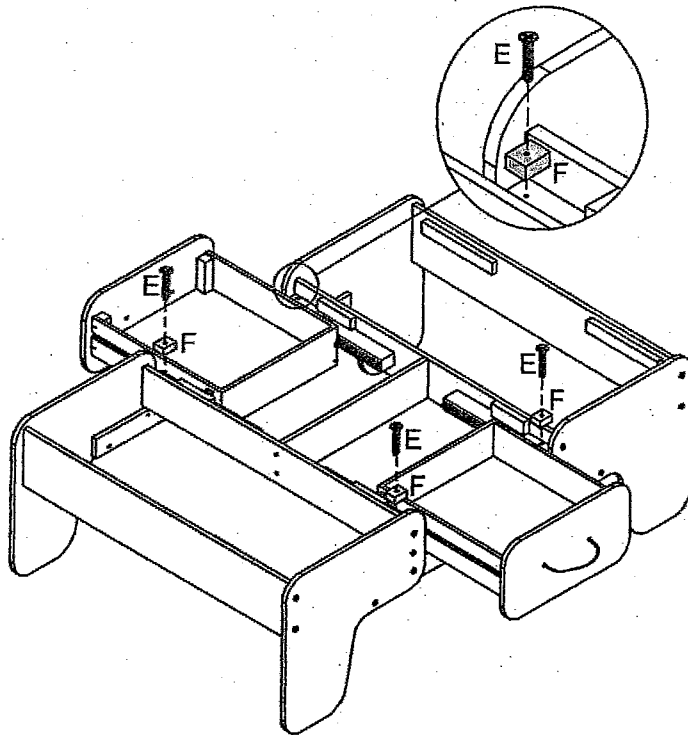
7



8



9



10

