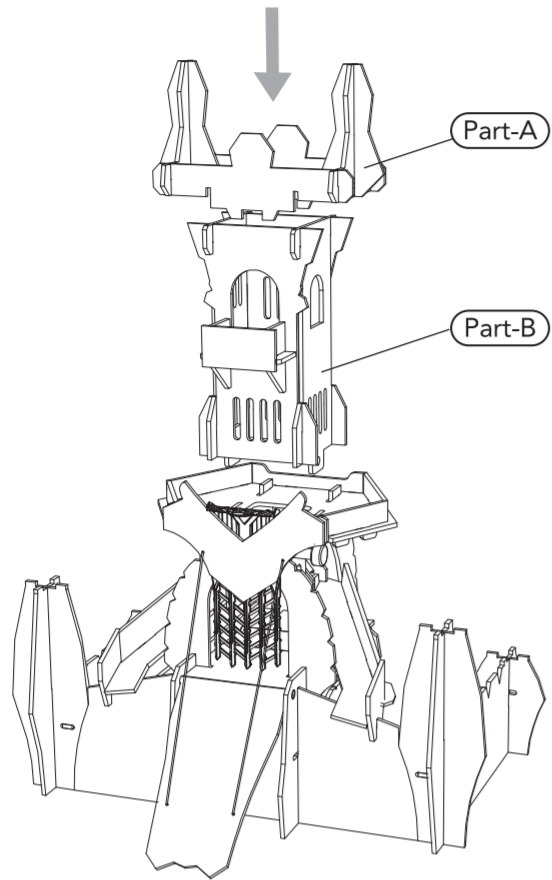
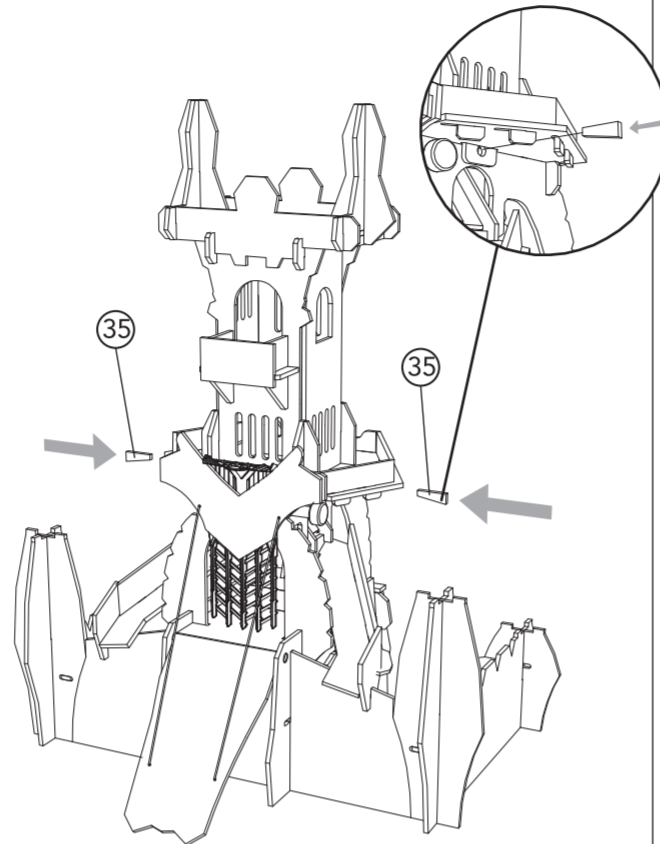


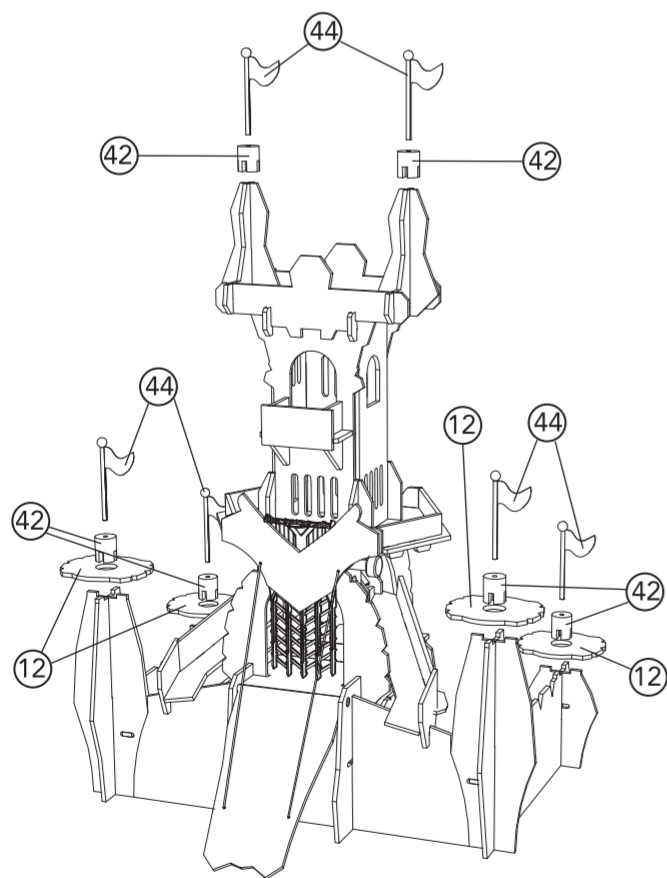
11



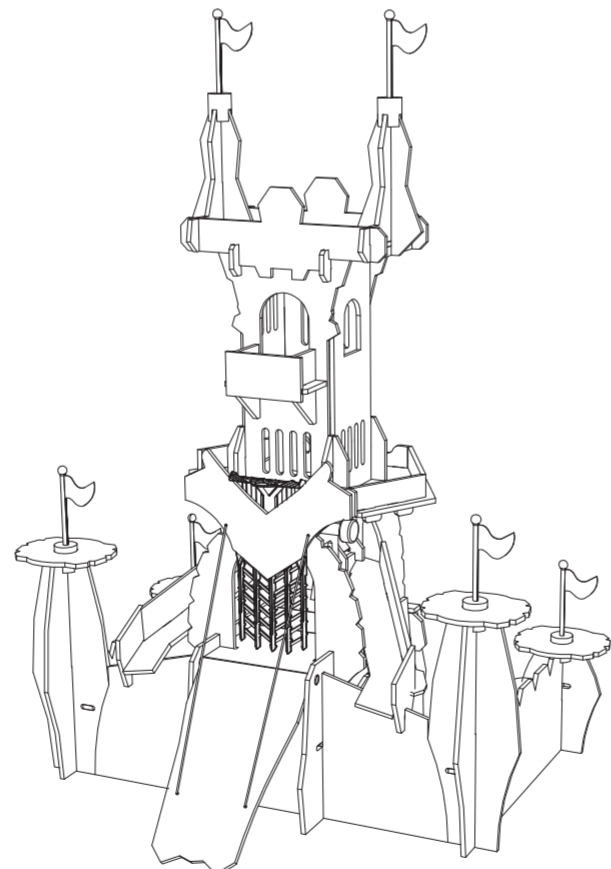
12



13



14



tumble-rock tower™

user guide

133873 0412
Early Learning Centre®
Watford WD24 6SH England.

Customer Service Department
0871 231 3511

contents

1 x2	2 x2	3 x1	4 x2	9 x1	10 x1	11 x1	12 x4
5 x1	6 x1	7 x1	8 x1	13 x2	14 x1	15 x1	16 x1
17 x1	18 x1	19 x1	20 x1	21 x1	22 x2	23 x1	
24 x1	25 x1	26 x1	27 x1	28 x1			
29 x1	30 x1	31 x1					
32 x2	36 x1	39 x1	41 x2	42 x6	45 x1		
33 x2	37 x1	40 x1	43 x1	44 x6			
34 x2	38 x1				46 x1	47 x2	

early learning centre AW12

sku number : 133873
product : Tumble Rock Tower instruction
pack dimensions : A3
supplier : HAPE category : A&A
date : 20 Apr 2012 designer : Boris Au

colours:

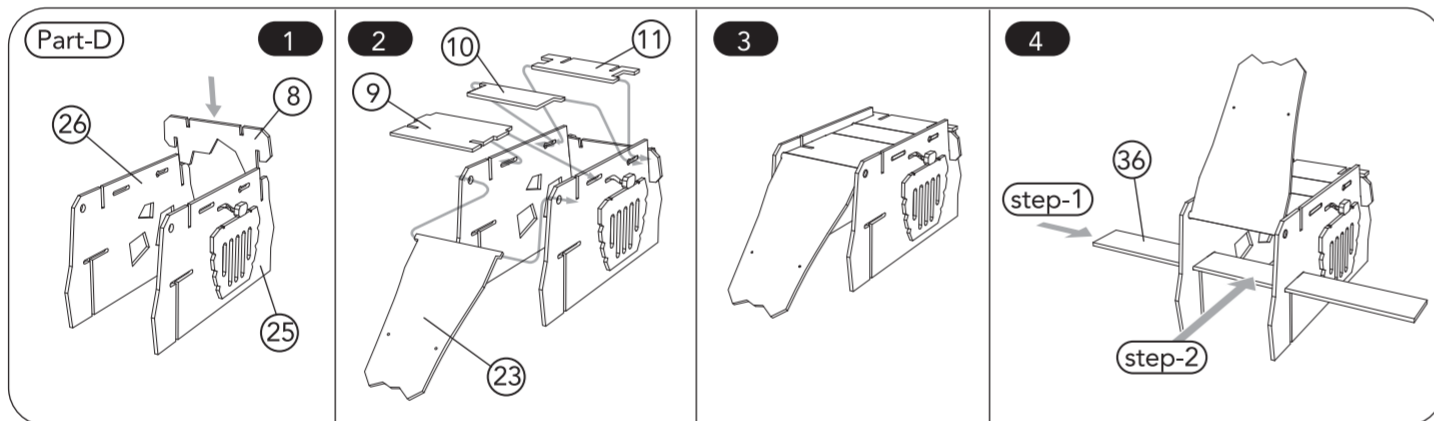
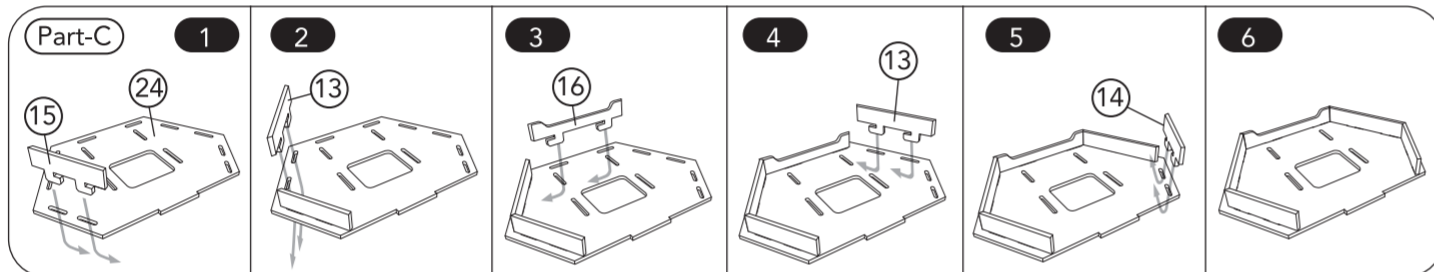
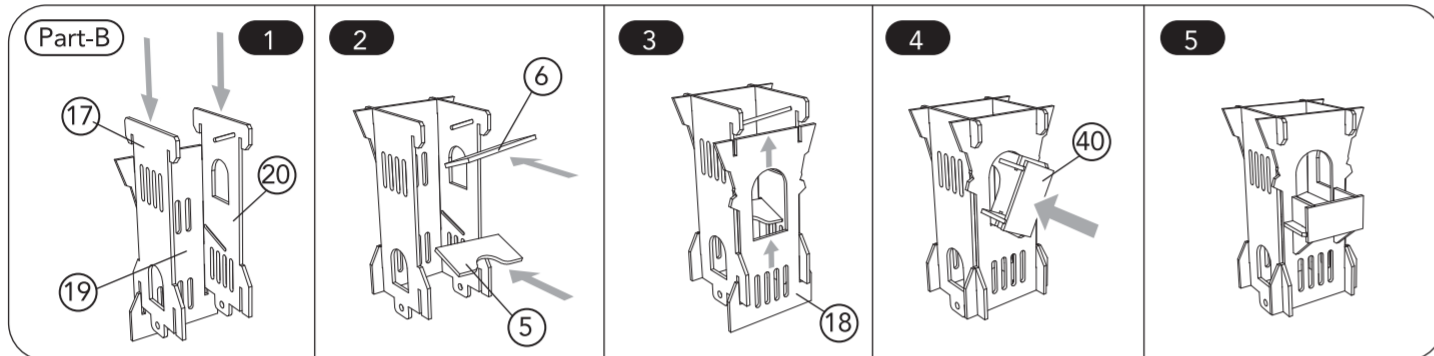
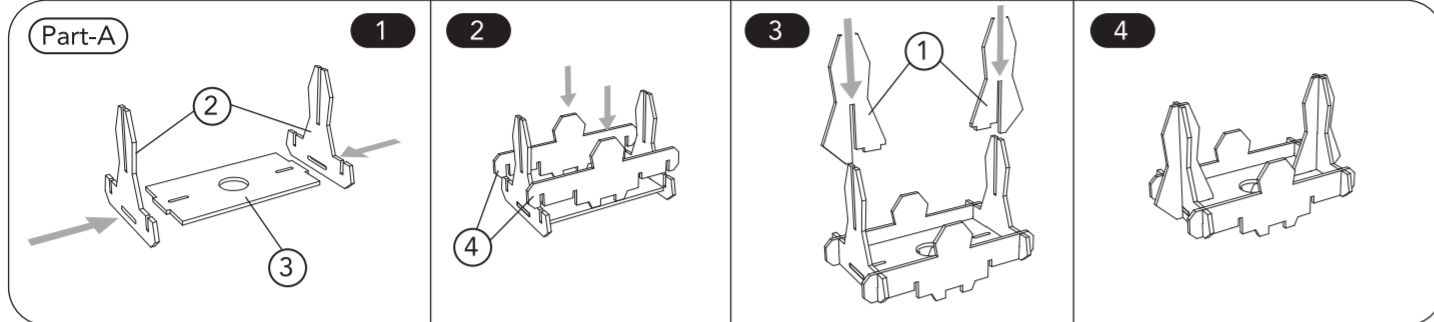


Black

approval	date	signature
packaging manager		
copywriter		
QA		
product manager		

NOTE: The spot colour is not accurate (simulated using CMYK) in this digital proof, please refer to the Pantone specification (or our colour key).

assembly



assembly

