



dungeon of doom

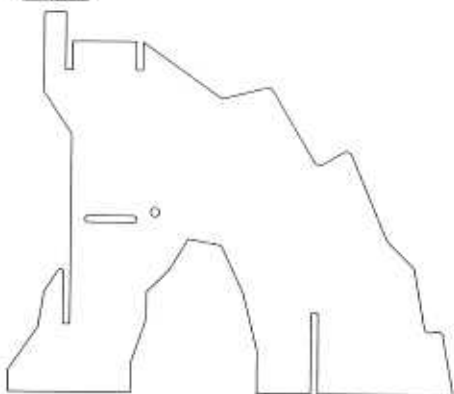
instructions

115628 0407
Early Learning Centre®
Swindon SN3 4TJ England.

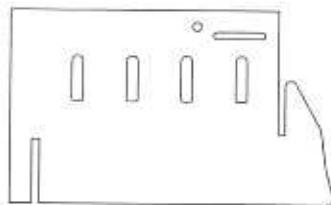
Customer Service Department
08705 352352

contents

1 x1



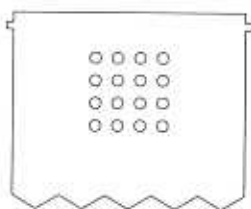
2 x1



3 x1



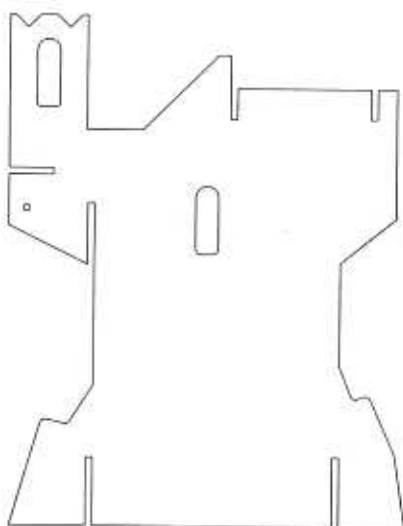
4 x1



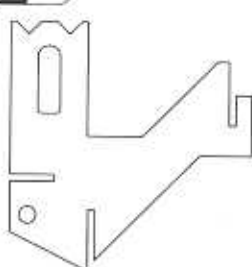
5 x1



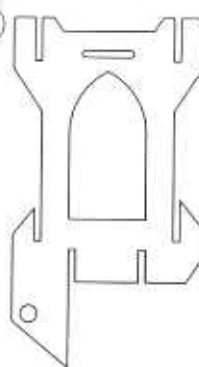
6 x1



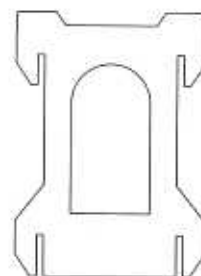
7 x1



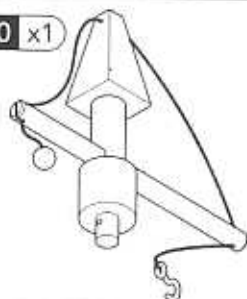
8 x1



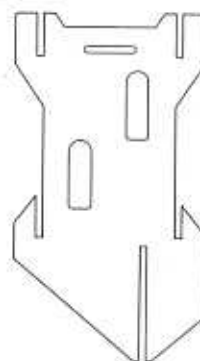
9 x1



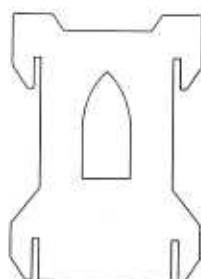
10 x1



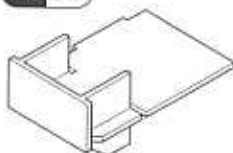
12 x1



13 x1



14 x1



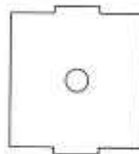
15 x1



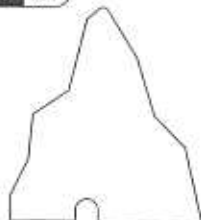
16 x1



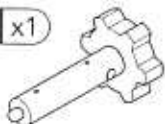
11 x1



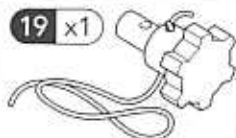
17 x1



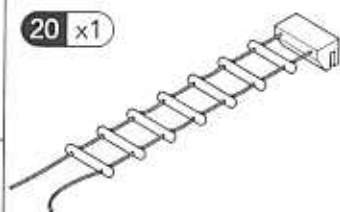
18 x1



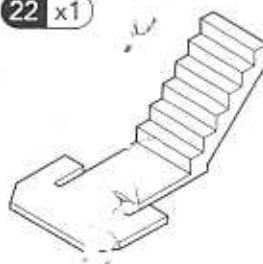
19 x1



20 x1



22 x1



23 x1

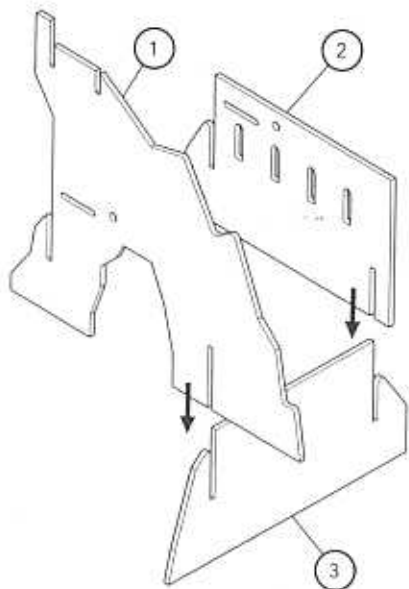


21 x3

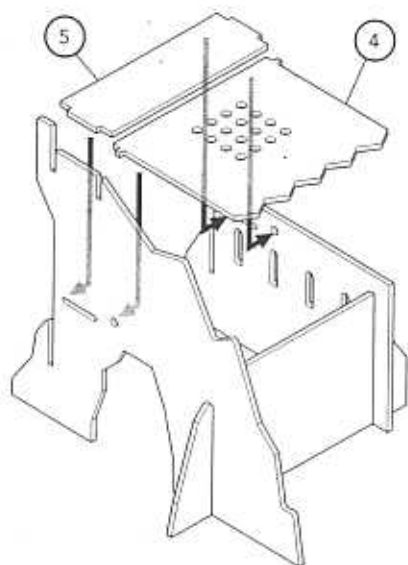


assembly

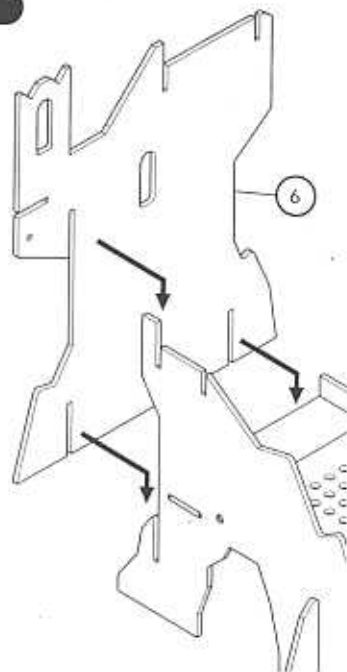
1



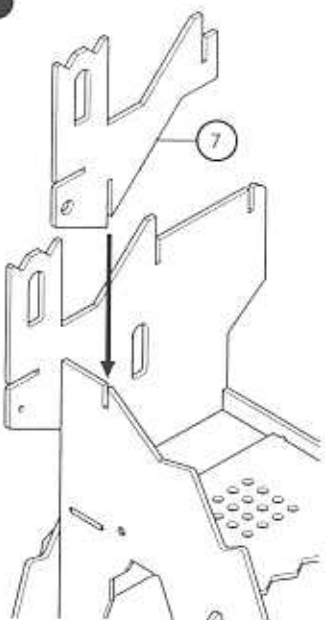
2



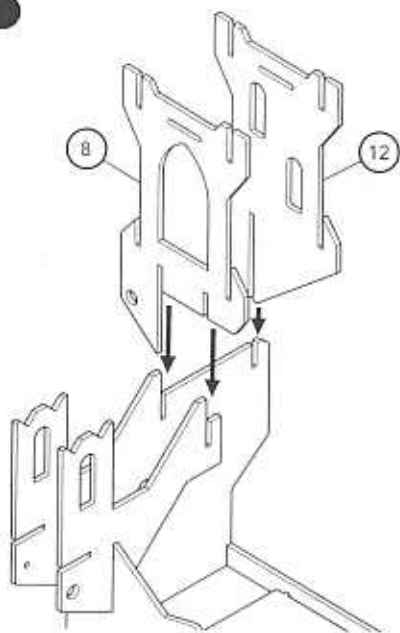
3



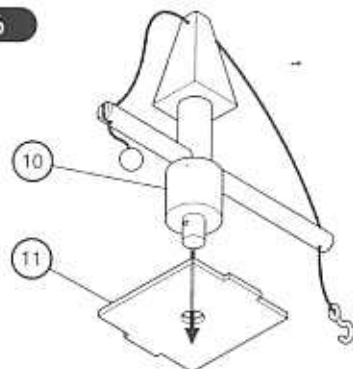
4



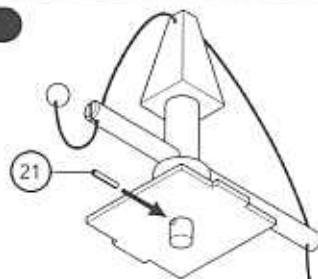
5



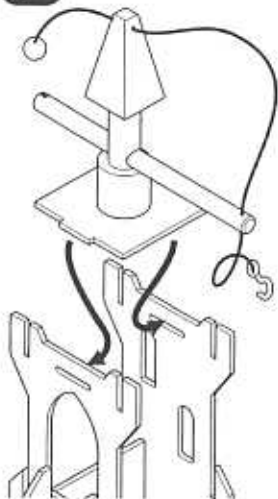
6



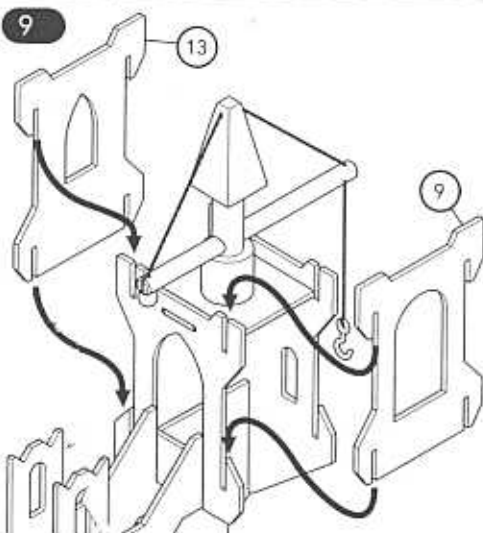
7



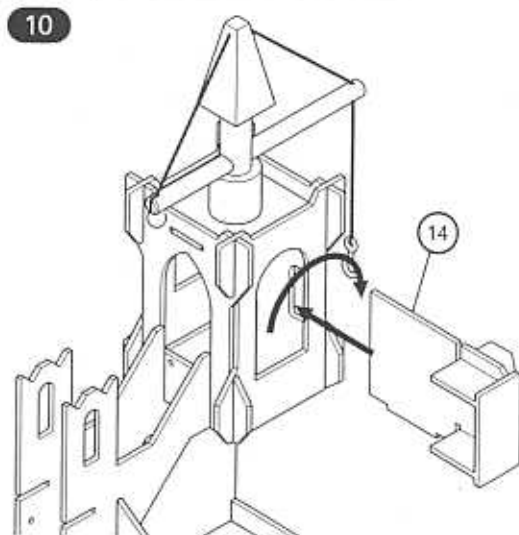
8



9

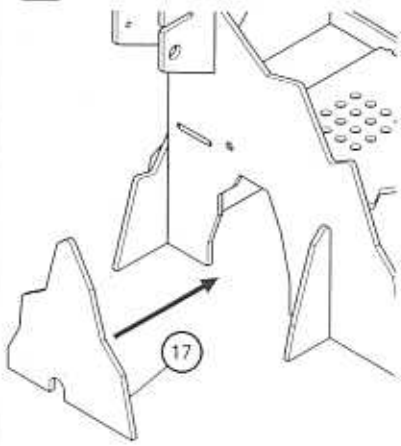


10

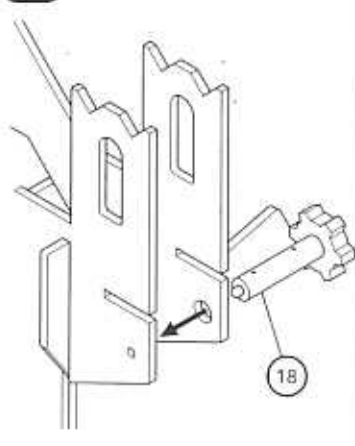


assembly

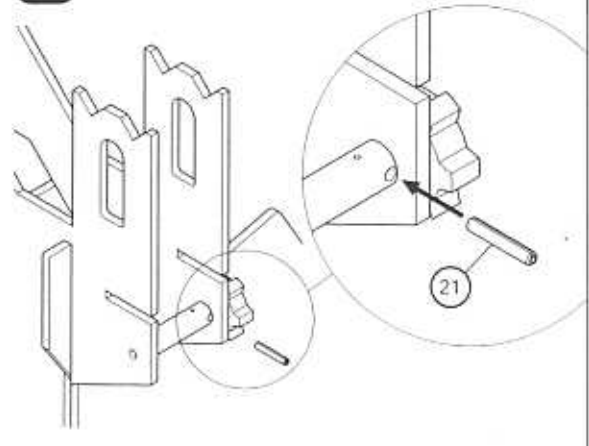
11



12

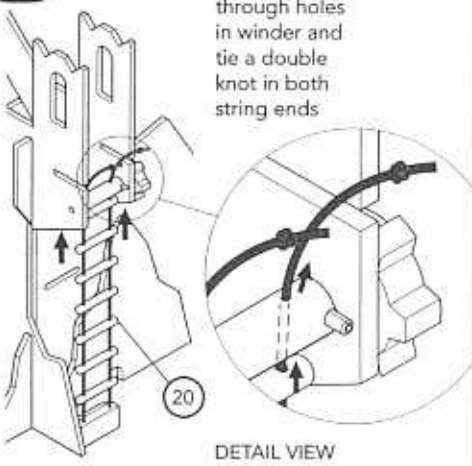


13



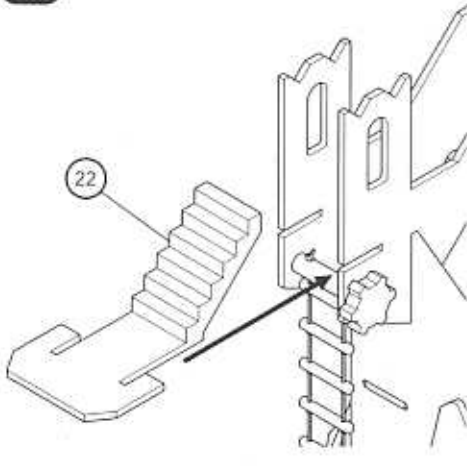
14

thread strings through holes in winder and tie a double knot in both string ends

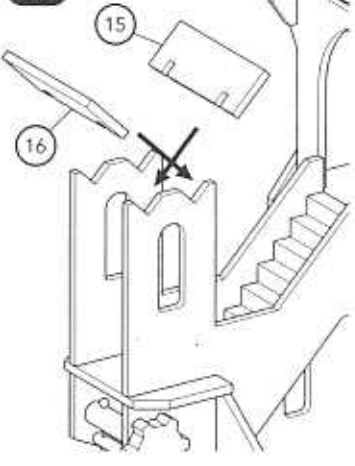


DETAIL VIEW

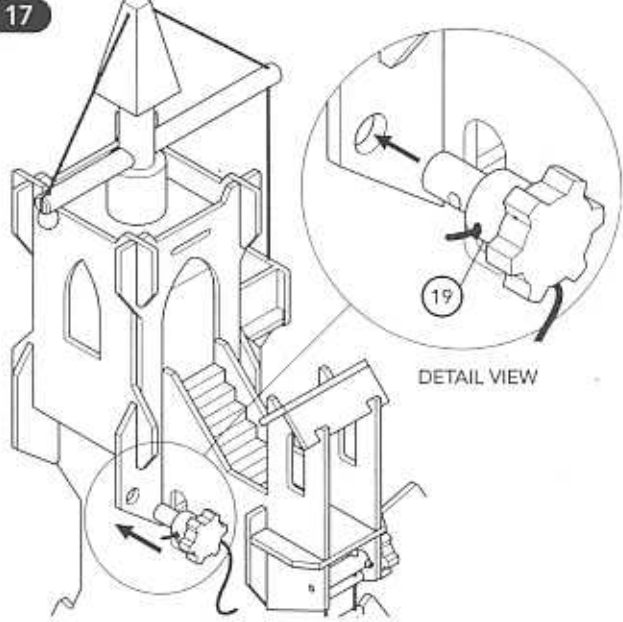
15



16

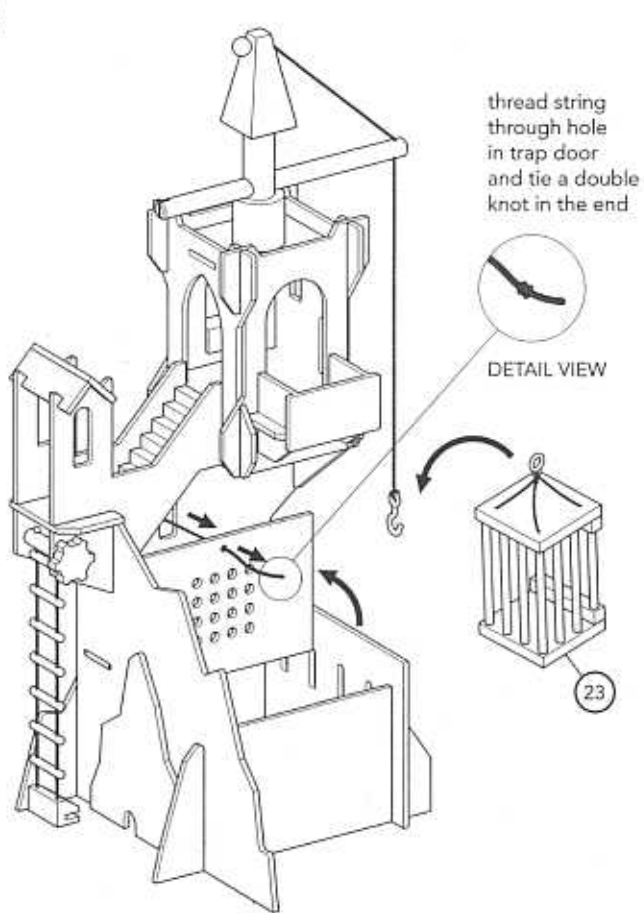


17



DETAIL VIEW

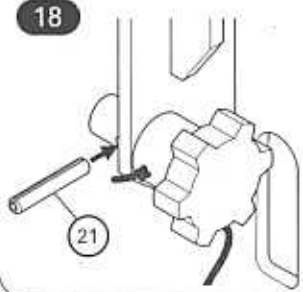
20



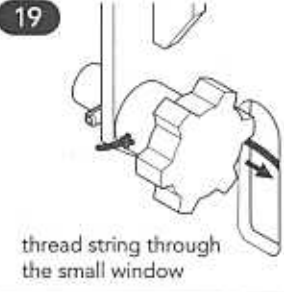
thread string through hole in trap door and tie a double knot in the end

DETAIL VIEW

18



19



thread string through the small window