



# wooden play table & chairs

assembly instructions

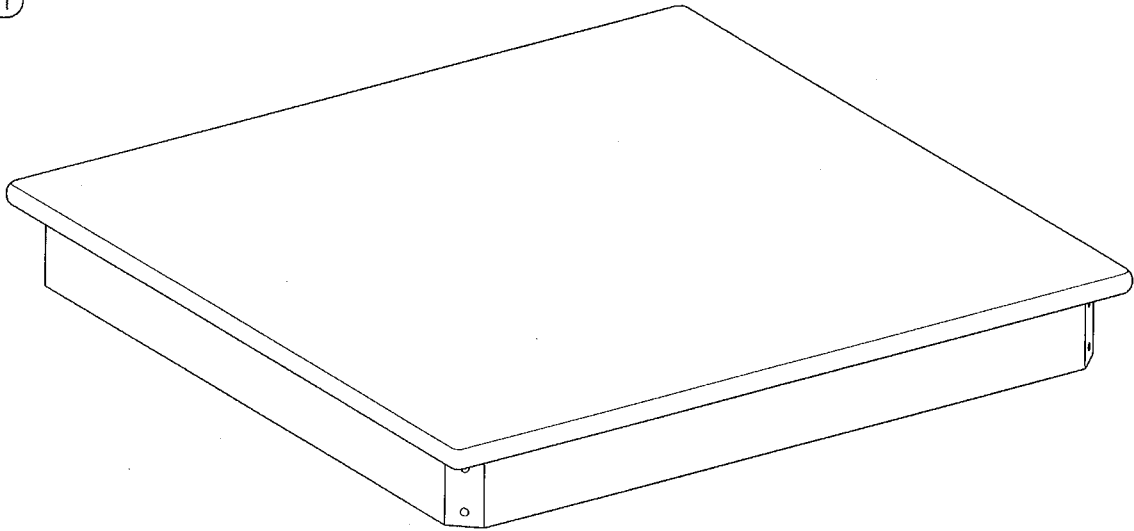
113061/114739 0506

Early Learning Centre®  
Swindon SN3 4TJ England.

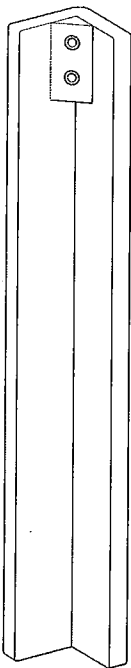
Customer Service Department  
01793 443322

## contents - table

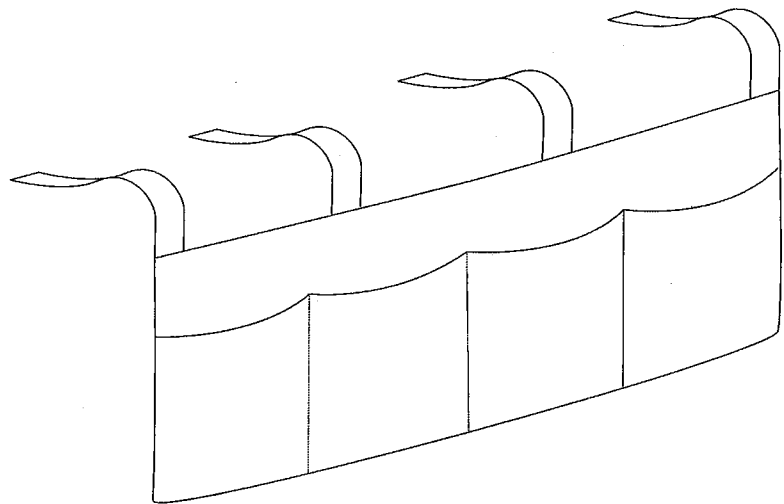
1 x1



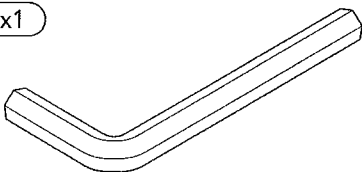
2 x4



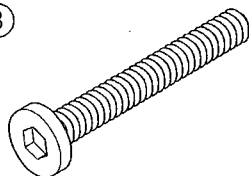
3 x2



4 x1



5 x8



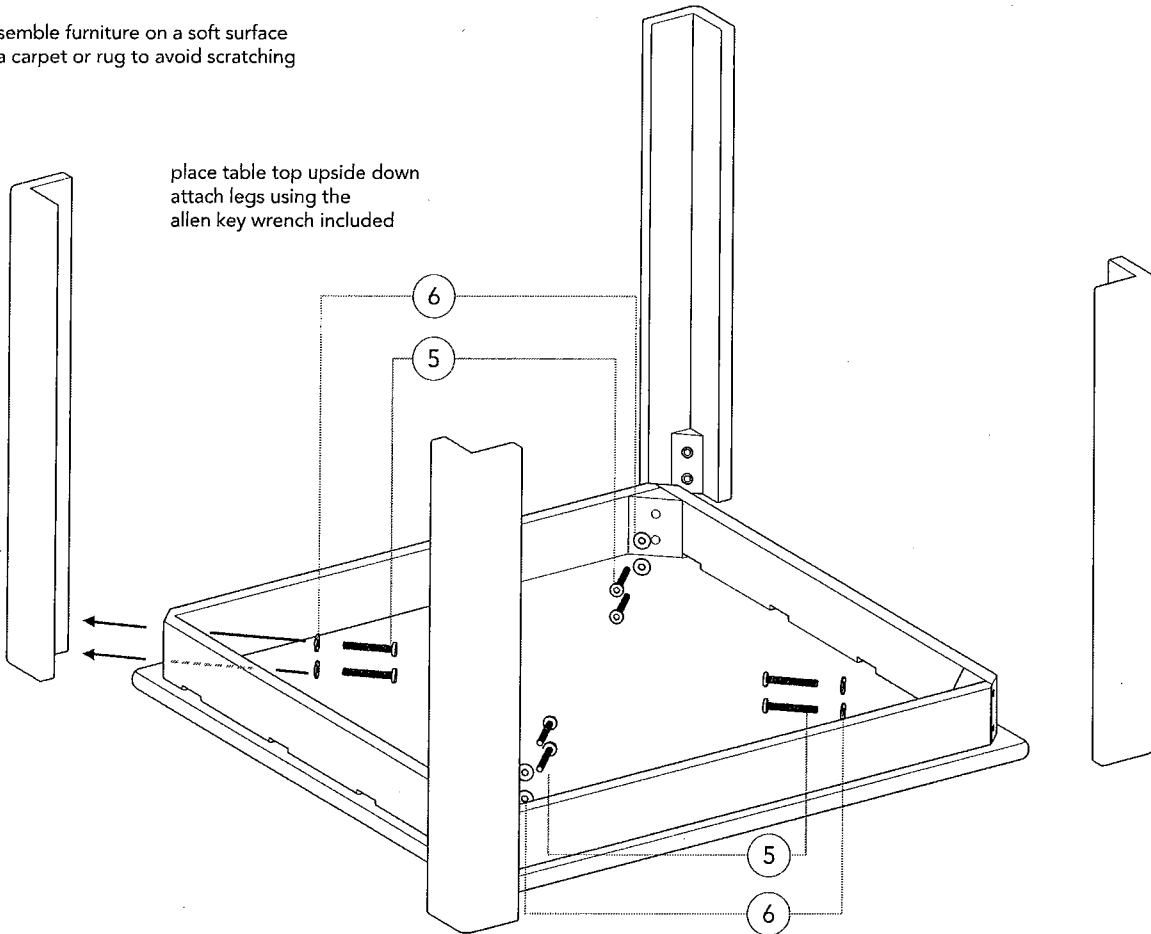
6 x8



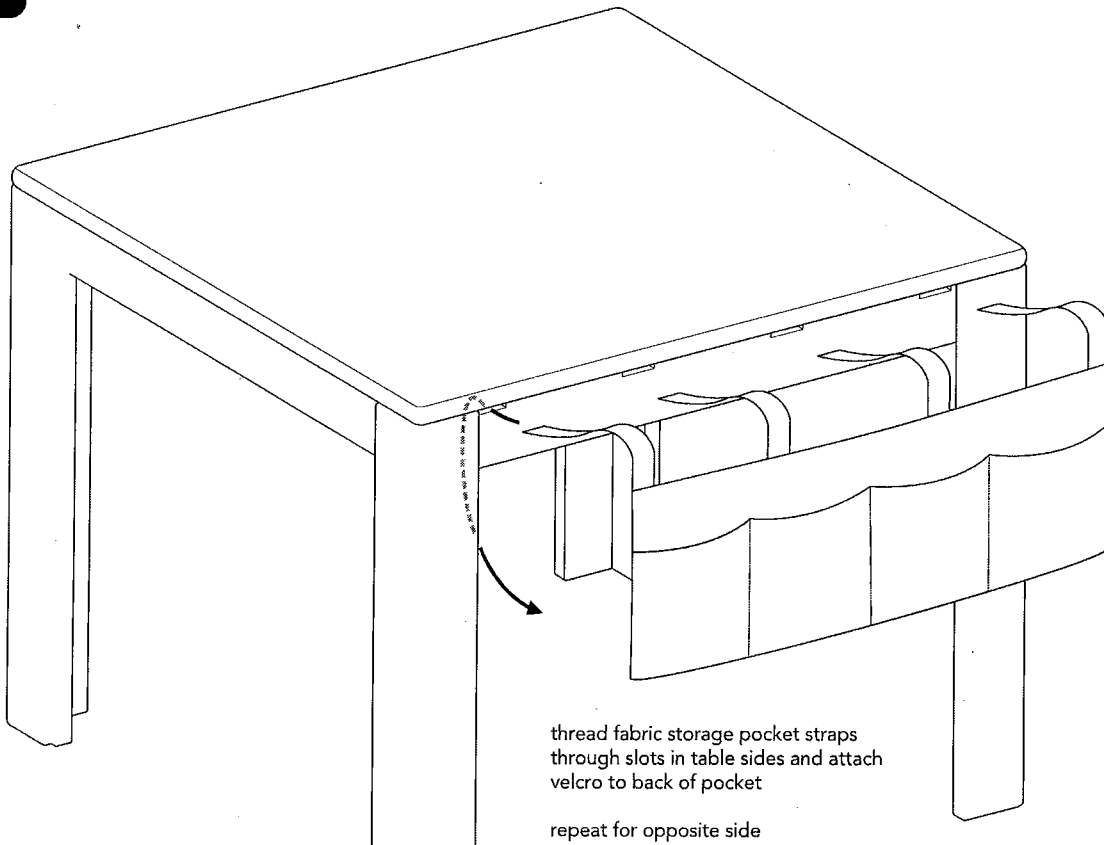
## assembly - table

1

note: assemble furniture on a soft surface such as a carpet or rug to avoid scratching

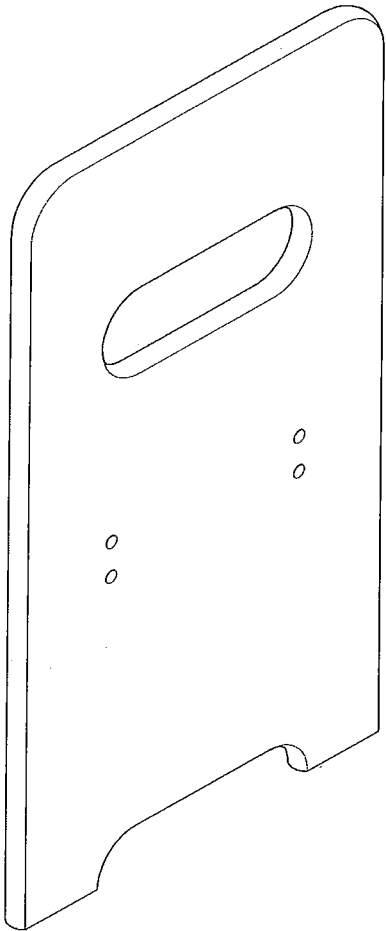


2

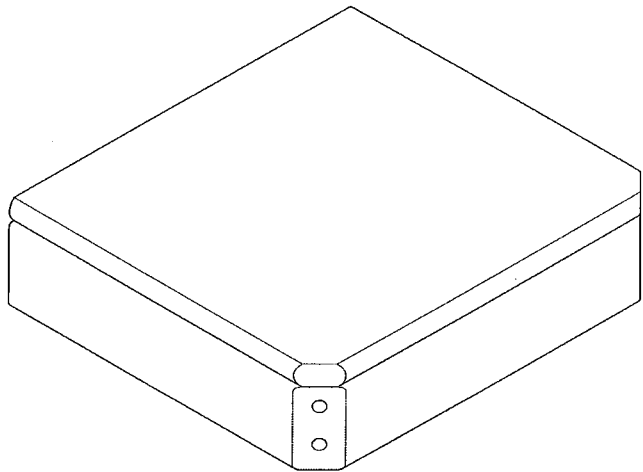


**contents - chairs**

1 x2



2 x2

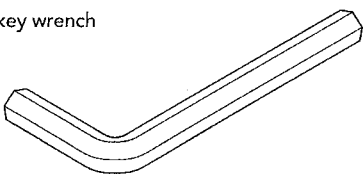


3 x4

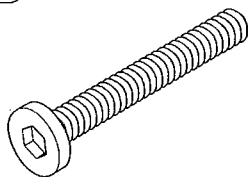


4 x1

allen key wrench



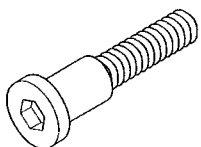
5 x8



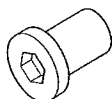
6 x8



7 x8



8 x8



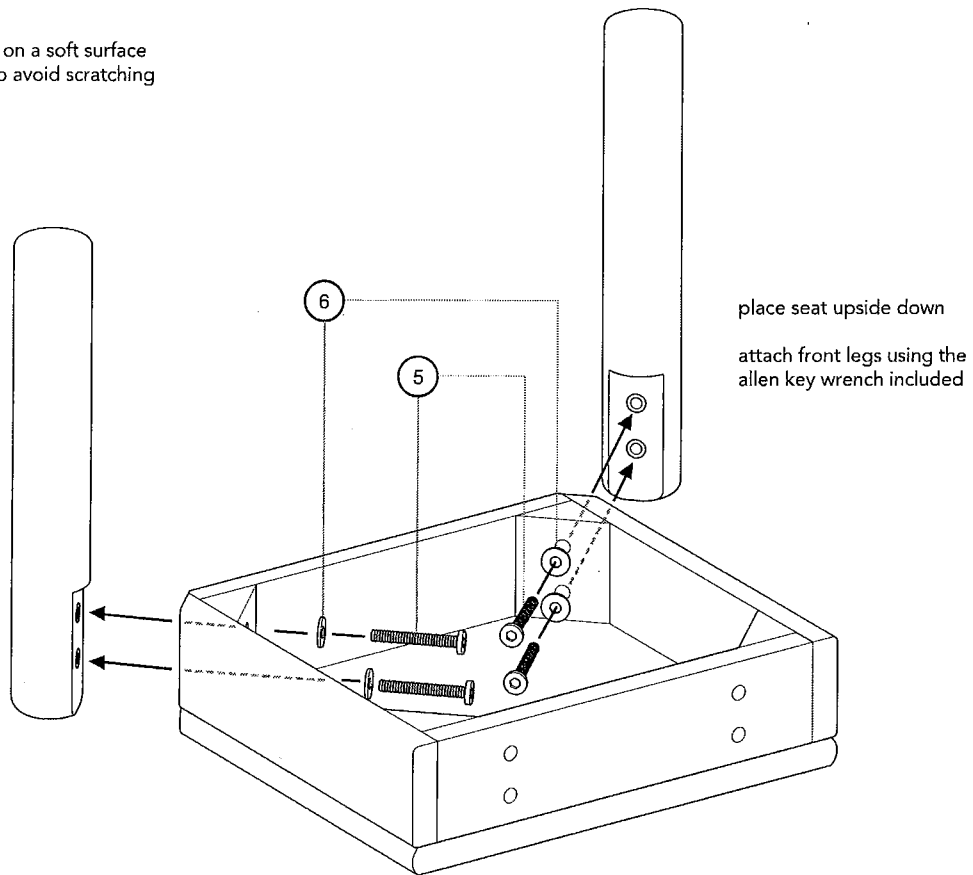
9 x8



## assembly-chairs

1

note: assemble furniture on a soft surface such as a carpet or rug to avoid scratching



2

turn assembled seat and front legs on side

attach chair back using the allen key wrench included

