

9 months +

Adult assembly required

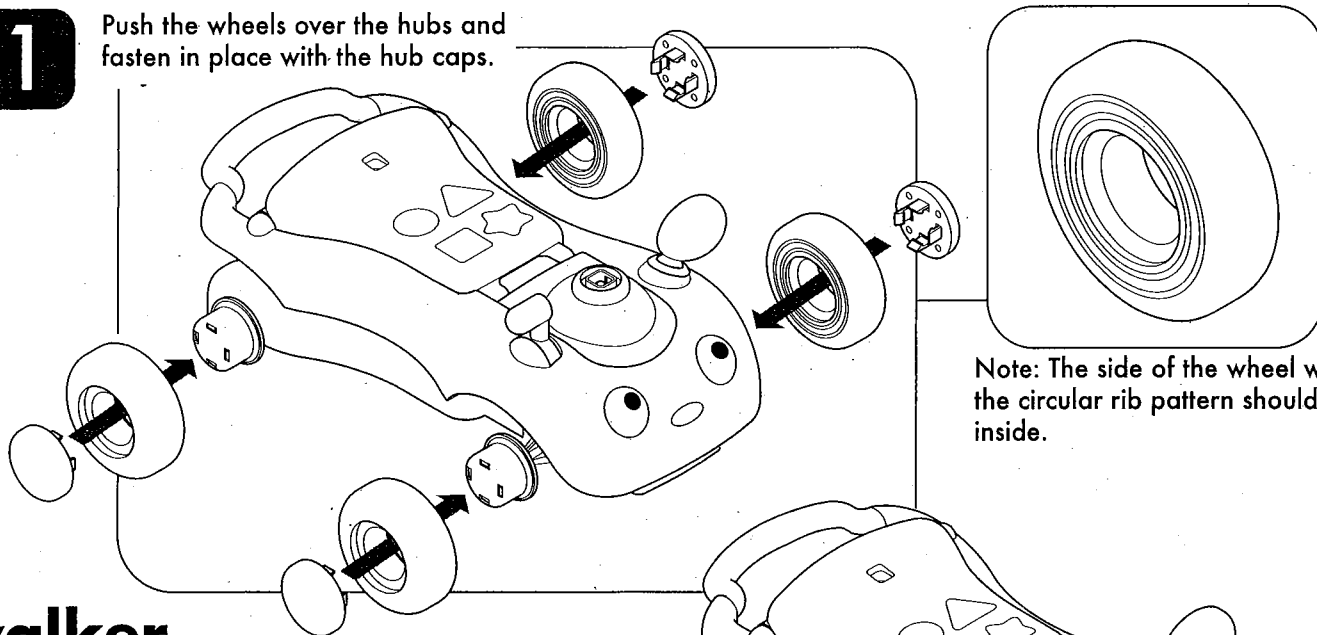
Important! Read the instruction fully before starting to assemble. May present dangers if it is not correctly assembled.

wobble...toddle...ride

assembly instructions

1

Push the wheels over the hubs and fasten in place with the hub caps.

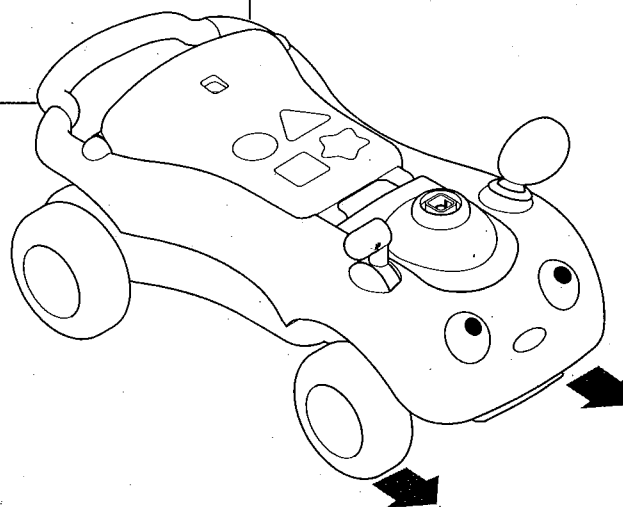


Note: The side of the wheel with the circular rib pattern should face inside.

walker

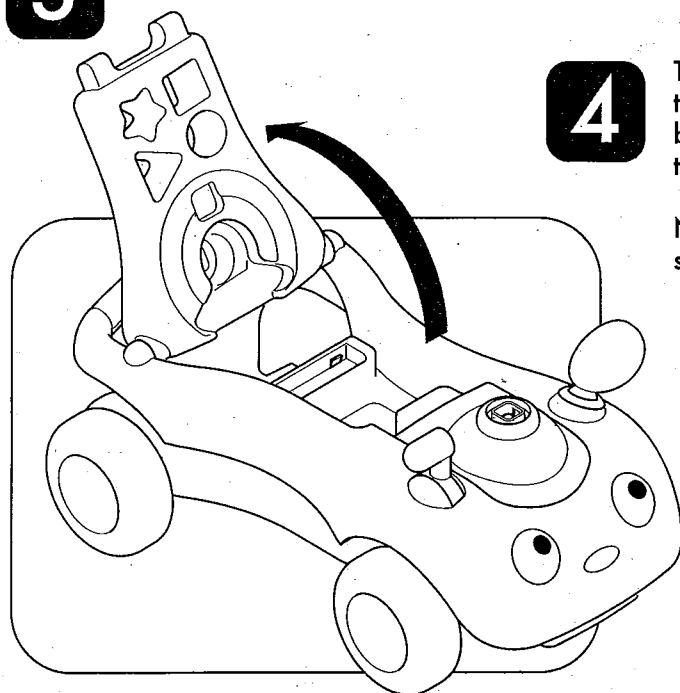
2

Make sure the front wheels are pointing forwards, if they are turned to either side turn them until they click into a forward facing direction.



3

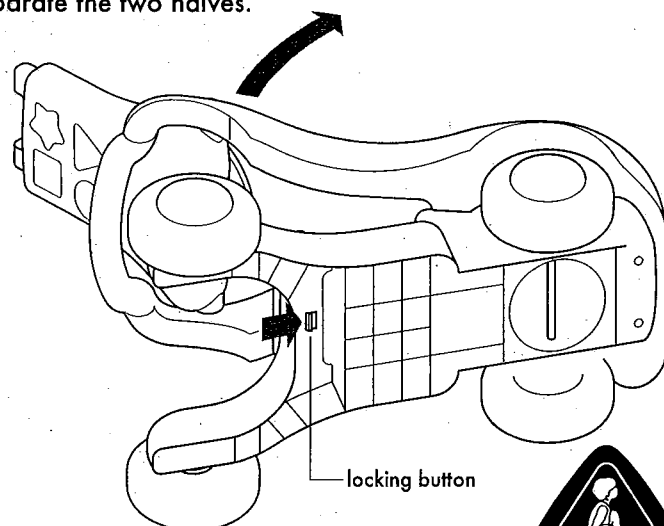
Lift the seat up.



4

Turn the toy on its side and push the locking button on the underside to release the top. As you push the button lift the top away from the bottom holding onto the seat.

Note: If the seat is not up you will not be able to separate the two halves.



SKU: 113764

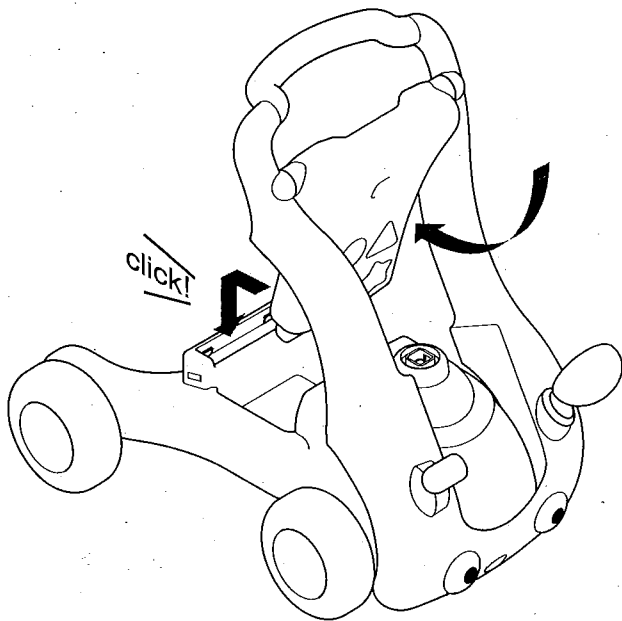
Early Learning Centre® Swindon SN3 4TJ England.

Customer Service Department 01793 443322

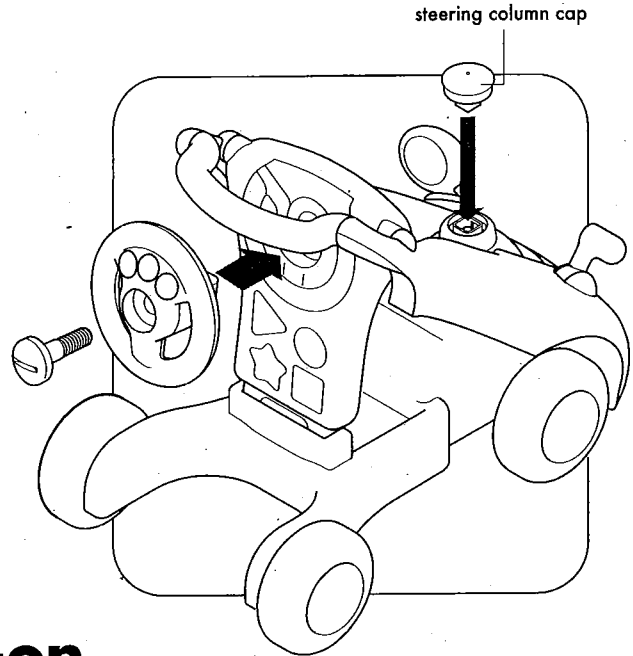


5

Swing the seat through and push it into the recessed area on the base until it clips into place.

**6**

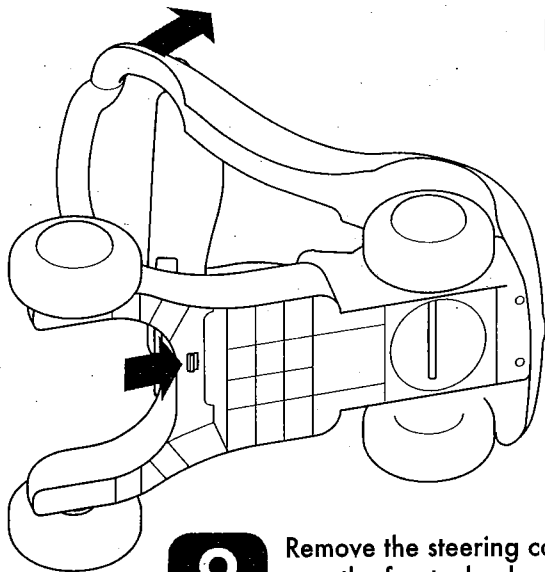
Insert the steering wheel into the recess under the seat. Tighten bolt with a coin. Cover the steering column with the cap.



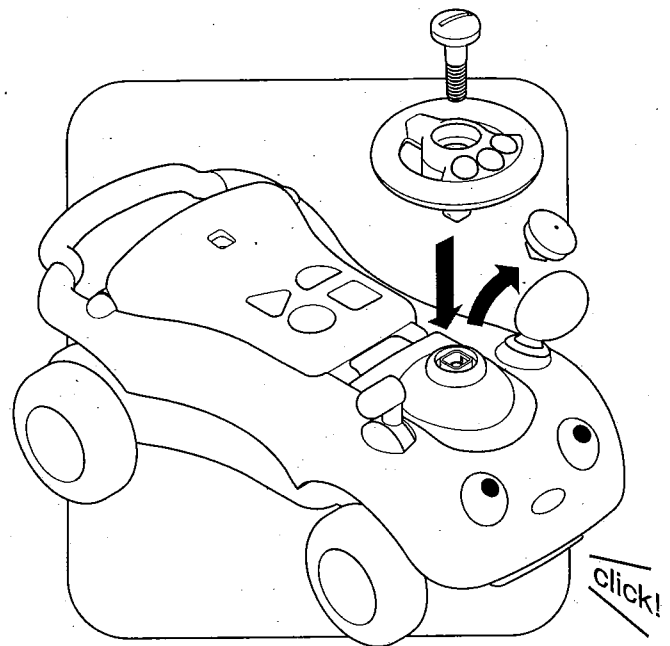
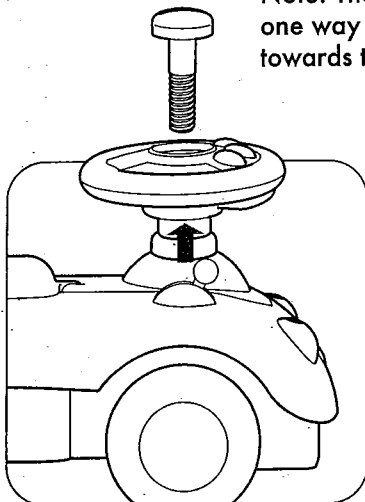
ride-on

7

Turn the toy on its side and push the locking button on the underside to release the top, pulling the seat out as you push the button. Close the top onto the bottom.

**8**

Remove the steering column cap. Make sure the front wheels are pointing forwards. Place the steering wheel into the steering column, insert the bolt and tighten with a coin.
 Note: The steering wheel will only fit in one way around - with the buttons towards the front.



To remove the steering wheel in order to convert back into a walker, make sure the wheels are pointing forwards, unscrew the bolt with a coin and pull upwards.

SKU: 113764

Early Learning Centre® Swindon SN3 4TJ England.
 Customer Service Department 01793 443322

