



# toy box

assembly instructions

113065/1147410506

Early Learning Centre®  
Swindon SN3 4TJ England.

**Customer Service Department**  
**01793 443322**

## contents

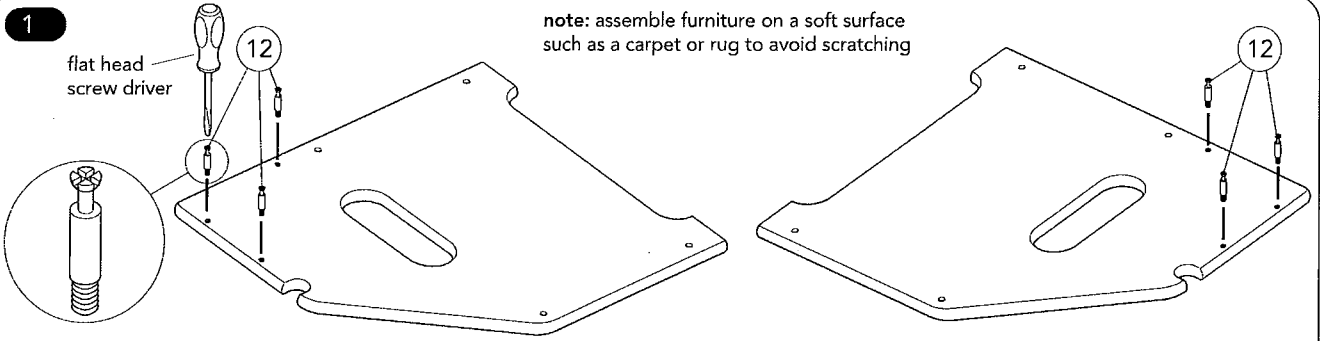
<b>1 x1</b> 	<b>2 x1</b> 	<b>4 x4</b> 	<b>5 x1</b> 
<b>6 x1</b> 	<b>7 x1</b> 		
<b>8 x1</b> 	<b>9 x9</b> 	<b>10 x2</b> 	
<b>11 x10</b> 	<b>12 x9</b> 	<b>13 x2</b> 	

**assembly**

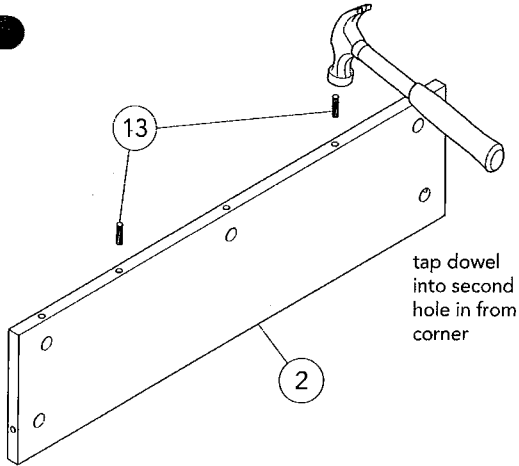
1

flat head screw driver

note: assemble furniture on a soft surface such as a carpet or rug to avoid scratching

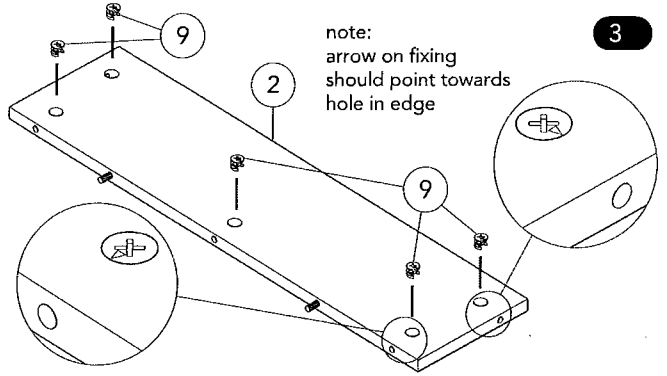


2



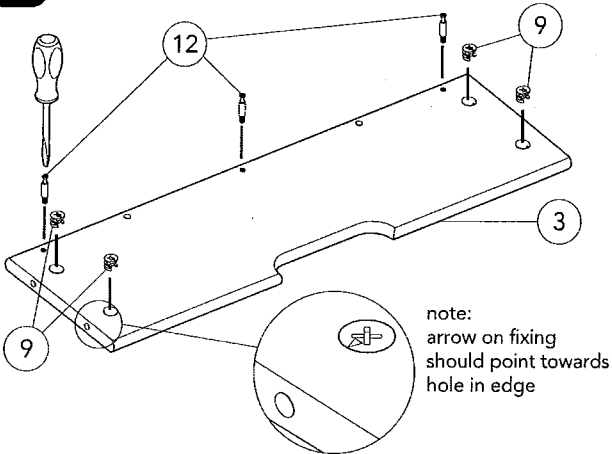
tap dowel into second hole in from corner

3



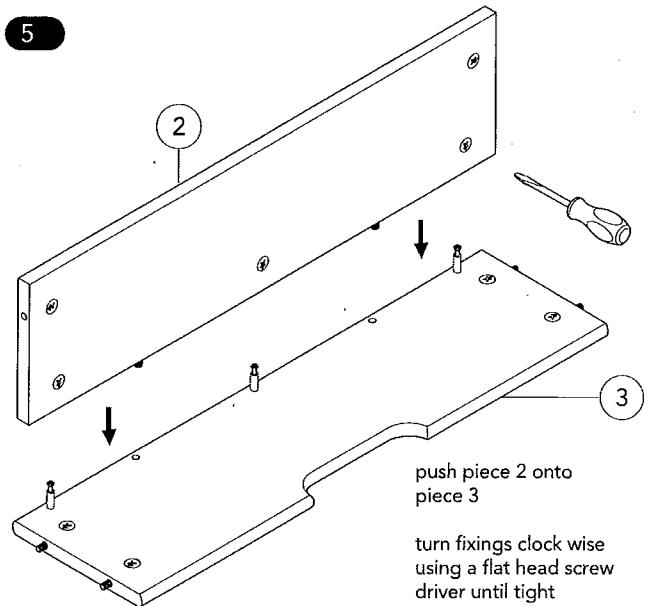
note: arrow on fixing should point towards hole in edge

4



note: arrow on fixing should point towards hole in edge

5



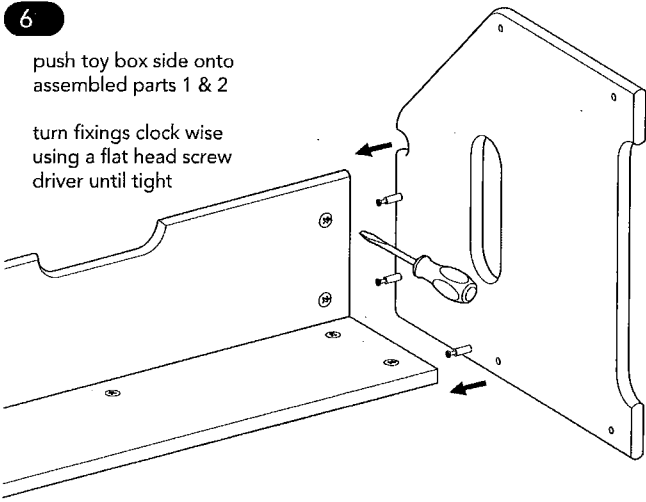
push piece 2 onto piece 3

turn fixings clock wise using a flat head screw driver until tight

6

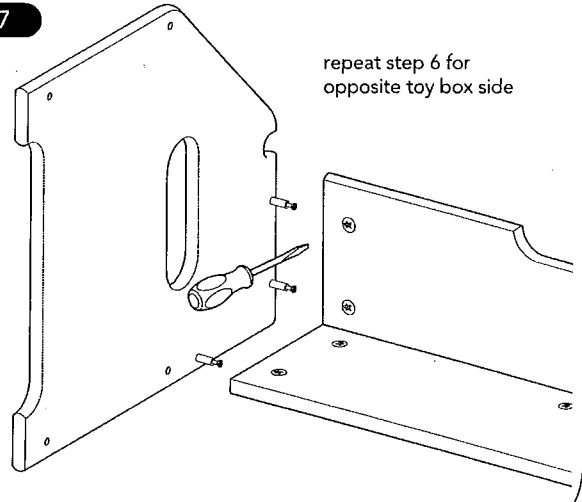
push toy box side onto assembled parts 1 & 2

turn fixings clock wise using a flat head screw driver until tight



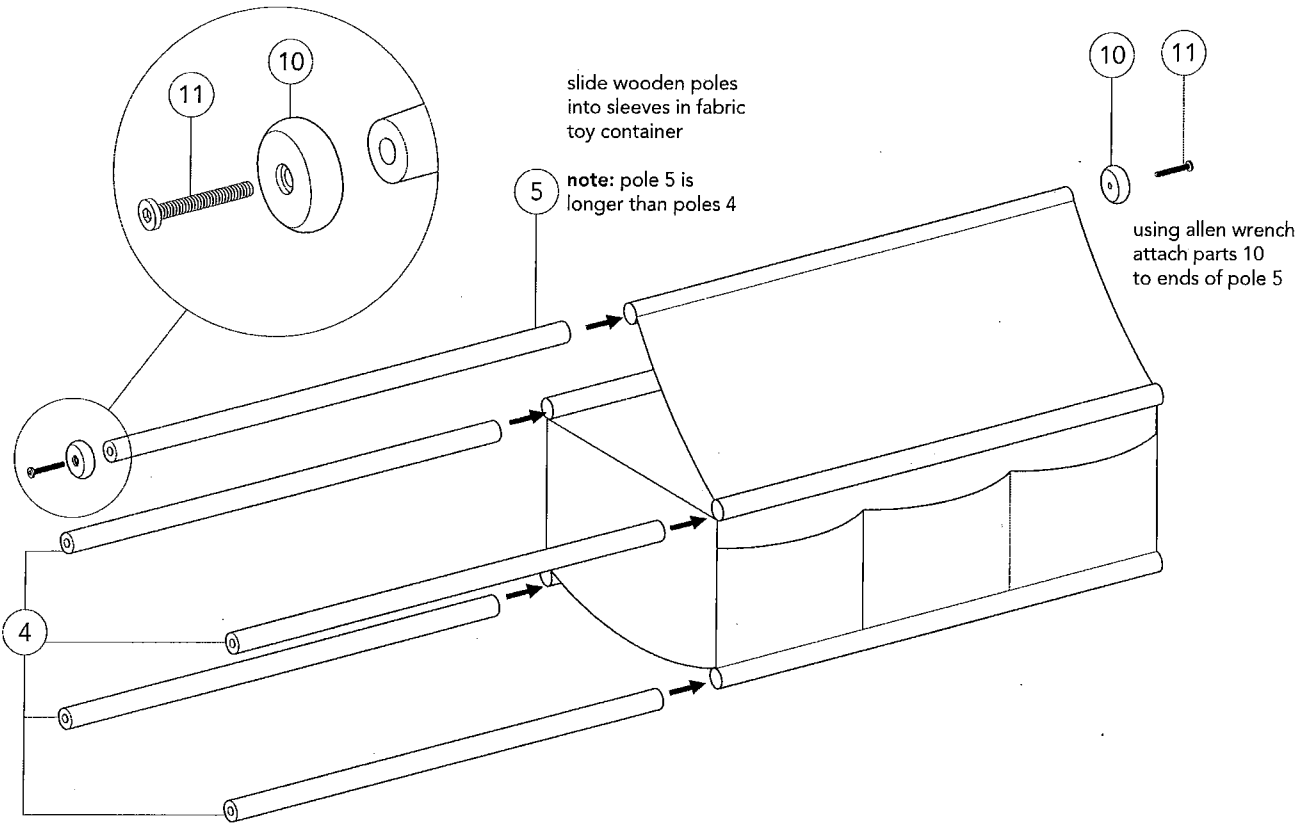
7

repeat step 6 for opposite toy box side



**assembly**

8



9

