



spiral art

instructions

114737 0306
Early Learning Centre®
Swindon SN3 4TJ England.

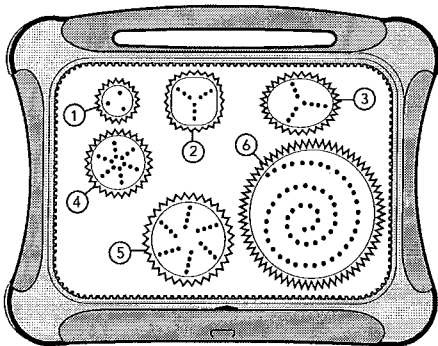
Customer Service Department
01793 443322

contents

5 types of spirals

(A)			outer frame on its own makes square shaped patterns	=	
(B1)		(B2)	2 circular half frames together can make circle shaped patterns	=	
(C1)		(C2)	2 oval half frames together can make oval shaped patterns	=	
(B+C)			1 oval half frame and 1 circle half frame make egg shaped patterns	=	
(D)			the irregular frame makes butterfly-effect like patterns	=	

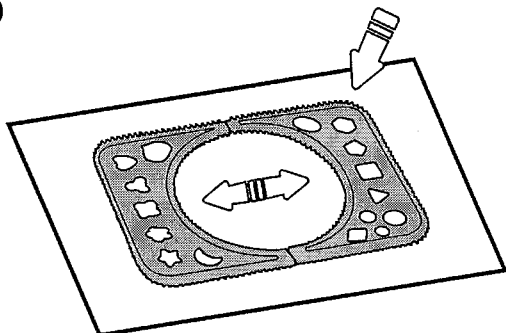
cog function



		Cog					
		1	2	3	4	5	6
Frame							
(A)		✓	✓	X	✓	✓	X
(B1)		✓	✓	✓	✓	✓	✓
(C1)		✓	✓	✓	✓	✓	✓
(B+C)		✓	✓	✓	✓	✓	✓
(D)		✓	✓	✓	✓	✓	X

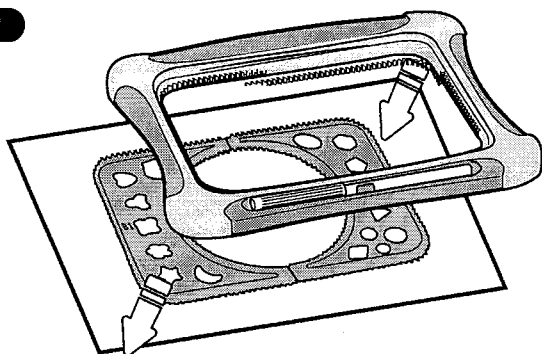
now to play

1



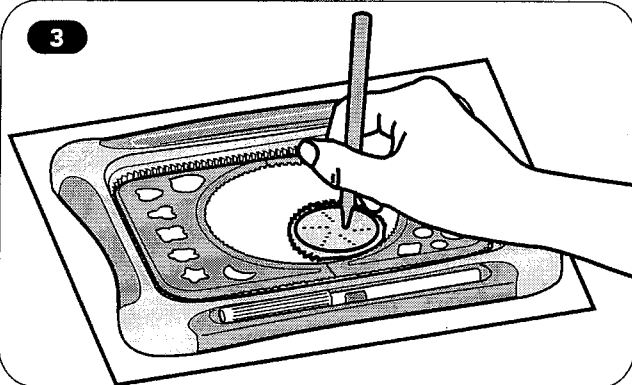
Choose the inner frame you wish to use and place it centrally on top of a sheet of paper making sure that the letters at the sides face upwards.

2



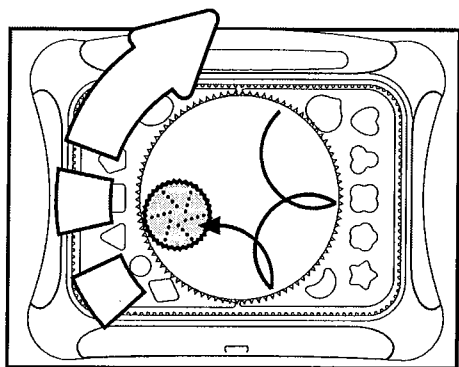
Position the Spiral Art outer frame over the inner frame so that both are sitting on top of the paper. Ideally the paper should be as big as the Spiral Art.

3



Choose a cog and place into the inner frame, next choose a pen and insert the nib into one of the holes in the cog. Slowly move the pen so that the cog starts to move around, inside the inner frame.

4



Continue to move the cog with pen until you produce the spiral effect that you desire. You can use different coloured pens and different cogs to create endless patterns and effects!