



Early Learning Centre

SIZZLIN' KITCHEN Ref: 101 115

	Ref.	Qté.				Ref.	Qté.
	A	1				I	1
						S	1
	E	1		H	1		P
	F	1		B	1		
	L	1		M	1		R
	G	1		C	1		K
	T	1		J	1		Q
	U	1		D	4		
	V	1		N	1		O

AAP 0433 A

A assembler par un adulte
 To be assembled by an adult
 Der Aufbau muss durch einen Erwachsenen erfolgen
 Skal samles af en voksen
 Montado por un adulto
 Asennuksen saa tehdä vain aikuinen
 L'articolo deve essere assemblato da un adulto
 Het monteren dient door een volwassene te worden gedaan
 A ensamblar por um adulto
 Sammansättning bör utföras av en vuxen

Please keep a note of our company name and address :

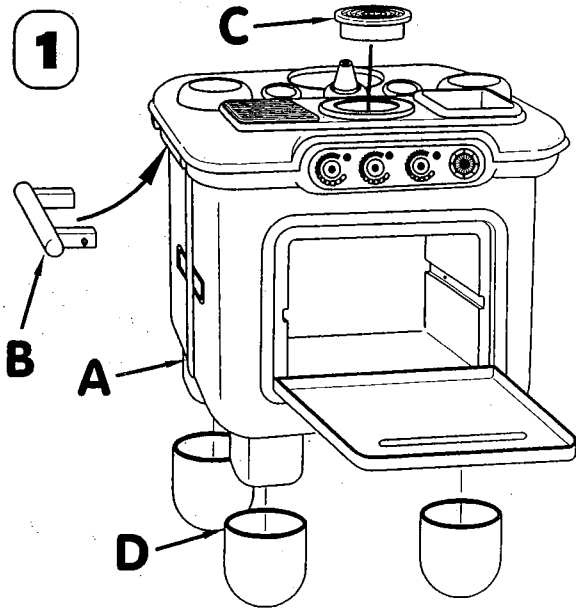
ELC
 SOUTH MARSTON
 - PARK
 SWINDON SN3 4TJ
 UK



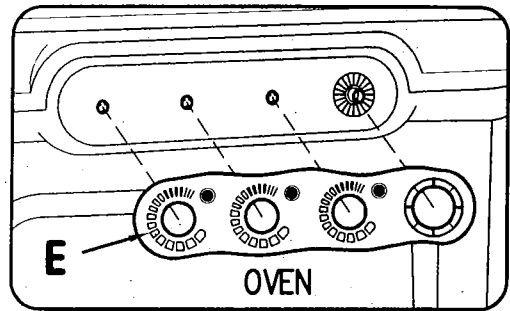


Early Learning Centre

SIZZLIN' KITCHEN Ref: 101 115

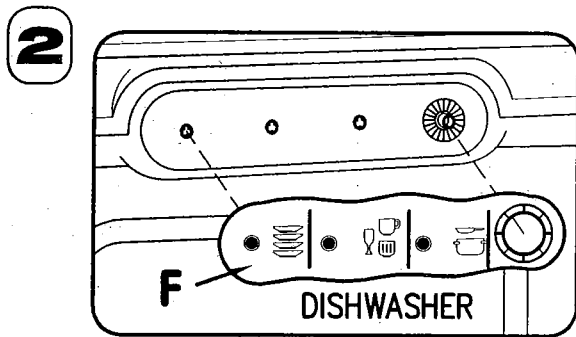


F. COTE FOUR
GB. OVEN SIDE
D. SEITE DES BACKOFENS
E. LADO HORNO
NL. OVEN KANT
I. LATO FORNO

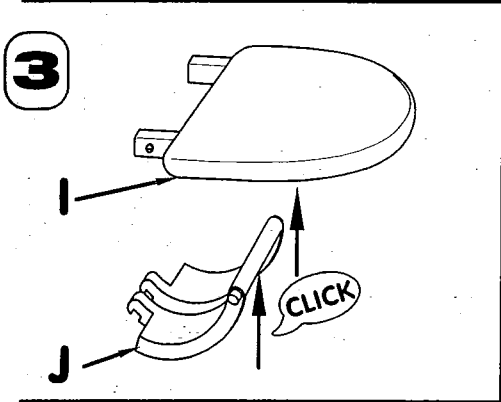
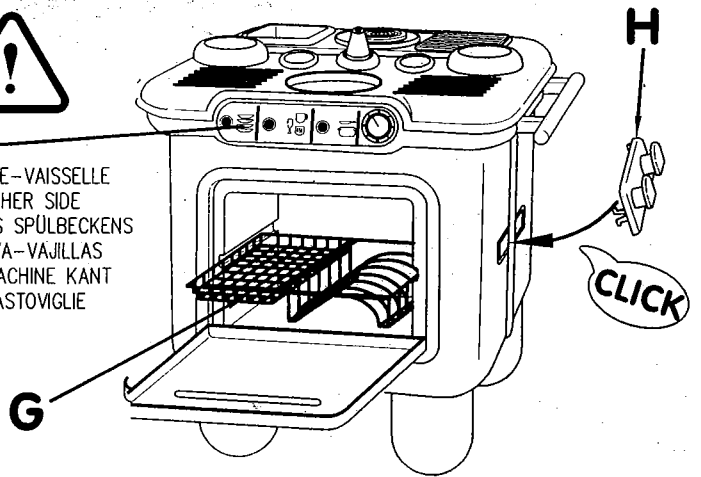


(GB) **IMPORTANT** ! Firstly locate oven side and then dishwasher. Place stickers on correct side before starting assembly.
SPECIAL NOTICE : Oven side has 4 knobs. Dishwasher side has only 1 knob. Ensure knobs are fitted to correct side.

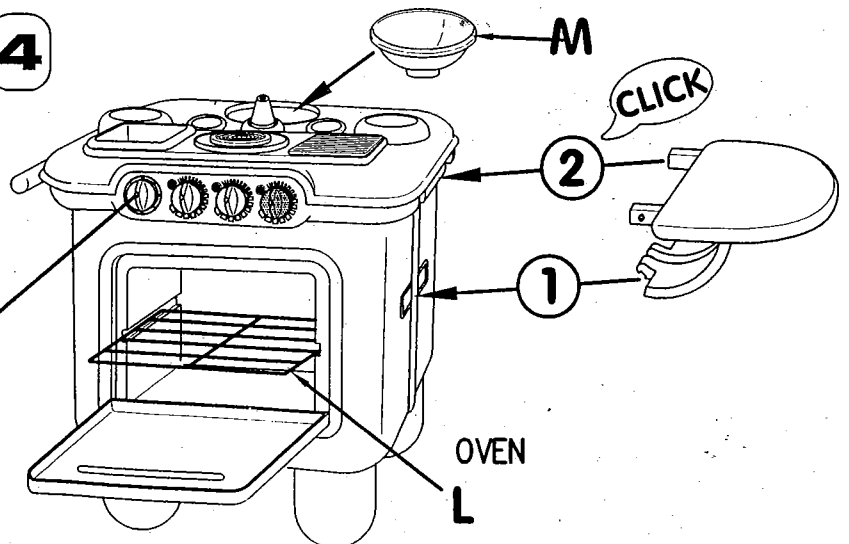
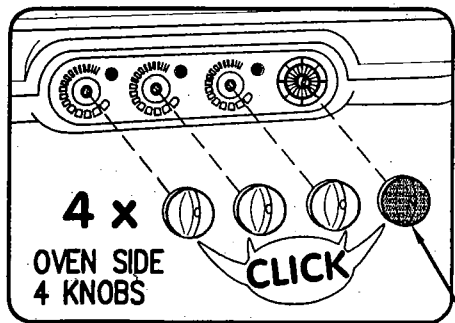
- (F) **ATTENTION** ! Cover les adhésifs avant de continuer
- (D) **ACHTUNG** ! Bitte montieren Sie die Aufkleber, bevor Sie mit der Montage fortfahren
- (NL) **OPGELET** ! Beleg eerst de klevers aan
- (E) **ATENCIÓN** ! Pegar los adhesivos antes de seguir
- (I) **ATTENZIONE** ! Incollare le adesive prima di proseguire



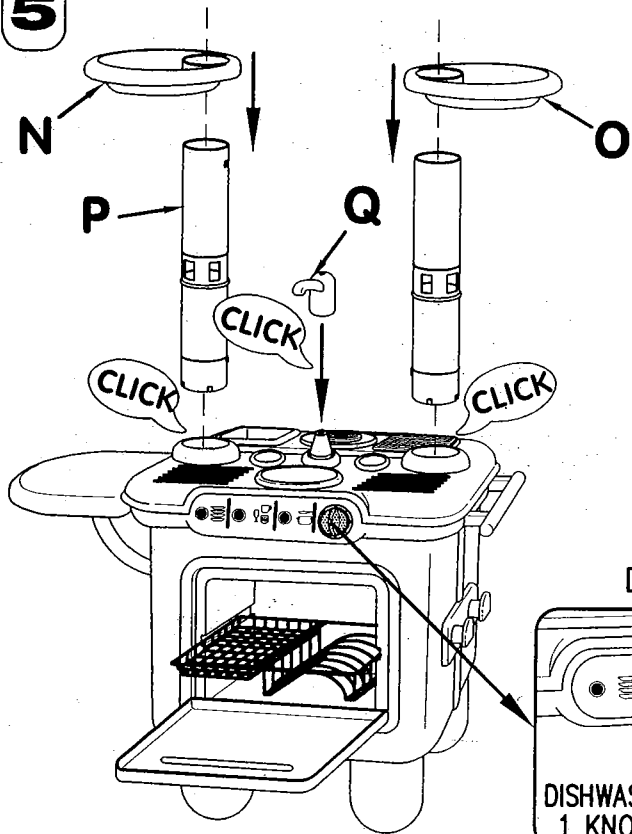
F. COTE LAVE-VAISSELLE
GB. DISHWASHER SIDE
D. SEITE DES SPÜLBECKENS
E. LADO LAVA-VAJILLAS
NL. AFWASMACHINE KANT
I. LATO LAVASTOVIGLIE



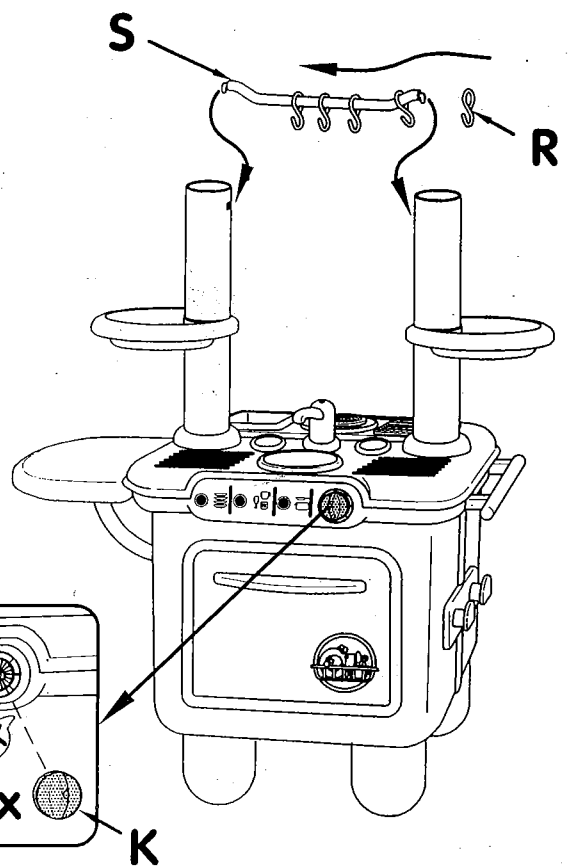
4



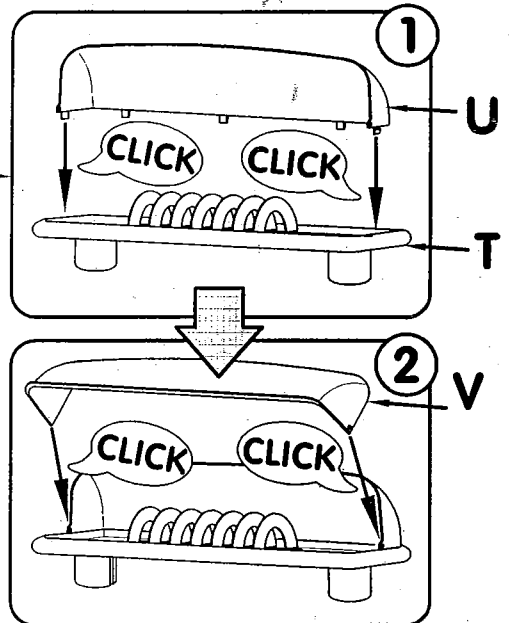
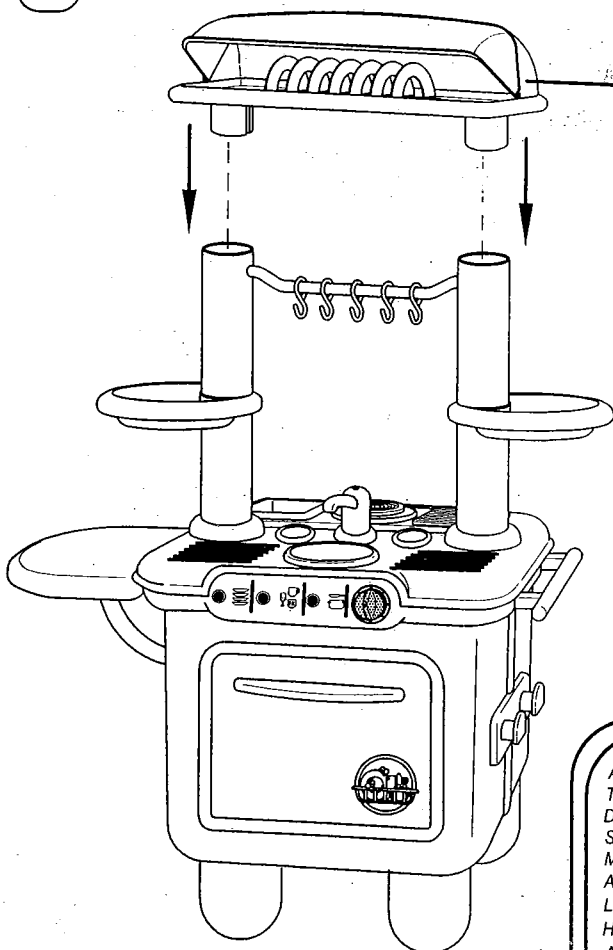
5



6



7



AAP 0433 A



A assembler par un adulte
 To be assembled by an adult
 Der Aufbau muss durch einen Erwachsenen erfolgen
 Skal samles af en voksen
 Montado por un adulto
 Asennuksen saa tehdä vain aikuinen
 L'articolo deve essere assemblato da un adulto
 Het monteren dient door een volwassene te worden gedaan
 A ensamblar por um adulto
 Sammansättning bör utföras av en vuxen

Please keep a note of our company name and address :

ELC
 SOUTH MARSTON
 PARK
 SWINDON SN3 4TJ
 UK

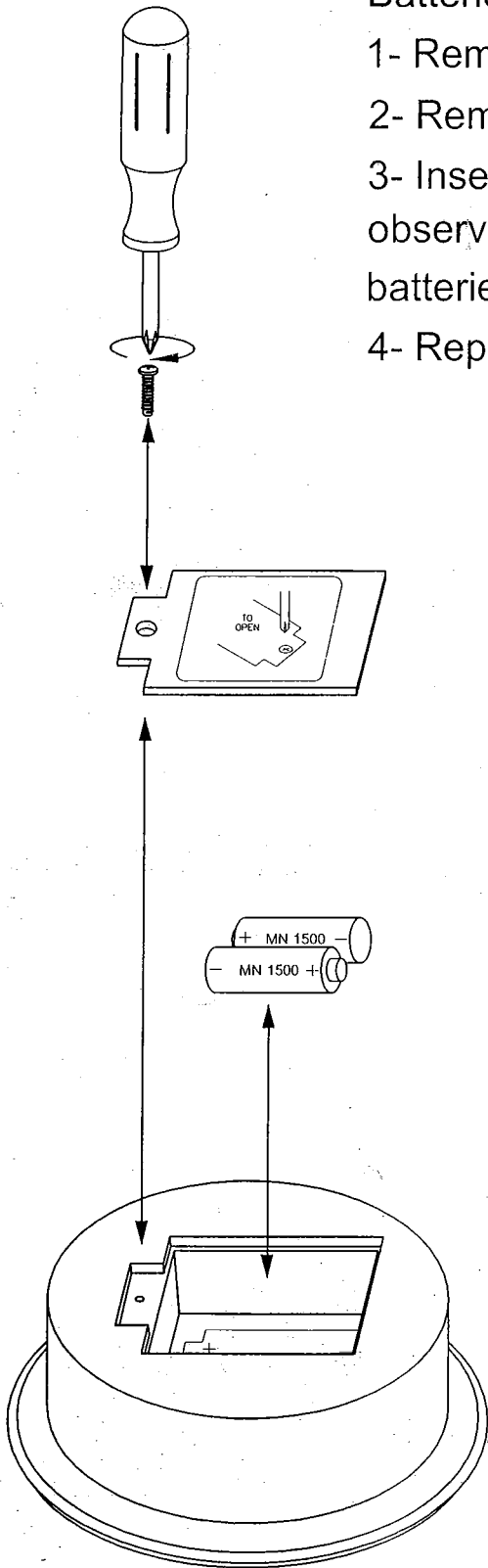
Batteries should be replaced by an adult.

1- Remove small locking screw and battery cover.

2- Remove used batteries.

3- Insert 2 x MN 1500 (AA,LR6) batteries, observing the "+" and "-" signs marked on the batteries and compartement.

4- Replace the battery cover and screw.



THE SOUND FUNCTION MAY BE IMPAIRED
IF THIS UNIT BECOMES WET.
WIPE CLEAN ONLY.
DO NOT IMMERSE.

