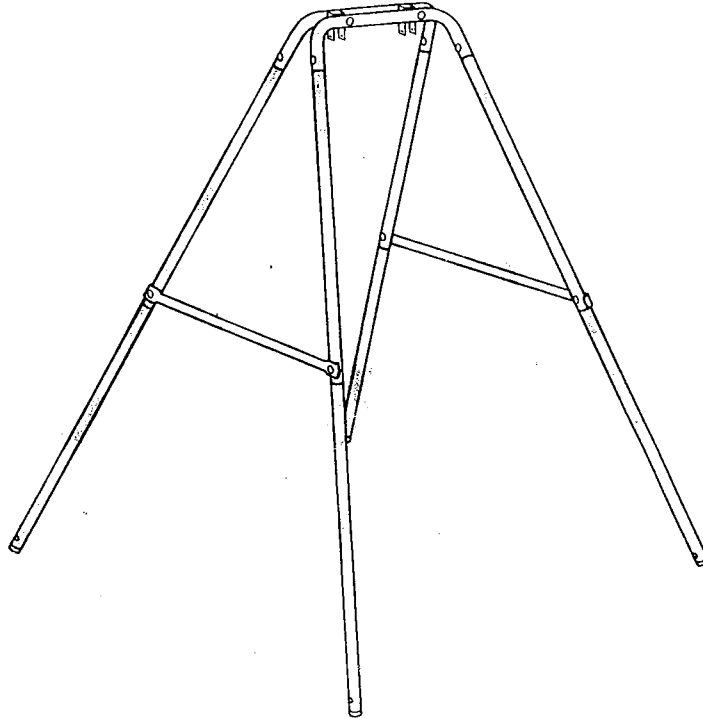




# Single Swing Frame

## Assembly Instructions



### IMPORTANT

Before you assemble the Single Swing Frame, it is important that you **read the safety notice below and on the back page then read and follow the instructions carefully**. If you have any problems, queries or concerns, please telephone our Customer Services Department on 0990 352 352.

#### IMPORTANT SAFETY NOTICE

Always position the Single Swing Frame on a soft, flat, level surface such as grass. NEVER position your Single Swing Frame on a hard surface.

The Single Swing Frame is not designed for use by adults or for children weighing more than 35kg (5½ stone). Always ensure the ground around and immediately underneath the Single Swing Frame is clear of all toys or other objects that might cause injury to your child.

Only allow one child on the Single Swing Frame at any one time.

#### WARNING

This product to be used under the direct supervision of an adult or adults.

**THE RECOMMENDED AGE FOR USE OF THIS PRODUCT IS UP TO 8 YEARS ALTHOUGH PARENTAL DISCRETION SHOULD BE USED.**

Check nuts and bolts regularly and tighten if necessary. If they are not checked, bolts can work loose and component parts may become detached and cause injury.

The full safety instructions can be found on the back page of this leaflet - read them carefully and show your children how to use this piece of apparatus safely.

#### BEFORE YOU START

The Early Learning Centre Single Swing Frame can be used with any of the Early Learning swing seats, which are sold separately.

This leaflet gives instructions for assembling the frame and for attaching the seat. The Single Swing Frame should be assembled by an adult, perhaps with another adult to help. Taking time over the assembly helps to ensure safety. You should allow about an hour to complete the job. Use spanners provided.

We recommend that you check all the parts against the parts list on page 2 before starting.

#### QUALITY

The Single Swing Frame is made from strong steel tubes, galvanised to combat rusting from the inside and coated with a tough polyester paint. All other metal parts i.e. nuts and bolts have been specially plated. The product has been fully tested for paint toxicity and for mechanical and physical properties. Certificates have been granted for British Standard BS 5665 and European Standard EN71.

#### CARE OF YOUR SINGLE SWING FRAME

Please note that your 10 year guarantee against rust perforation does not cover rust due to chipped paint work. Check the paint work regularly and if necessary touch up using non-toxic enamel or car type paint (available from good DIY stores). We regret we cannot supply paint as the type we use is suitable only for machine application.

*Toys that make learning fun!*

# IMPORTANT!

## AMENDMENT TO YOUR SINGLE SWING FRAME INSTRUCTIONS

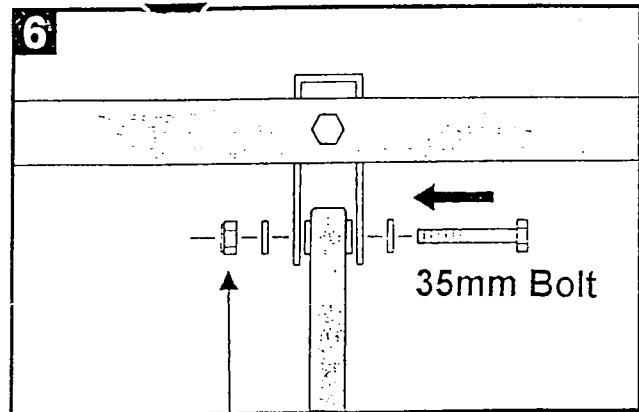
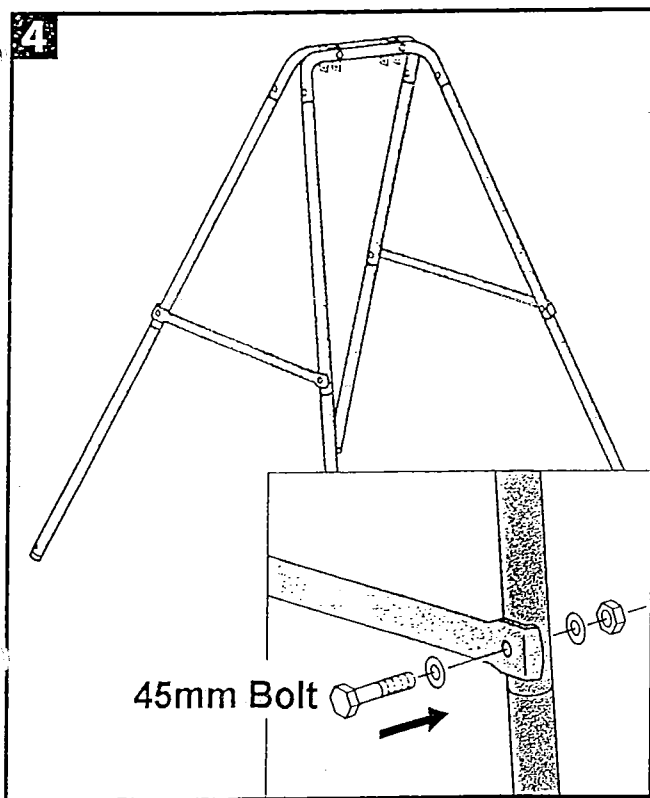
*As part of our continuous improvement policy, the following changes have been made to your Single Swing Frame:-*

**Parts List Amendment:** The hardware pack now contains only 4 x 40mm bolts and no 30mm bolts. The following have been added - 4 x 45mm bolts and 2 x 35mm bolts.

**Assembly (Step 4):** To fit the Cross Supports to each set of legs, use the 45mm bolts (supplied) and not the 40mm bolts as described in your instruction leaflet

**Assembly (Step 6):** To attach the swing of your choice to the Suspension Brackets, use the 35mm bolts (supplied). Follow the assembly instructions carefully and ensure that three bolt threads protrude through the Locking Nuts once fully tightened.

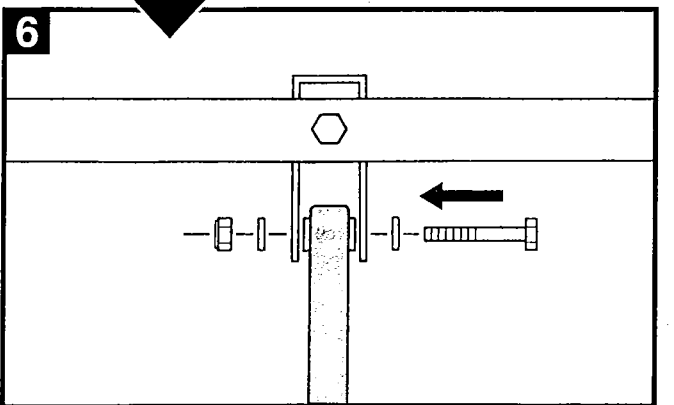
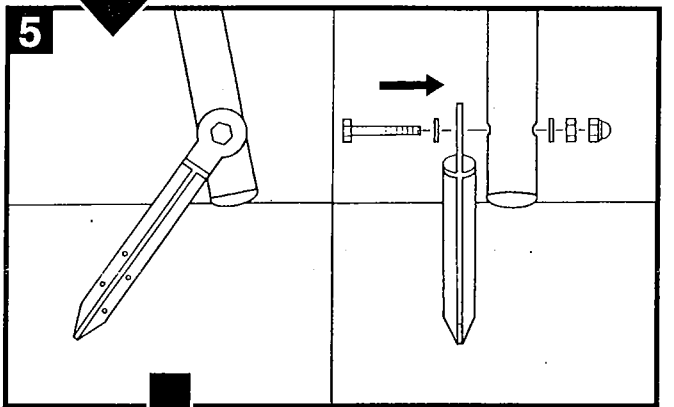
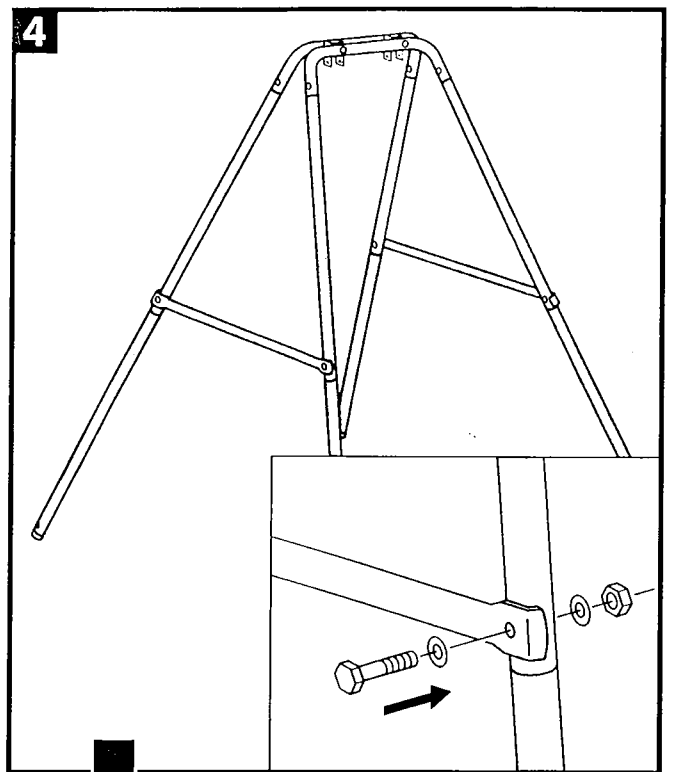
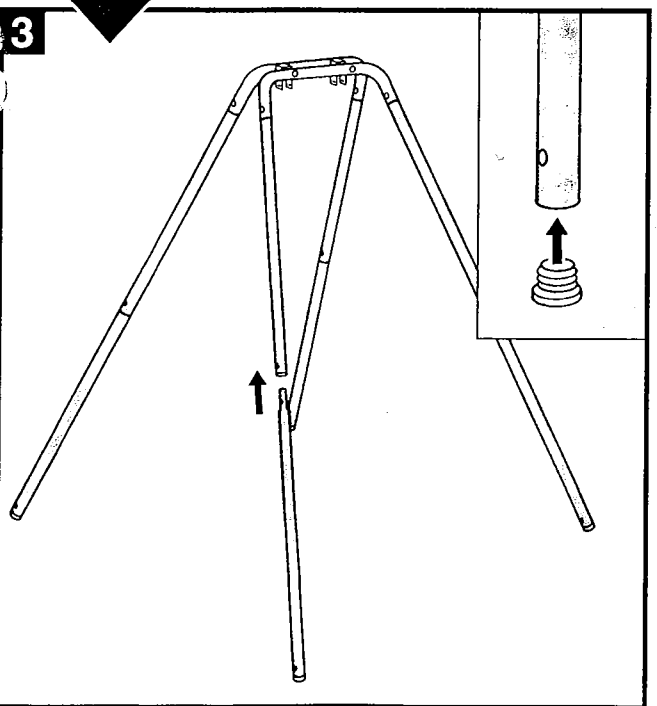
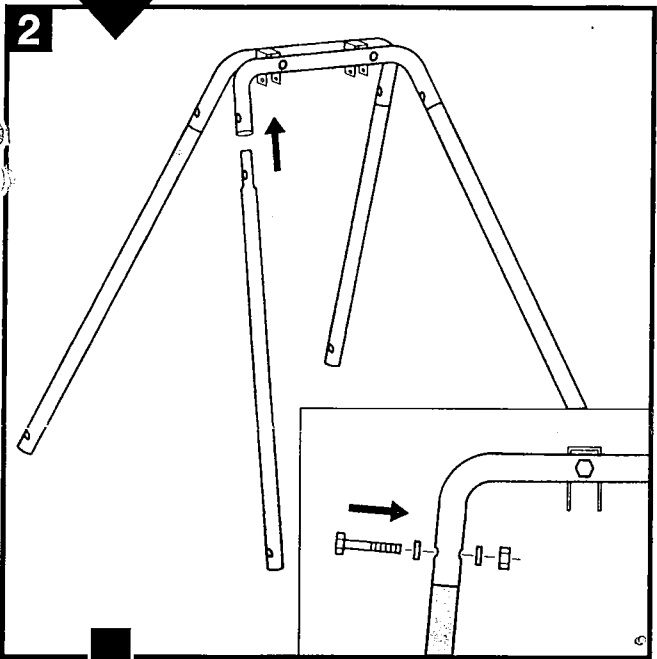
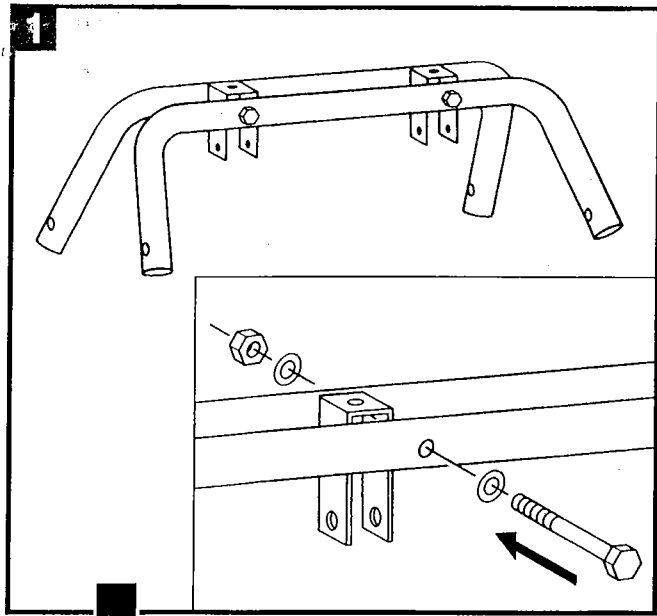
PLEASE REFER TO YOUR FULL INSTRUCTION LEAFLET FOR ASSEMBLY DETAILS



**IMPORTANT!**  
Ensure 3 bolt threads protrude once Locking Nut is fully tightened!

EARLY LEARNING CENTRE CUSTOMER SERVICES  
DEPARTMENT-TELEPHONE:0990 352 352

AMD-ELCSWINGFRAME



## Parts List

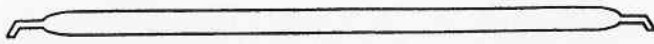
Please check and identify all component parts before you commence assembly.

This product should only be assembled by adults. It is advisable for two people to assemble this product,

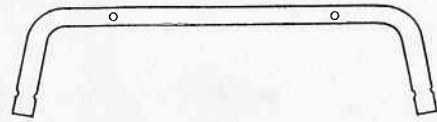
Leg Section x 8



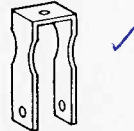
Cross Support x 2



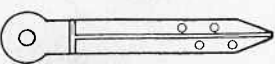
Top Section x 2



Suspension Bracket x 2



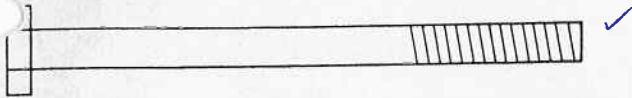
Yellow Ground Anchor x 4



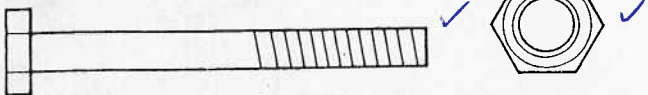
Spanner



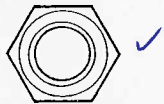
80mm Bolt x 2



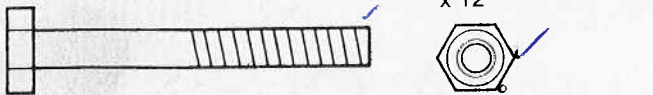
50mm Bolt x 4



Large Plain Nut x 2



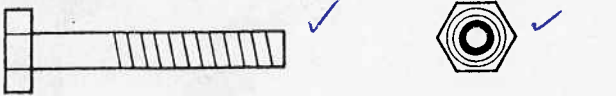
40mm Bolt x 8



Standard Plain Nut x 12



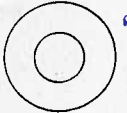
30mm Bolt x 2



Locking Nut x 2



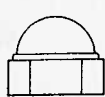
Large Washer x 4



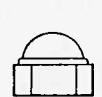
Small Washer x 28



Large Dome Nut x 2



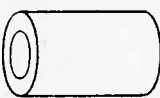
Small Dome Nut x 12



Large Foot bung X 4



Grey Nylon Tube x 2



Please note: parts are not shown to scale.  
Replacement parts can be ordered at ELC stores.

## Bolt Measure (mm)

Use this handy ruler to measure your bolts. Remember to measure from the neck to the end of the thread.



## Assembly

Important: To ensure the safety of the product, each step must be followed in the correct order.

**1** Place a large washer on both 80mm bolts and pass them through the holes in the two top sections. Suspension brackets should be placed between the top sections and bolts pass in between them as shown. Attach another large washer to the end of the bolts and secure using large plain nuts.

**2** Insert four leg sections into the top section tubes and secure using 40mm bolts, small washers and standard plain nuts.

**3** Take the remaining four leg sections and insert large foot bungs into the non-tapered end of the tubes. Insert the leg sections into the other top sections.

**4** Offer up cross supports to each set of legs ensuring the curled ends fit snugly around the legs. Attach to legs using 40mm bolts, small washers and standard plain nuts.

Use the spanners to tighten all the nuts, then add a dome nut to every bolt and tighten.

**5** Attach ground anchors to the outside base of the legs using 50mm bolts, small washers, standard plain nuts and finally small dome nuts. Make sure to tighten the standard plain nut before you tighten the small dome nut.

Drive all anchors to the ground at an angle of 45 degrees to optimize pull out resistance.

We strongly recommend the ground anchors are set in concrete. To do this dig holes for the concrete 30cm deep by 30cm square mark the positions for the anchors, remove them from the legs and concrete them in before reattaching the legs 24 hours later when the concrete has fully set.

**Handy hint:** Drive the ground anchors through a piece of cardboard before laying them at 45 degrees in to the concrete. This stops the anchors slipping beneath the surface of the wet concrete mix.

**6** Attach the swing of your choice to the brackets using 30mm bolts, washers, nylon tubes and locking nuts as shown.

Tighten all nuts and bolts fully – do not overtighten.

## Safety

- This product must be assembled by adults.
- Keep young children away from the assembly area. Small component parts could cause injury and or be swallowed by a young child.
- It is essential this product is used correctly, therefore supervision by two adults during use is strongly recommended. **DO NOT** leave the child unattended.
- Only use on a flat, level lawn **DO NOT** use on a patio, driveway or any hard surface.
- The recommended age for use of this product is up to 8 years, although parental discretion should be used.
- **DO NOT** let more than one child at a time use this product.
- **DO NOT** allow children to walk in front or behind the swing when in use.
- **DO NOT** stand on swing.
- **DO NOT** jump off the swing whilst it is moving.
- This product is not designed for adults or for children weighing more than 35kg (5½ st).
- **DO NOT** allow children to wear cycle helmets or other hard hats on the swing.
- **DO NOT** allow children to wear loose fitting jackets, hoods or other loose clothing when using this product.
- Check nuts and bolts regularly and tighten if necessary.

**Above all – enjoy your new product and please keep safety in mind.**

**IMPORTANT:** This product must not be used for commercial purposes. Designs, specifications and colours depicted are subject to change without notice.

### GUARANTEE

The metal framework of the equipment detailed within, is guaranteed by the Early Learning Centre, a division of John Menzies (UK) Limited, for a period of 10 years from the date of purchase against rust perforation.

Rust perforation is defined as the rusting-through of metal tubes due to rust corrosion 'from the inside out'.

Any defective part or parts will (as we see fit) either be exchanged or repaired free of charge. This guarantee does not cover any damage caused by storms, fire or floods, or by neglect or misuse. Any repairs or alterations carried out, other than by Early Learning Centre personnel, could also invalidate the guarantee.

Please retain this guarantee and staple your receipt (your proof of purchase) to these instructions for future reference.

This guarantee does not affect or prejudice any statutory right you may have. Please contact your local Early Learning Centre or our Customer Services Department regarding any query or claim on this guarantee. Any claim under this guarantee must be notified to your Early Learning Centre or Customer Services Department within 30 days of discovery of the defect and not later than 10 years from date of purchase.

ELC product ref: 45688

ELC product ref: 45688

Description **SINGLE SWING FRAME**

Customer's name

Address

Postcode

Tel no.

Date of purchase

Mail order no.

ELC shop where purchased

Made in the UK



Conforms to British Standard BS 5665

Customer Services Department, Early Learning Centre, South Marston Park, Swindon SN3 4TJ  
Telephone: 0990 352 352