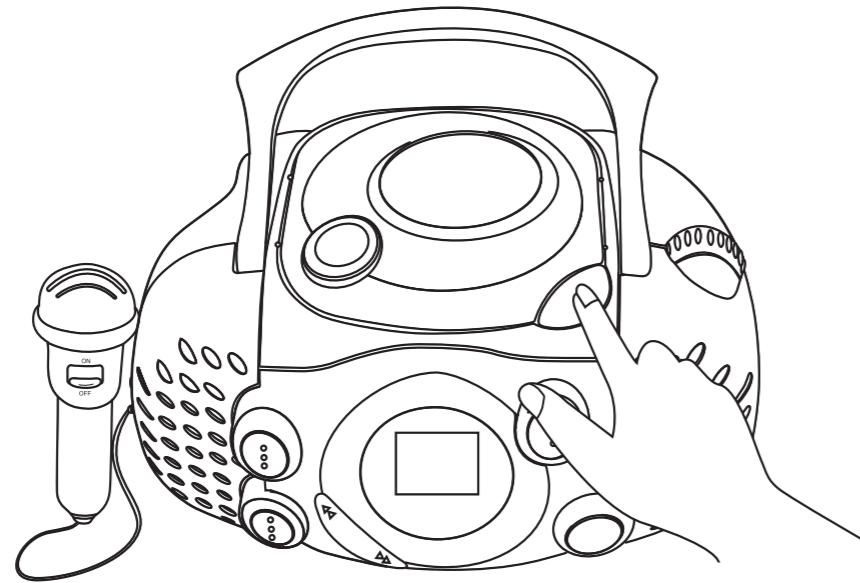


## features

**CAUTION:**  
Never touch the lens.  
Never look directly at the lens.



### TO INSERT CD

1. Push the OPEN key to open the disc lid.
2. Load the CD into the CD compartment with the label side facing up.
3. Press and locate the CD into position properly.
4. Close the lid.

### TO PLAY CD

1. Turn the volume knob to switch the power on.
2. When the word "load" displays and flashes on the LCD screen, the player will start to read and play the CD automatically.
3. In case the CD player does not play, please see troubleshooting solutions.

### LCD Display Troubleshooting

- 1) Disc does not load nor read:
  - The CD door is not closed properly; close the CD door properly.
- 2) No Disc is located:
  - The disc is not located properly; locate the disc properly.

### TO REMOVE CD

1. Press the STOP button.
2. After the CD stops spinning completely, push the OPEN button to open the lid of CD compartment.
3. Remove the CD from the compartment.

### TO PROGRAM TRACKS

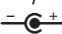
1. In Stop status, press the SET button.
2. Then press F. BACK / B. SKIP or F. FWD / F. SKIP key to choose a track.
3. Press the SET button again.
4. Repeat steps 2 - 3 until you have picked all your favourite songs.
5. Press PLAY/PAUSE button to play your programmed tracks.

Note: Once the STOP button is pressed or if the player is turned off, the programmed songs will be lost.

### PLAYING WITH SING-ALONG MICROPHONE

1. Switch ON the CD player to play the CD
2. Turn on the Sing-along microphone and adjust the volume to a comfortable level.
3. Sing into the microphone along with the songs.

### FOR A/C OPERATION

Use an external transformer (not included) with DC  $\approx$  9V max. 700mA, press the plug into DC jack. 

### OTHER OPERATIONS/FUNCTIONS

#### PLAY / PAUSE

In playing status, press the PLAY/PAUSE key to pause. Press it again to resume playing. In Stop or Program status, press the PLAY/PAUSE key to play the CD

#### F. BACK / B. SKIP

- Press the F. BACK / B. SKIP key once to skip to the previous track.  
- Press and hold the F. BACK / B. SKIP key to go backwards quickly.

#### F. FWD / F. SKIP

- Press the F. FWD / F. SKIP key once to skip to the next track.  
- Press and hold the F. FWD / F. SKIP key to go forward quickly.

#### STOP

- In playing / programming status, press the STOP button to stop playing / programming.

#### P. MODE

Press the P. MODE button to choose one of the following playing modes:

Normal: The CD player plays the CD from the current track to the last track in normal order, and then stops automatically.

One: play the current track repeatedly.

All: play all tracks in normal order repeatedly.

BUILT-IN ANTI-SHOCK: For shock proof function.

#### Note:

The toy must only be used with the recommended transformer.  
The transformer is not a toy.

Toys liable to be cleaned with liquid are to be disconnected from the transformer before cleaning.

The transformer used with the toy should be regularly examined for damage to the cord, plug, enclosure and other parts; in the event of such damage, the toy must not be used with this transformer until the damage has been repaired.

The toy is not intended for children under 3 years old.

Please retain this information for future reference.  
Use under adult supervision due to long cord.



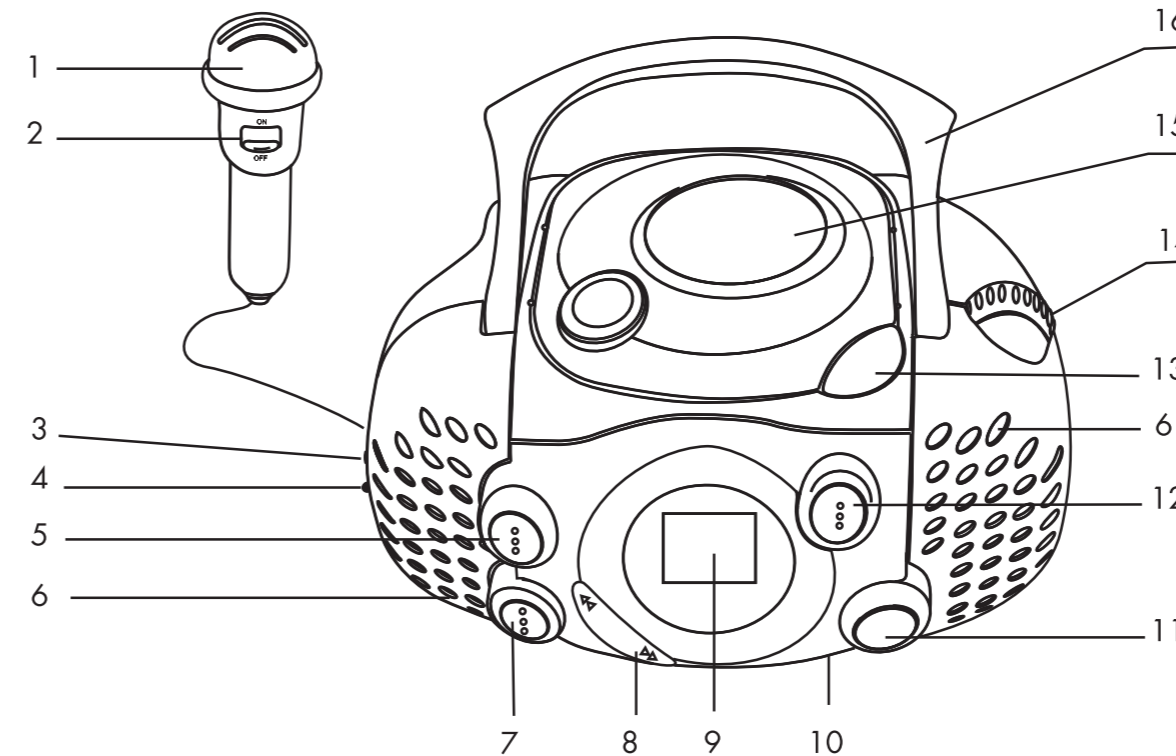
## sing-a-long CD player

### instructions

113617 0306  
Early Learning Centre®  
Swindon SN3 4TJ England.

Customer Service Department  
01793 443322

## features



- |  |                                  |
|--|----------------------------------|
| 1. Microphone                          | 9. LCD Display                   |
| 2. Mic.On/Off Switch                   | 10. Battery compartment          |
| 3. DC Jack                             | 11. Play & Pause key             |
| 4. Mic Jack                            | 12. Stop key                     |
| 5. Set key                             | 13. Open key                     |
| 6. Speaker                             | 14. Volume control (On/Off) knob |
| 7. P.Mode key                          | 15. Disc Compartment             |
| 8. F.Back / B. Skip & F. Fwd / F. Skip | 16. Carry handle                 |

SKU no. 113618																			
Name	sing-a-long CD player																		
Buying from M&L																			
Designer	Jama																		
Date created	31.03.06																		
<table border="1"> <tr> <td>Material</td> <td>Plastic</td> </tr> <tr> <td>Material</td> <td>Plastic</td> </tr> <tr> <td>Material</td> <td>Plastic</td> </tr> <tr> <td>Material</td> <td>Plastic</td> </tr> <tr> <td>Material</td> <td>Plastic</td> </tr> <tr> <td>Material</td> <td>Plastic</td> </tr> <tr> <td>Material</td> <td>Plastic</td> </tr> <tr> <td>Material</td> <td>Plastic</td> </tr> <tr> <td>Material</td> <td>Plastic</td> </tr> </table>		Material	Plastic	Material	Plastic	Material	Plastic	Material	Plastic	Material	Plastic	Material	Plastic	Material	Plastic	Material	Plastic	Material	Plastic
Material	Plastic																		
Material	Plastic																		
Material	Plastic																		
Material	Plastic																		
Material	Plastic																		
Material	Plastic																		
Material	Plastic																		
Material	Plastic																		
Material	Plastic																		
<b>AW06</b>																			