



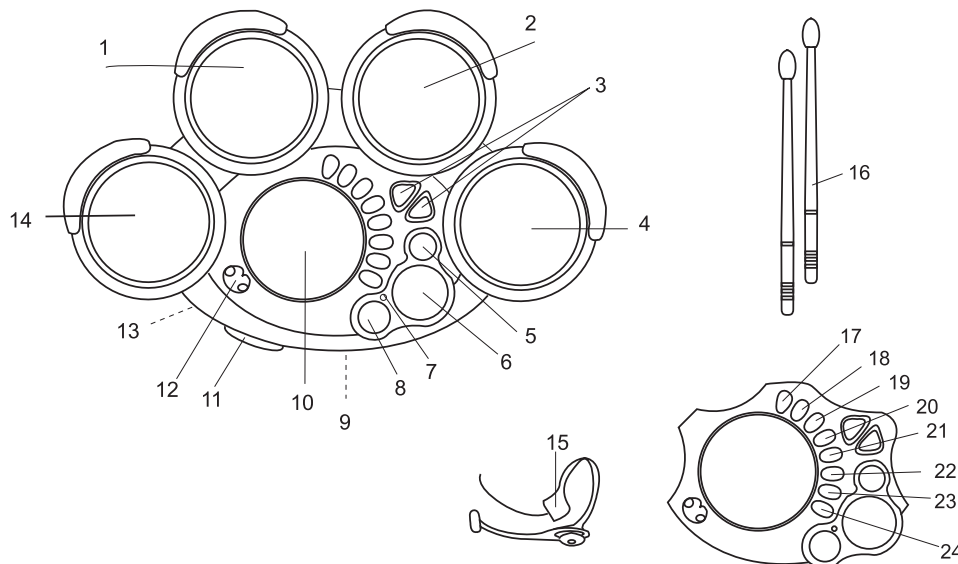
# rhythm and beats drumpad

## instructions

112983 0506  
Early Learning Centre®  
Swindon SN3 4TJ England.

**Customer Service Department**  
**01793 443322**

### features



1. High tom
2. Ride cymbal
3. Tempo Up/Down keys
4. Floor tom
5. Stop key
6. Demo key
7. Rec. "On" LED indicator
8. Rec/Play key
9. Battery compartment (Rear side)
10. Snare drum
11. Headset mic socket
12. Volume control (High/Low/Off)
13. Speaker(Rear side)
14. Crash cymbal
15. Sing-A-Long headset microphone
16. Drum sticks

#### Rhythm selector keys (x8):

17. Techno key
18. Disco key
19. Cha cha key
20. Hip hop key
21. Fusion key
22. Pop key
23. Rap key
24. Samba key

#### General operation

- Set the Volume switch to either LO or HI position to turn the unit on.
- Hit the 5 individual drum pads to play 5 different drum sounds.
- The L.E.D. lights will flash when you hit the drum pads.
- Remember to turn off the unit after playing to conserve battery life.
- If the drum is not in use for over 3 minutes, the system will turn off automatically. Press any key to restart the unit.

#### To play demo song

- Press the DEMO button to play a demo song.
- Press the STOP key to stop all music.
- Adjust the speed of the demo song by pressing either the Tempo UP or DOWN button.

#### Record

- Press the REC / PLAY key and then play a tune
- Press the REC / PLAY key again to hear your song. Your song will be played back repeatedly.
- Press the STOP key to stop recording.

#### Rhythm

- Select one of the 8 pre-programmed rhythm keys.
- You can play the drum along with the pre-programmed rhythms.
- Press the STOP key to stop all rhythms.

#### Tempo

Speed up or slow down the tempo of the songs by pressing the Tempo Up or Down key.

#### Singing along with the music

Plug the headset microphone into the unit to sing along with the music.

#### Important

- Unplug the headset microphone from the unit when not in used.
- Leaving the headset microphone plugged in (the unit) when not in use will deplete the batteries.
- Turn the power off before connecting the headset microphone to the unit.
- In case of any problem caused by electrostatic discharge, turn the unit off and restart the unit, it should be reset and return to normal operation.