



# Red Island Kitchen

instructions

118447

Early Learning Centre  
Swindon SN3 4TJ England.

Customer Service Department  
08705 352 352

## **IMPORTANT INFORMATION- PLEASE READ FIRST**

ALL OF OUR WOODEN ITEMS ARE HANDCRAFTED, HAND ASSEMBLED, AND HAND PAINTED. EACH ONE IS UNIQUE. SLIGHT IMPERFECTIONS MAY OCCUR AND ARE NOT MANUFACTURING DEFECTS.

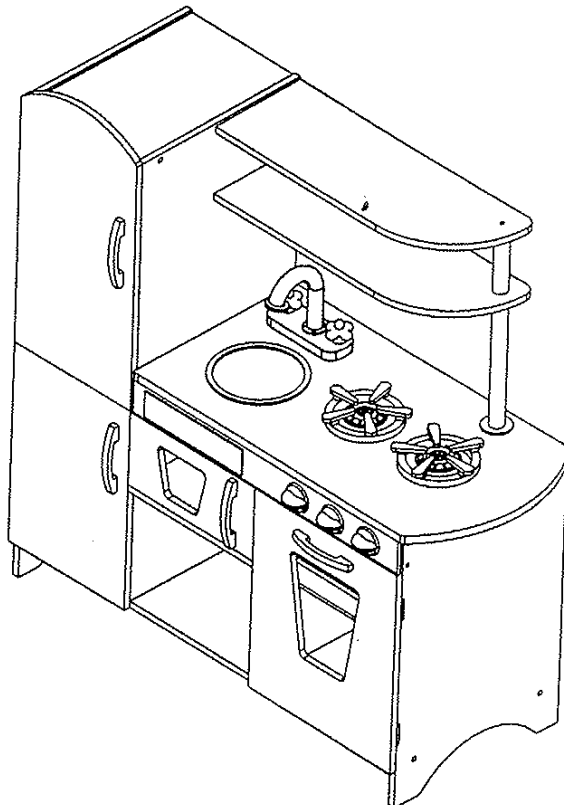
PLEASE RETAIN THIS INFORMATION FOR FUTURE REFERENCE

### **USE AND MAINTENANCE:**

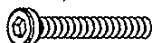

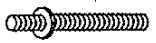

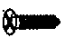


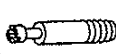





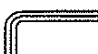
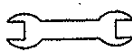
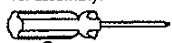
- Use on level surfaces only
- Please check assembly at regular intervals, and frequently tighten hardware if necessary. If maintenance is not carried out, the product could cease to function properly.

**!** **CAUTION:** Adult assembly required. Hardware contains small screws with sharp points. Keep unassembled parts out of the reach of small children.


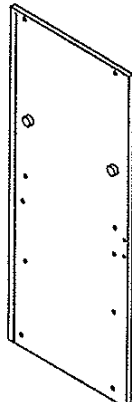
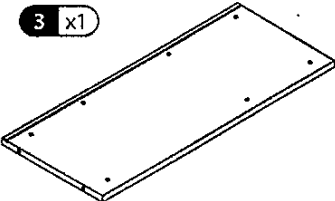
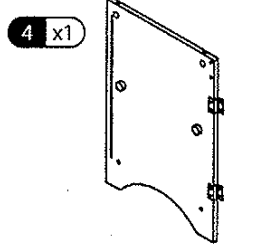
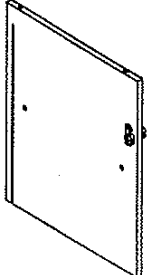
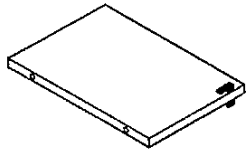
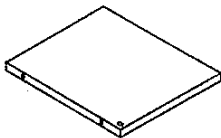
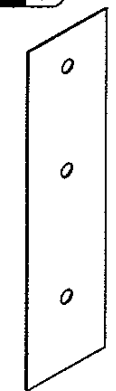
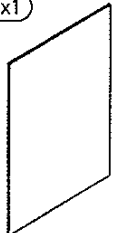
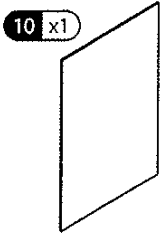
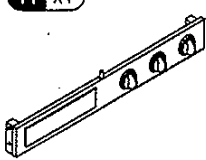
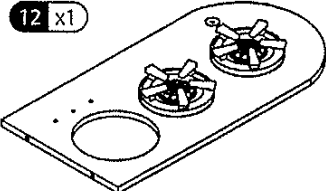


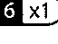

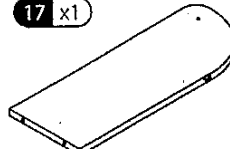
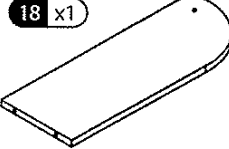
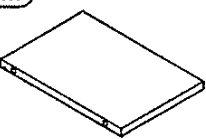


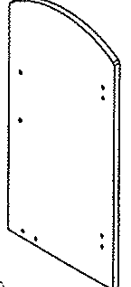
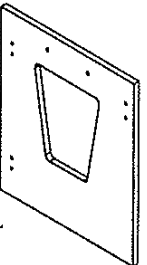
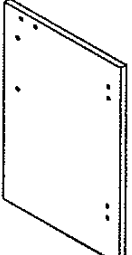
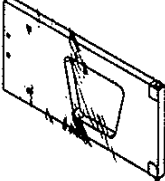
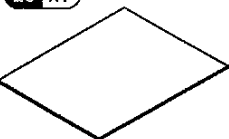




**!** **WARNING: CHOKING HAZARD**  
Unassembled parts may be a choking hazard to children 3 years and younger.



**hardware**

<b>A x24</b> Red Cross Dowel Bolt (58 mm) 	<b>B x22</b> Cross Dowel Nut 	<b>C x1</b> Threaded Dowel 	<b>D x12</b> Red Screw (25 mm) 	<b>E x12</b> Screw (12 mm) 	<b>F x2</b> Screw (18 mm) 	<b>G x8</b> Screw (10 mm) 		
<b>H x8</b> Cam Lock 	<b>I x8</b> Twist Nut 	<b>J x1</b> Nylon Lock Nut 	<b>K x1</b> Large Washer 	<b>L x2</b> Small Washer 	<b>M x4</b> Latch 	<b>x1</b> Allen Key 	<b>x1</b> Wrench 	The following tool (not included) is required for assembly:  Phillips Screwdriver

**contents**

<b>1 x1</b> 	<b>2 x1</b> 	<b>3 x1</b> 	<b>4 x1</b> 	<b>5 x1</b> 
<b>6 x1</b> 	<b>7 x1</b> 	<b>8 x1</b> 	<b>9 x1</b> 	<b>10 x1</b> 
<b>11 x1</b> 	<b>12 x1</b> 	<b>13 x1</b> 	<b>15 x1</b> 	<b>16 x1</b> 
<b>14 x1</b> 	<b>17 x1</b> 	<b>18 x1</b> 	<b>19 x1</b> 	<b>20 x1</b> 
<b>21 x1</b> 	<b>22 x1</b> 	<b>23 x1</b> 	<b>24 x1</b> 	<b>25 x1</b> 
<b>26 x1</b> 	<b>27 x1</b> 	<b>28 x1</b> 	<b>29 x4</b> 	<b>31 x2</b> 



# Red Island Kitchen

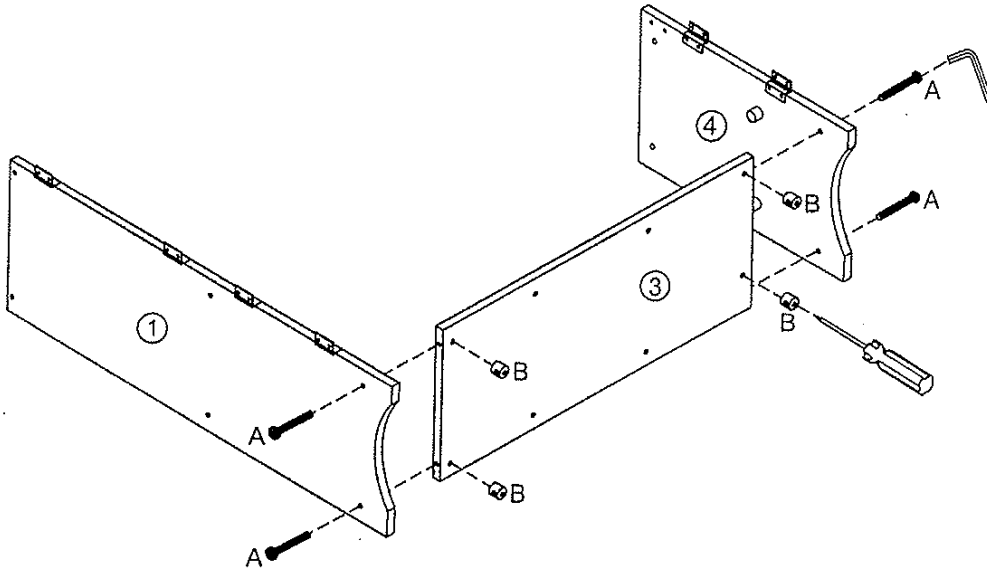
instructions

118447  
Early Learning Centre  
Swindon SN3 4TJ England.

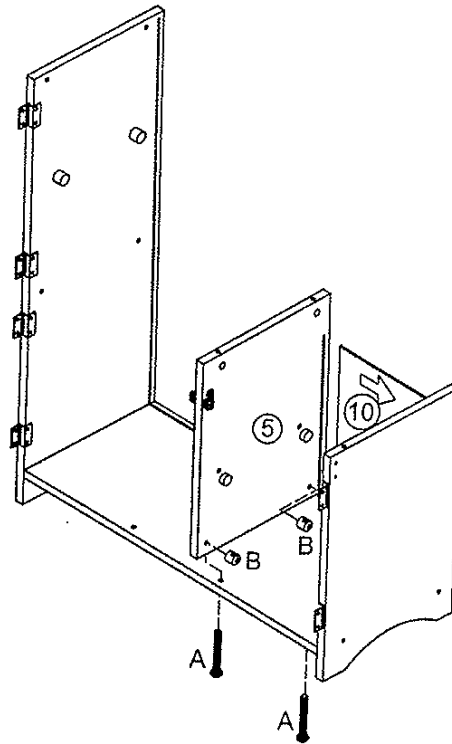
Customer Service Department  
08705 352 352

## assembly

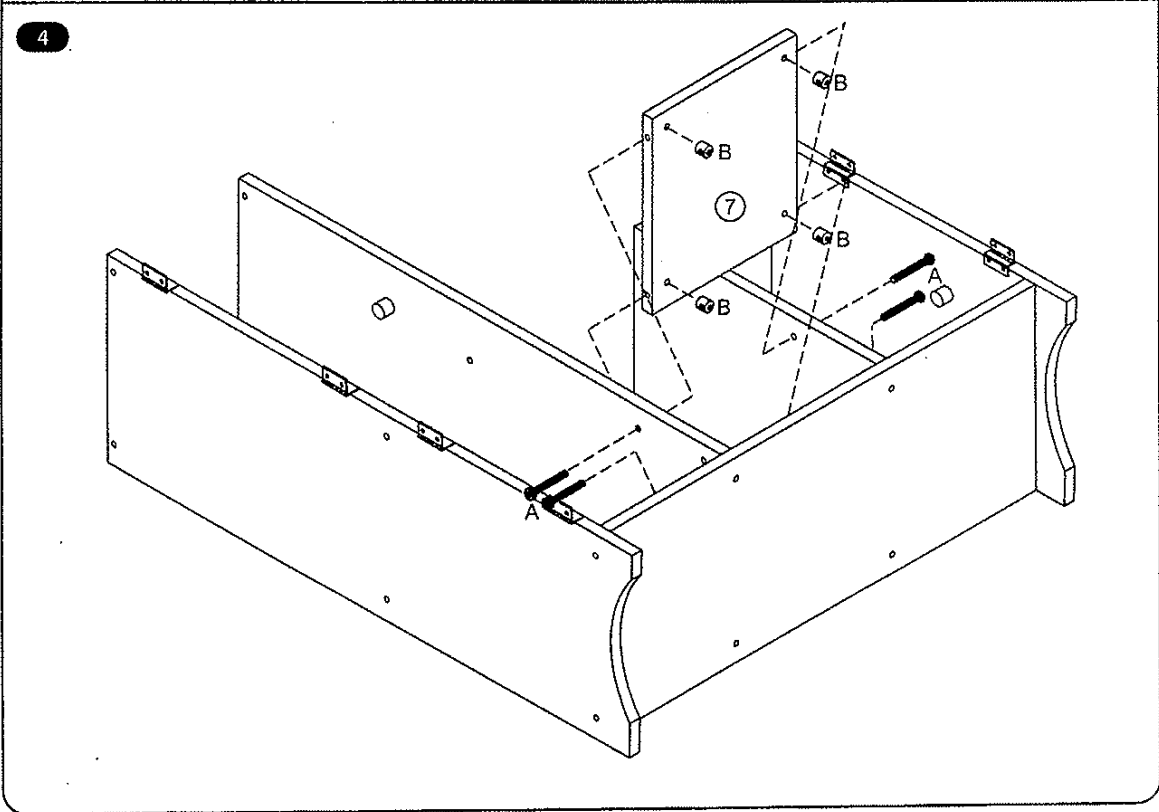
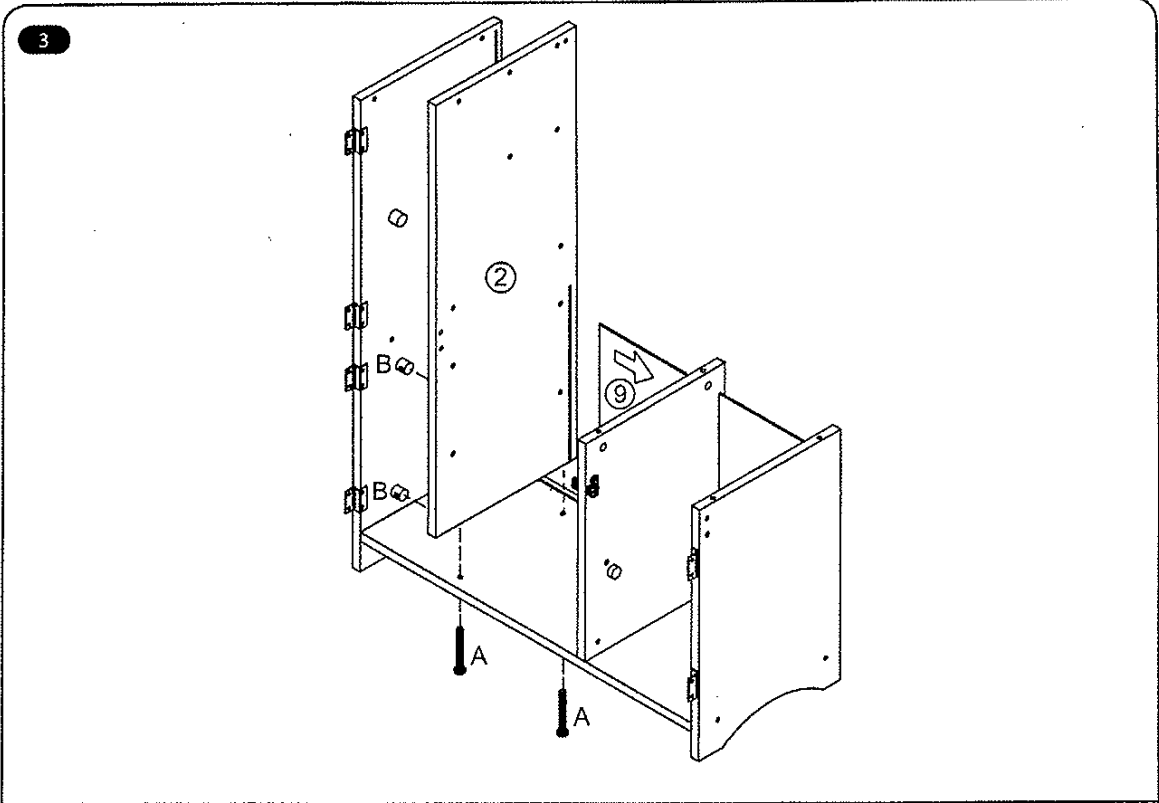
1



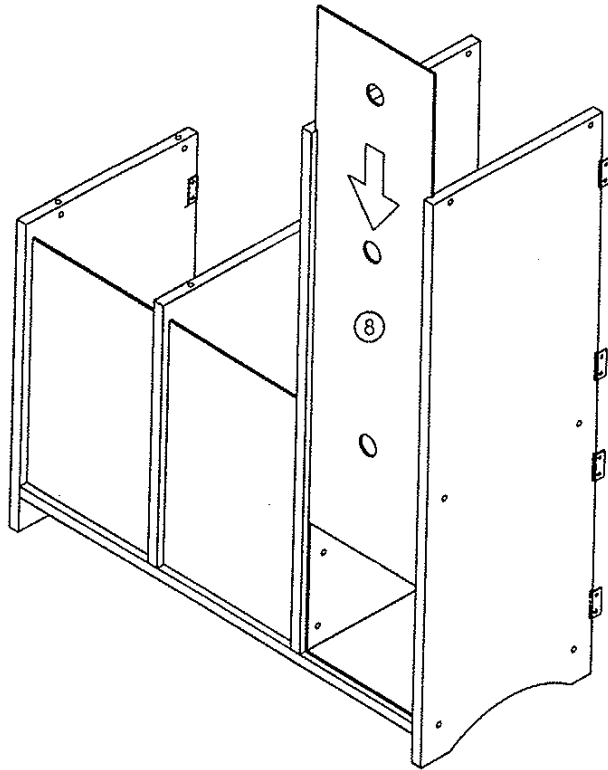
2



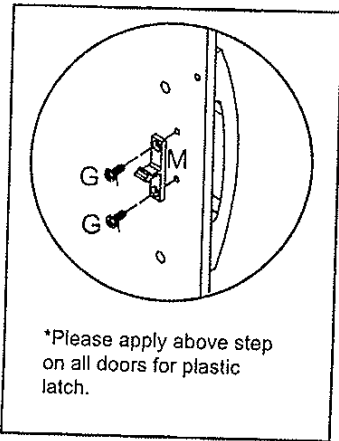
assembly



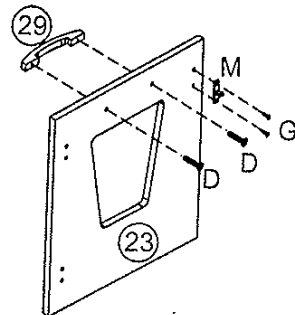
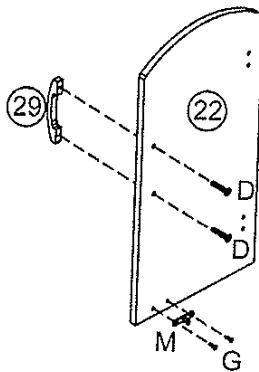
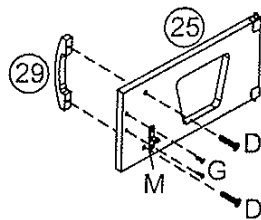
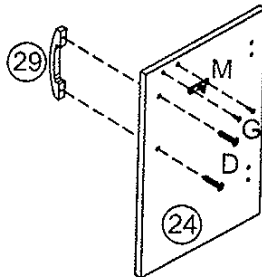
5



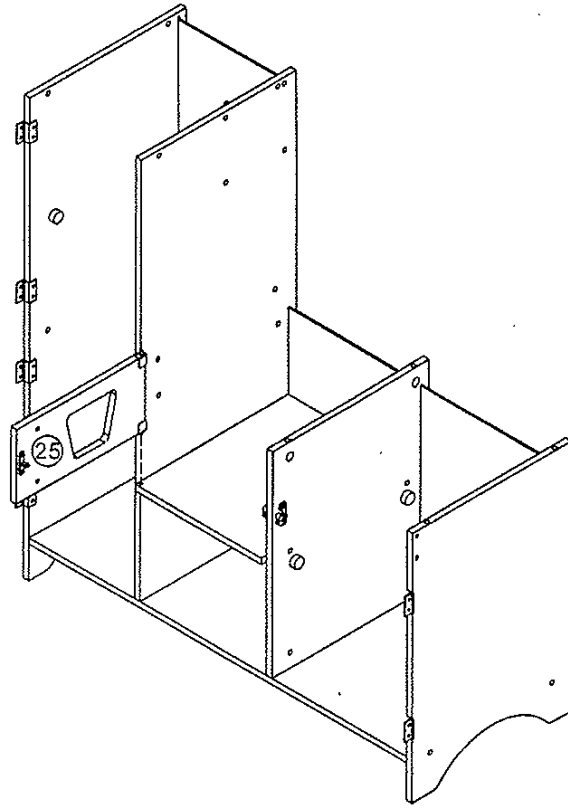
6



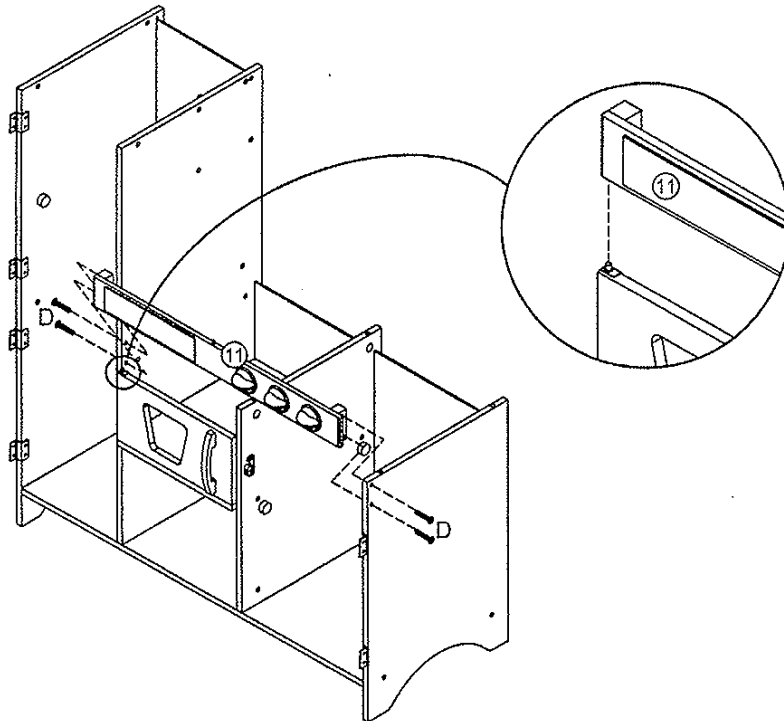
\*Please apply above step on all doors for plastic latch.



7

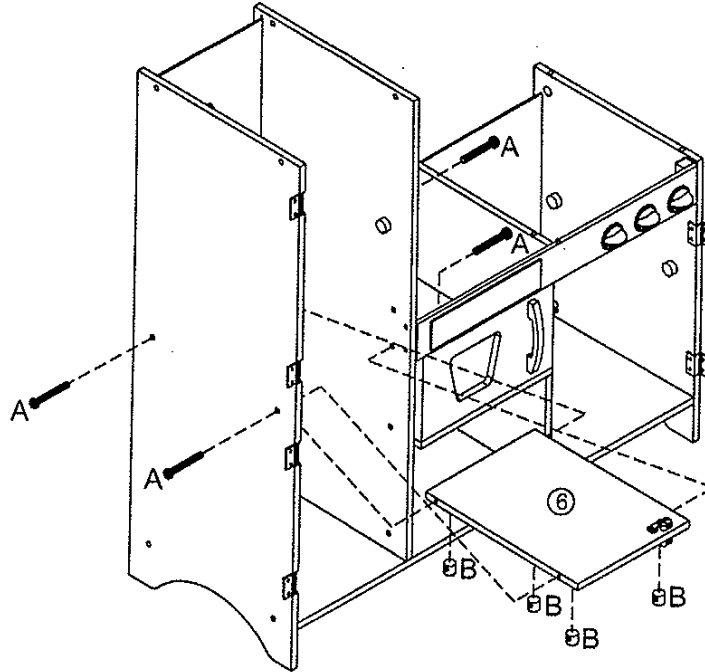


8

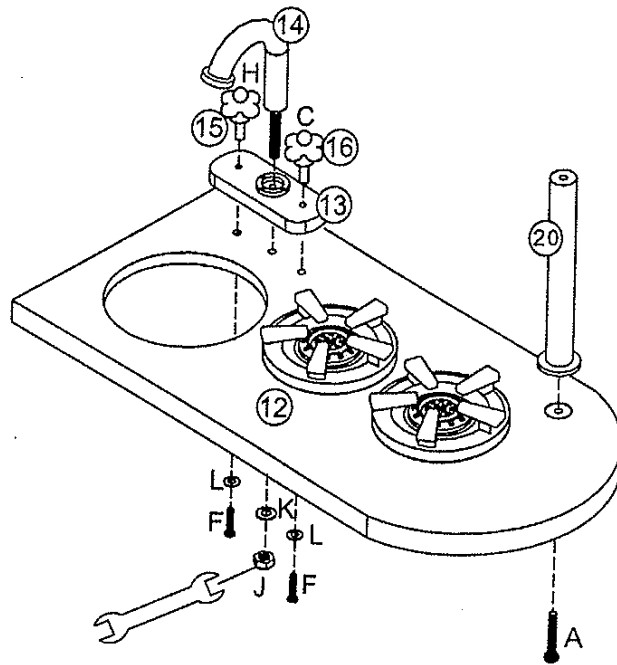


9

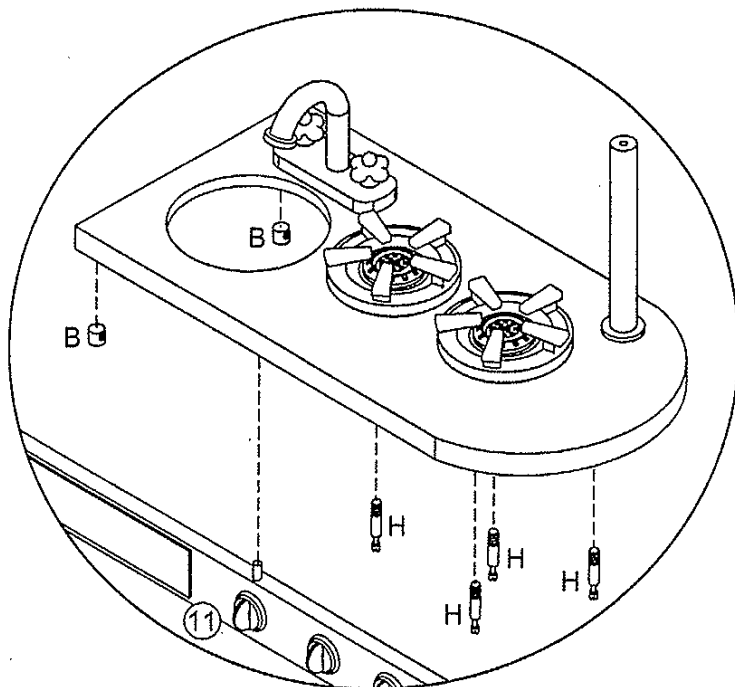
\*It may help to lay the kitchen down for steps 9-19.



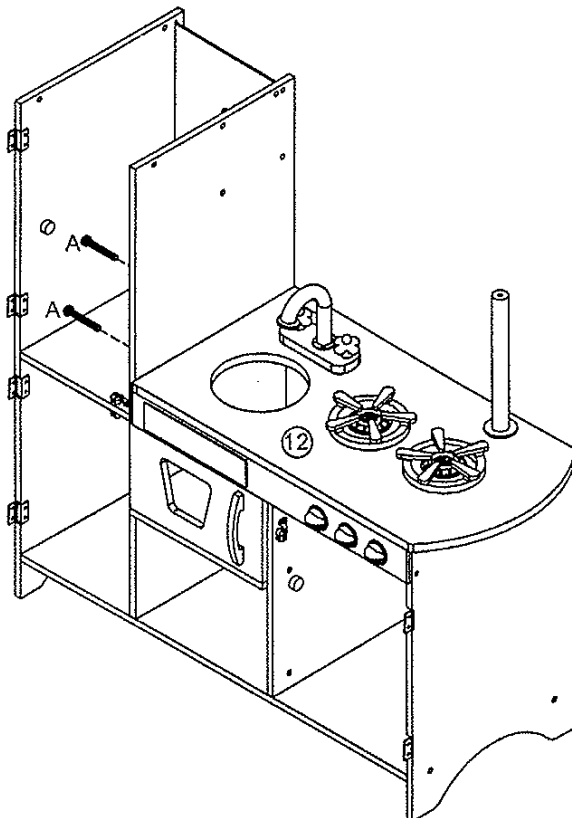
10



11

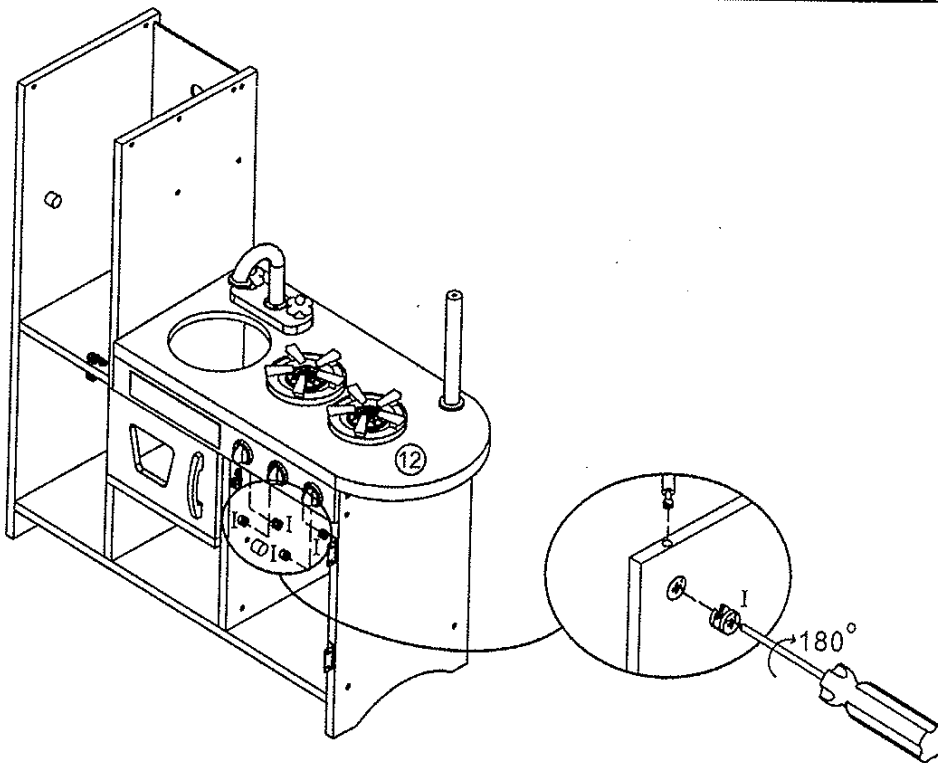


12

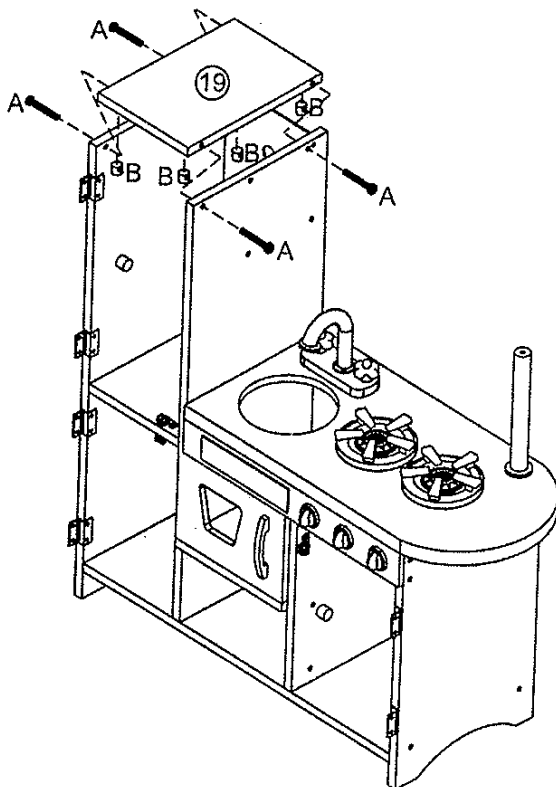




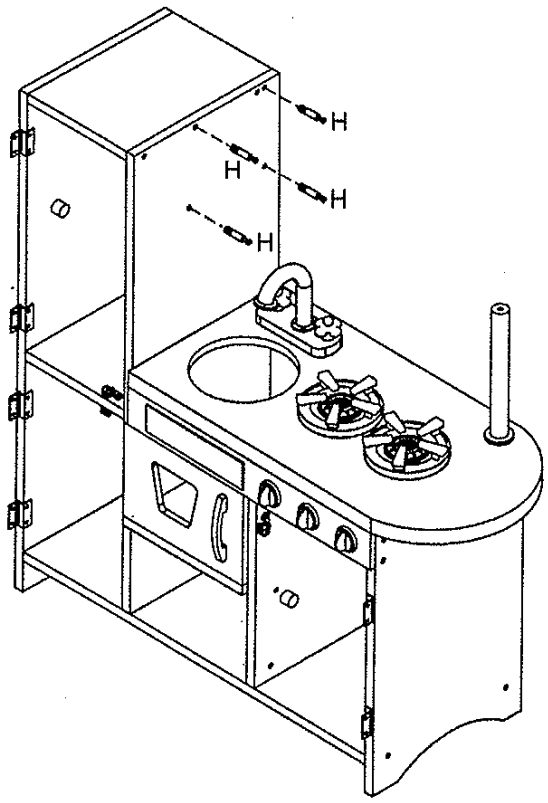
13



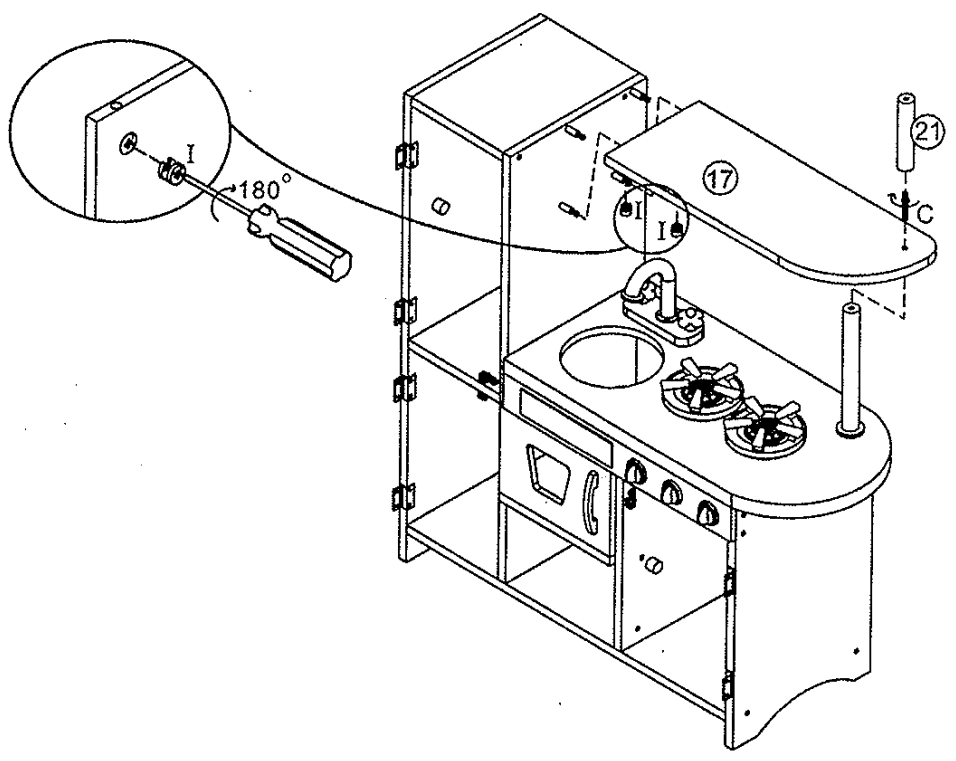
14



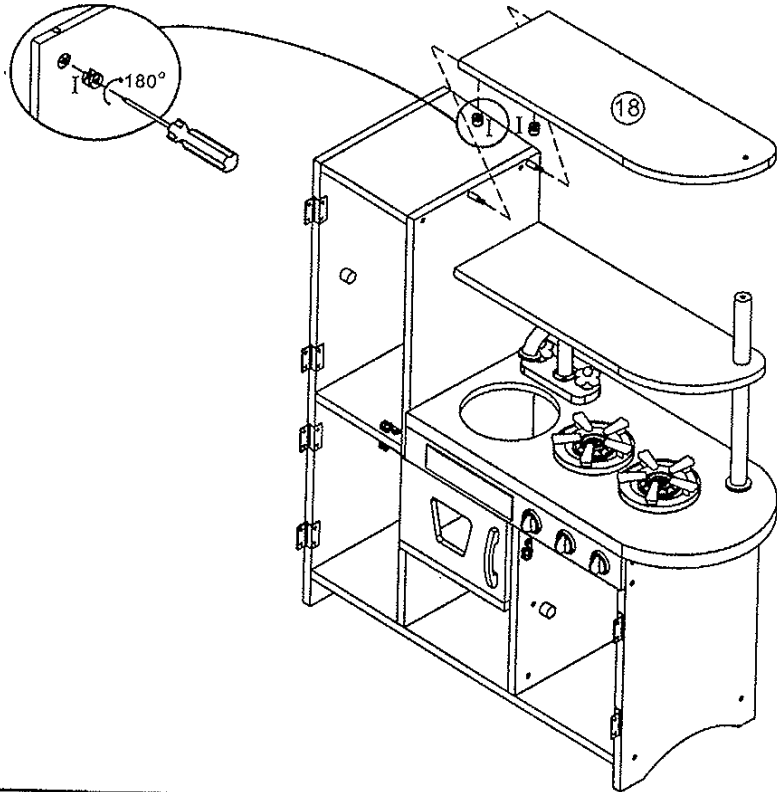
15



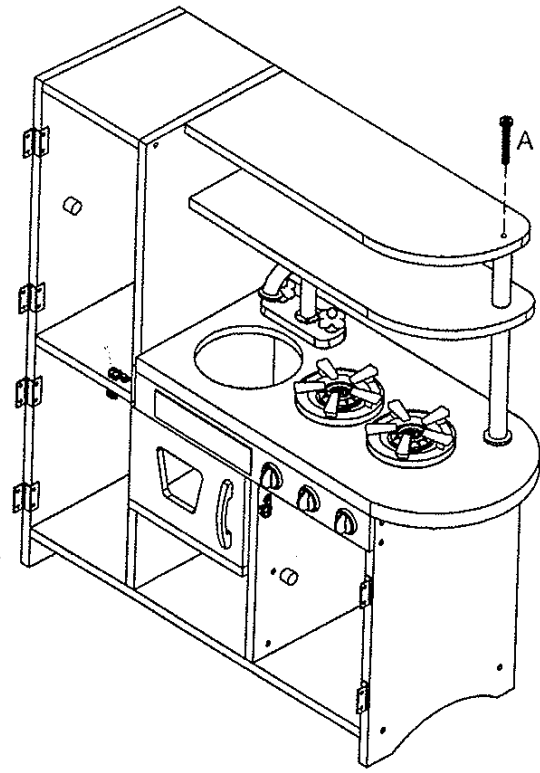
16



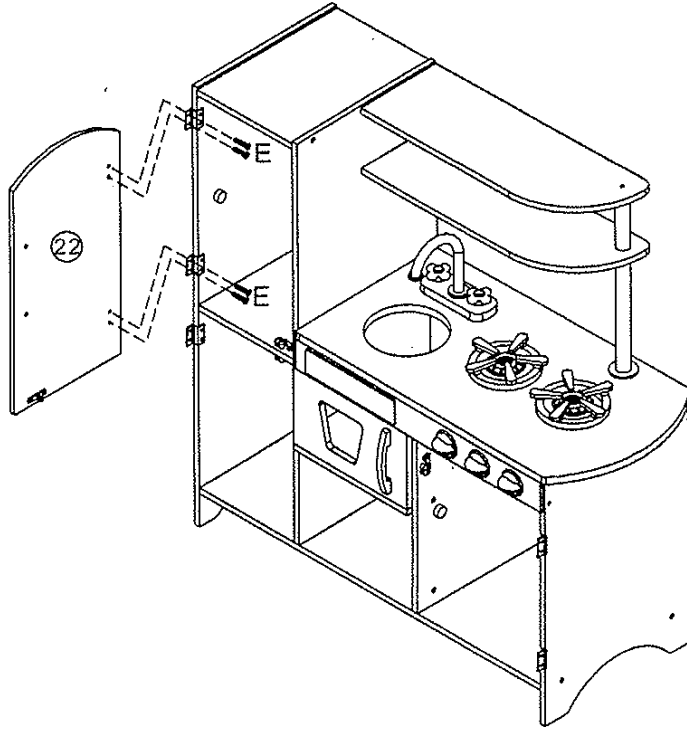
17



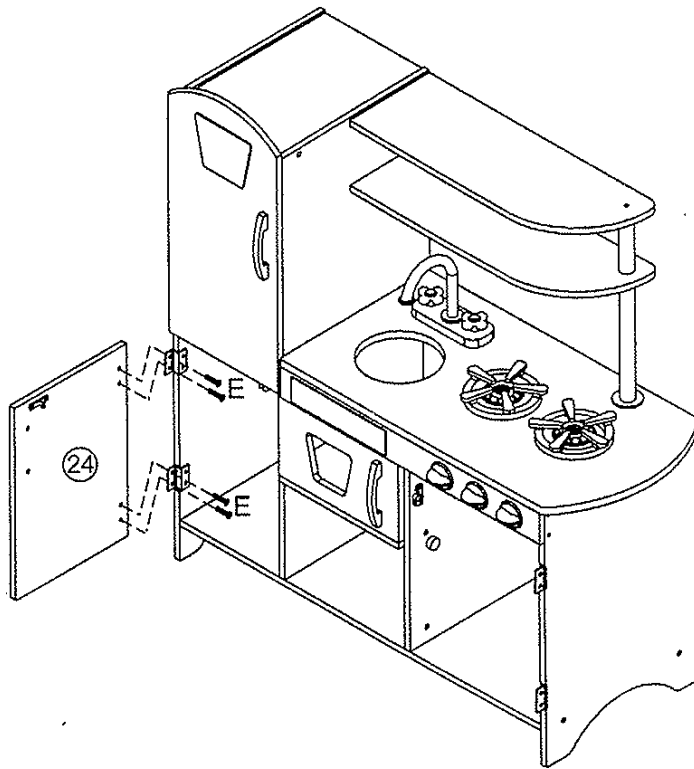
18



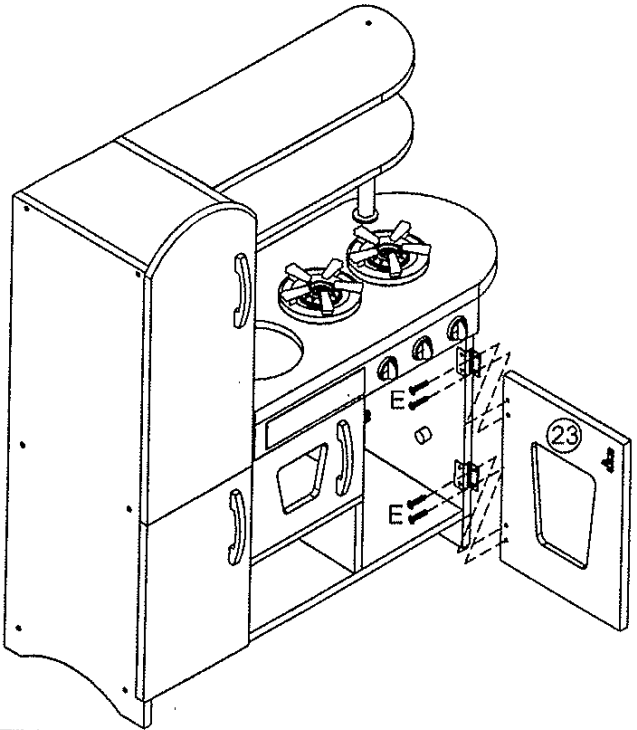
19



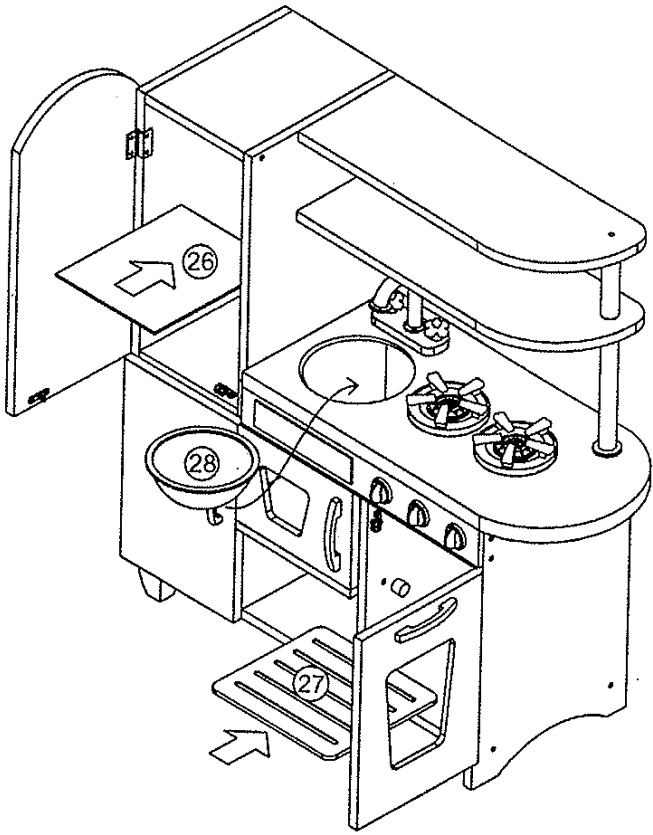
20



21

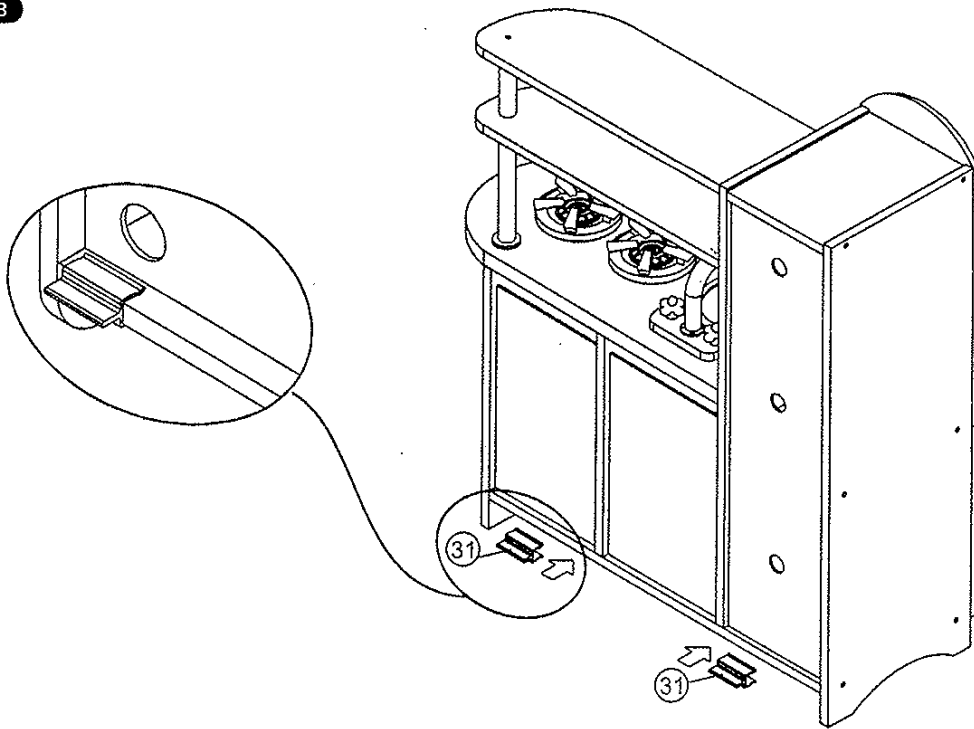


22

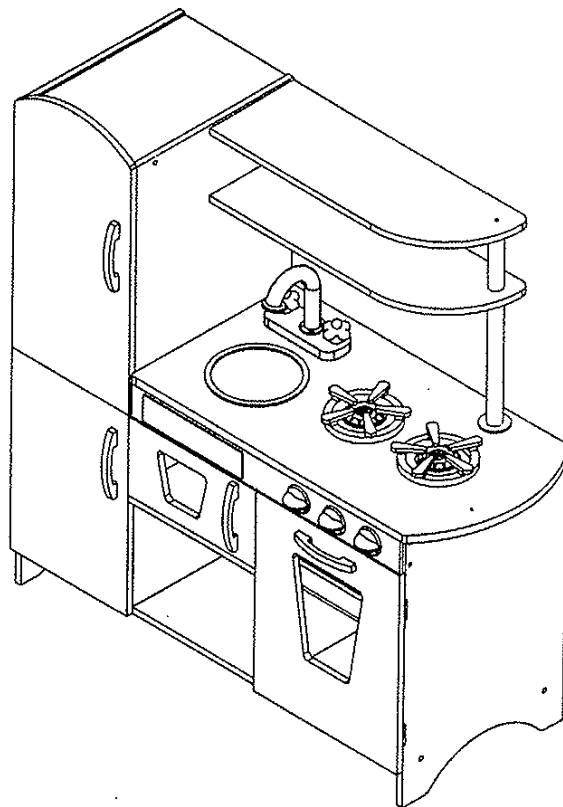


assembly

23



Complete



Imported by: Early Learning Centre  
Swindon  
SN3 4TJ  
England



Please retain this information for future reference.

**Warning: This is intended for children of a specific age or above. Keep children younger than the specified age from using this item. Do not let children of any age climb on or around this item. Adult supervision is always recommended.**

## **IMPORTANT INFORMATION - PLEASE READ FIRST**

ALL OF OUR WOODEN ITEMS ARE HANDCRAFTED, HAND ASSEMBLED, AND HAND PAINTED. EACH ONE IS UNIQUE. SLIGHT IMPERFECTIONS MAY OCCUR AND ARE NOT MANUFACTURING DEFECTS.

PLEASE NOTE THAT WE DO NOT WARRANTY AGAINST THE USE OF PERMANENT MARKERS, NON-WATER-BASED PAINTS, CRAYONS, OR WASHABLE MARKERS. SOME OF THESE ITEMS CONTAIN PERMANENT COLOR DYES THAT COULD DAMAGE THE SURFACE.

## **CLEANING INSTRUCTIONS**

CLEAN THE SURFACE USING A SLIGHTLY DAMP CLOTH AND MILD DISH WASHING LIQUID IF NECESSARY. DO NOT USE ANY CLEANING PRODUCT CONTAINING ALCOHOL OR AMMONIA. THESE WILL DULL THE SHINY SURFACE OF THE PRODUCT. FURNITURE POLISH WILL ALSO WORK TO CLEAN AND DUST OFF THE SURFACE.

WE RECOMMEND THAT YOU TEST ALL CLEANING MATERIALS ON THE UNDERSIDE OF ANY SURFACE THAT WOULD NOT BE SEEN DURING NORMAL USE OF THE PRODUCT. IF YOU HAVE QUESTIONS REGARDING THE MAINTENANCE OF THIS PRODUCT PLEASE FEEL FREE TO CALL US.

## **SOLE AND LIMITED WARRANTY**

THIS TOY IS WARRANTED SOLELY AGAINST MANUFACTURING DEFECTS FOR A PERIOD OF 90 DAYS FROM THE DATE OF PURCHASE, WHICH WARRANTY RUNS ONLY TO THE ORIGINAL USER OF THE TOY. IN THE EVENT OF A MANUFACTURING DEFECT, THE TOY WILL BE REPLACED OR THE PURCHASE PRICE REFUNDED, AT THE ELECTION OF THE MANUFACTURER. TO ACTIVATE AND PROTECT THIS WARRANTY, PRESERVE EVIDENCE OF ORIGINAL PURCHASE AND CAREFULLY INSPECT THE CONDITION OF THE TOY PRIOR TO AND AFTER ASSEMBLY, LOOKING FOR MISSING, DEGRADED, BROKEN OR HAZARDOUS PARTS, INCLUDING PARTS WHICH CAN BE SWALLOWED BY A CHILD, CAUSE A CHILD TO CHOKE, OR OTHERWISE CAUSE INJURY. SUCH PARTS MAY INCLUDE MAGNETS, WHEELS, HUBS, FASTENERS, AND CONNECTORS. SHOULD YOU OBSERVE ANY DEFECTS, DO NOT USE THE TOY AND IMMEDIATELY NOTIFY THE MANUFACTURER. FAILURE TO DO SO SHALL CONSTITUTE MISUSE. MISUSE, IMPROPER ASSEMBLY, FAILURE TO HONOR A WARNING, FAILURE TO SUPERVISE, INSPECT OR MAINTAIN THE TOY, OR DAMAGE TO THE TOY, WHETHER INTENTIONAL OR INADVERTENT, SHALL INVALIDATE THIS WARRANTY.

TO SUBMIT A WARRANTY CLAIM PLEASE CONTACT CUSTOMER SERVICE FOR INSTRUCTIONS ON HOW TO PROVIDE PROOF OF PURCHASE AND HOW TO RETURN THE ITEM FREIGHT PRE-PAID.