



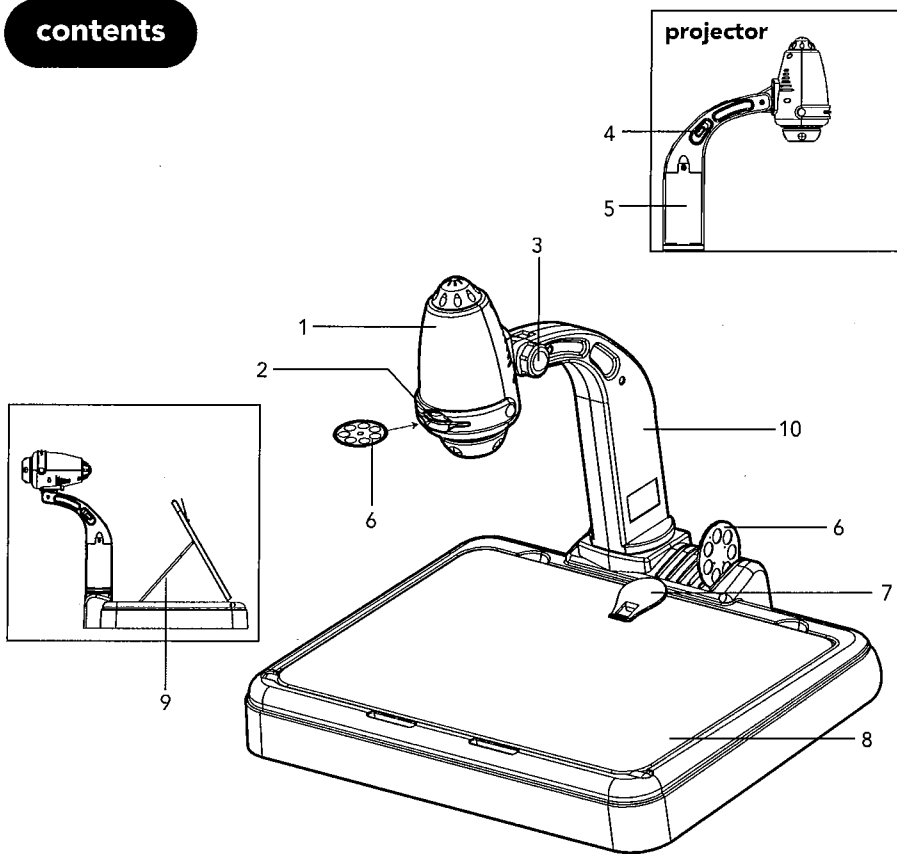
# projector

instructions

113512 0206  
Early Learning Centre®  
Swindon SN3 4TJ England.

**Customer Service Department**  
**01793 443322**

## contents



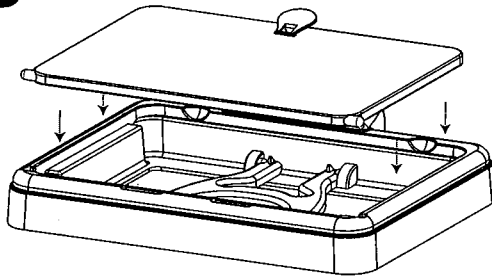
- 1. Projector
- 2. Film cabinet
- 3. Screw knob
- 4. Power On/Off switch
- 5. Battery compartment

- 6. Films (x6)
- 7. Clip
- 8. White board
- 9. Support stand
- 10. Projector stand

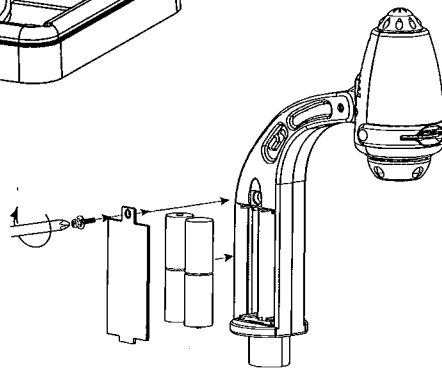
- other contents:**
- 1 x eraser
  - 3 x colour pens
  - 10 x A4 paper

**assembly**

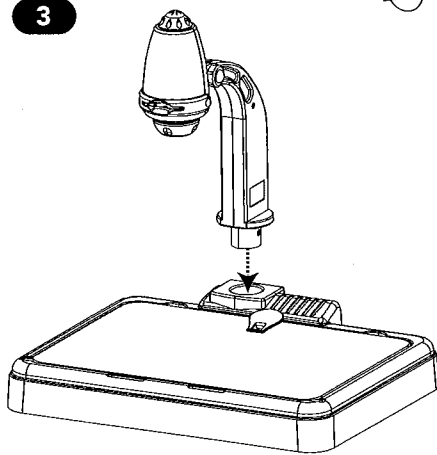
**1**



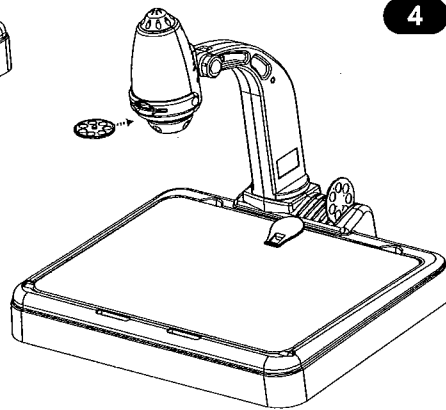
**2**



**3**



**4**



**This toy must be assembled by an adult.**

## how to play

### 1. Project to draw

- Push the power On/Off switch to "On" position.
- Insert one film into the cabinet of the projector, then turn the film to select your desired image.
- Adjust the focus to produce an image to appear on the drawing board clearly.
- Rotate the projector stand to adjust the position for drawing (figure 1).
- You can draw directly on the white board or on a sheet of paper.

### 2. Draw on the board

Turn the power On/Off switch to "Off" position.

Uphold the white board by the support stand.

You can draw on the white board or on a sheet of paper held up by the clip (figure 3).

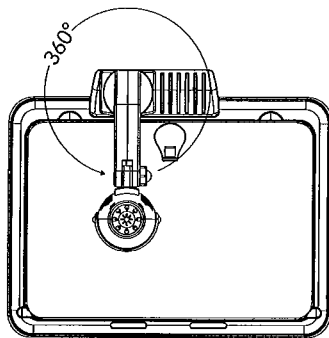


figure 1

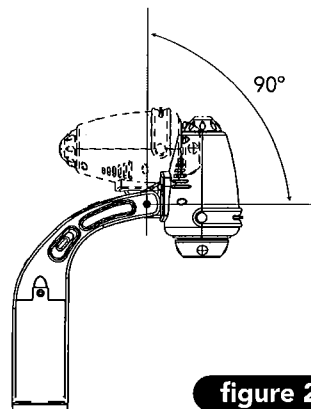


figure 2

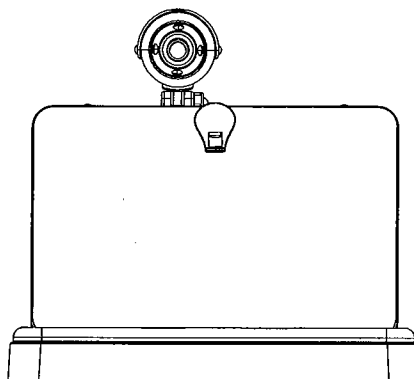


figure 3

## important

### BULB REPLACEMENT

Light bulb: 6V 400 mA, max 2.4W.

Light Bulb should only be changed by an adult!

### CAUTION: LIGHTED LAMP IS HOT!

1. Switch off and cool down the bulb before replacing.
2. Screw off the cover of the projector.
3. Slide the lamp tube out.
4. Remove the existing bulb from the lamp tube.
5. Screw on a new bulb in the lamp tube tightly.
6. Slide the lamp tube back to position properly.
7. Fasten the cover of the projector.

