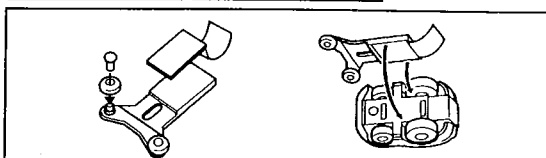
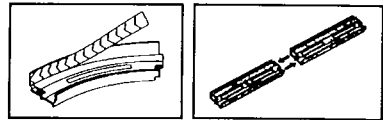
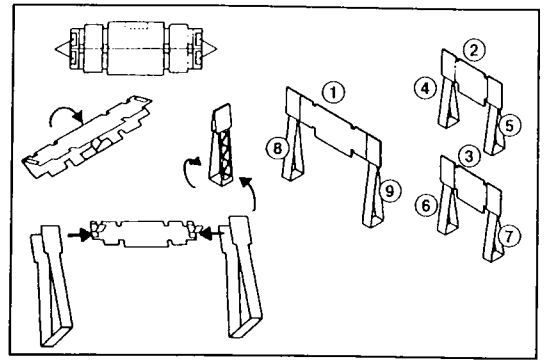
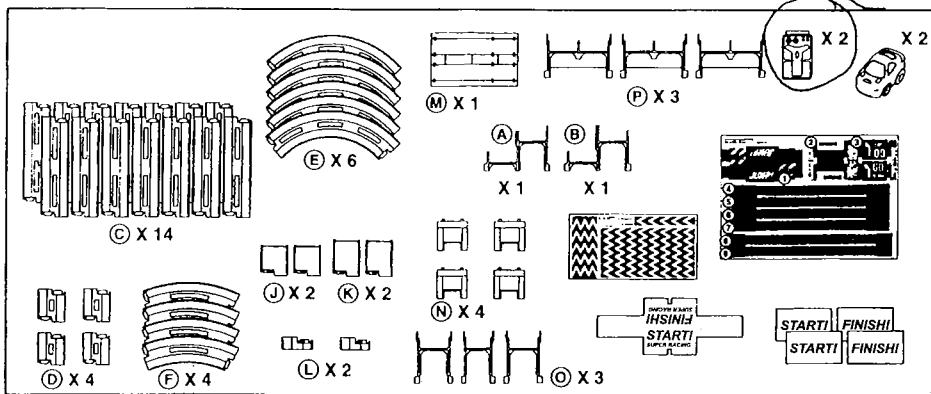


# SUPER JUMP CIRCUIT

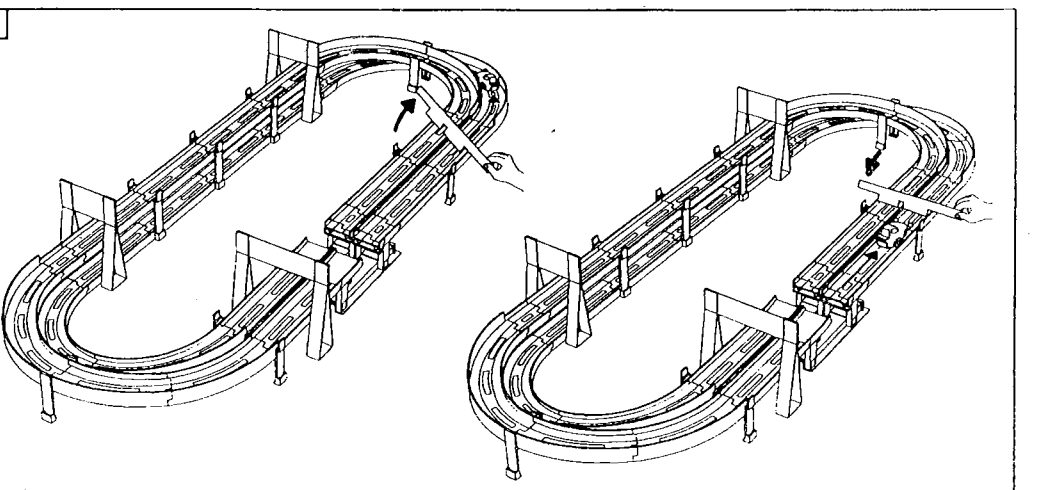
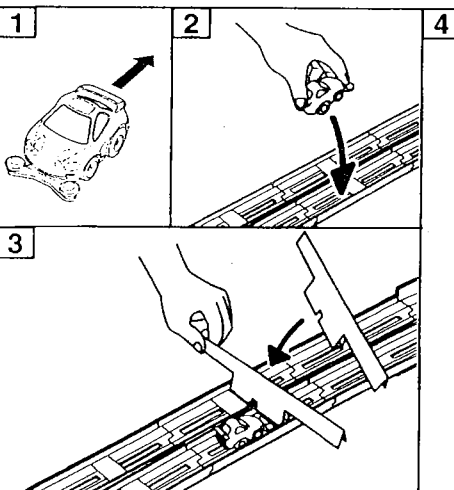
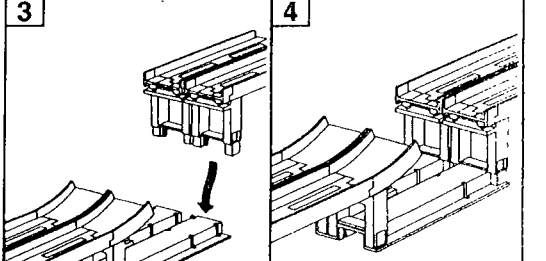
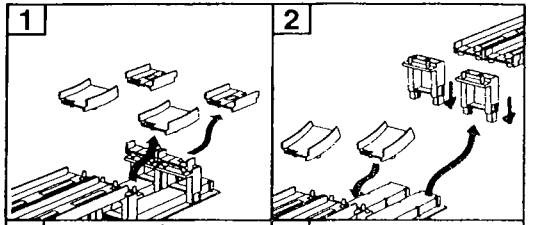
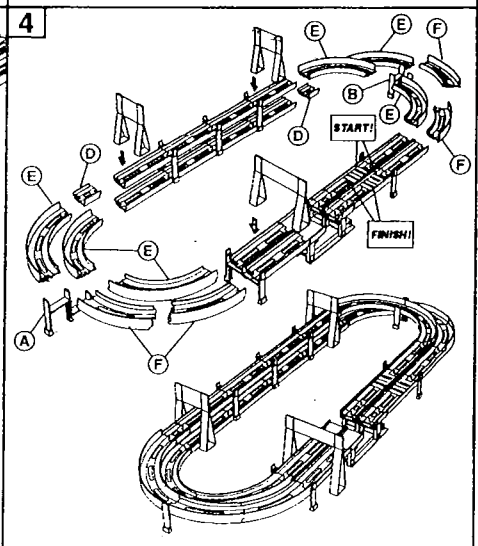
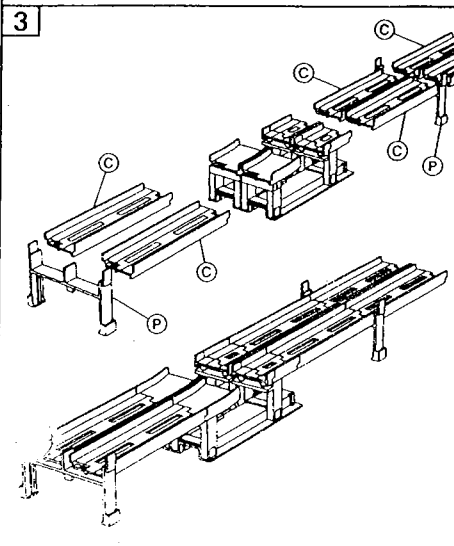
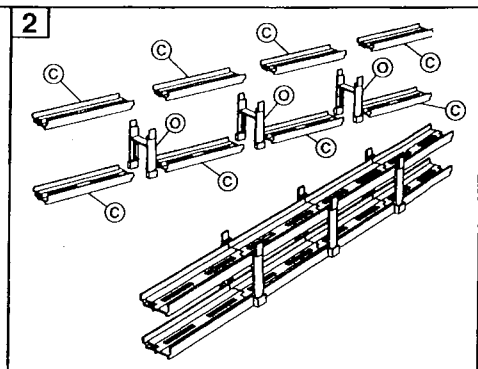
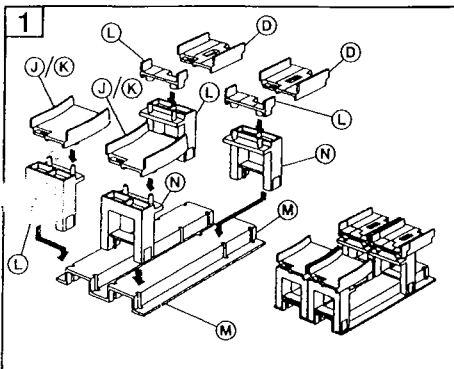
**⚠ WARNING**  
 CHOKING HAZARD – small parts  
 Not suitable for children under 3 years



**To affix black runner to base of Penny Racer**

1. Locate sheet of double-sided adhesive pads.
2. Peel one of pads from sheet and press firmly onto flat panel of black runner.
3. Carefully peel shiny paper from pad applied to runner, ensuring self-adhesive section remains affixed to runner.
4. Press black runner firmly against base of Penny Racer.

Tip...to increase adhesion between Penny Racer and runner, follow above steps but also apply a self-adhesive pad to base of Penny Racer.



SKU: 100508  
 Early Learning Centre® Swindon SN3 4TJ England.  
 Customer Service Department 01793 443322

