



Pastel Island Kitchen

assembly instructions

118450

Early Learning Centre
Swindon SN3 4TJ England.

Customer Service Department
08705 352 352

IMPORTANT INFORMATION- PLEASE READ FIRST


ALL OF OUR WOODEN ITEMS ARE HANDCRAFTED, HAND ASSEMBLED, AND HAND PAINTED. EACH ONE IS UNIQUE. SLIGHT IMPERFECTIONS MAY OCCUR AND ARE NOT MANUFACTURING DEFECTS.

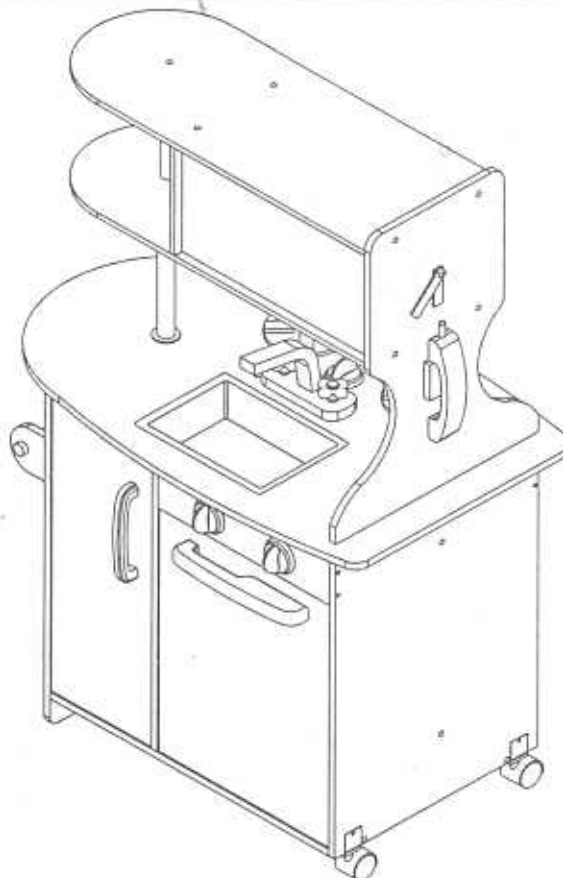
USE AND MAINTENANCE:

-Use on level surfaces only

-Please check assembly at regular intervals, and frequently tighten hardware if necessary. If maintenance is not carried out, the product could cease to function properly.

 **CAUTION:** Adult assembly required. Hardware contains small screws with sharp points. Keep unassembled parts out of the reach of small children.

 **WARNING:** CHOKING HAZARD
Small parts and sharp points, not suitable for children under 3 years.





Pastel Island Kitchen

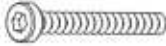
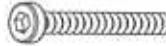
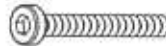





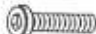

















assembly instructions

118450

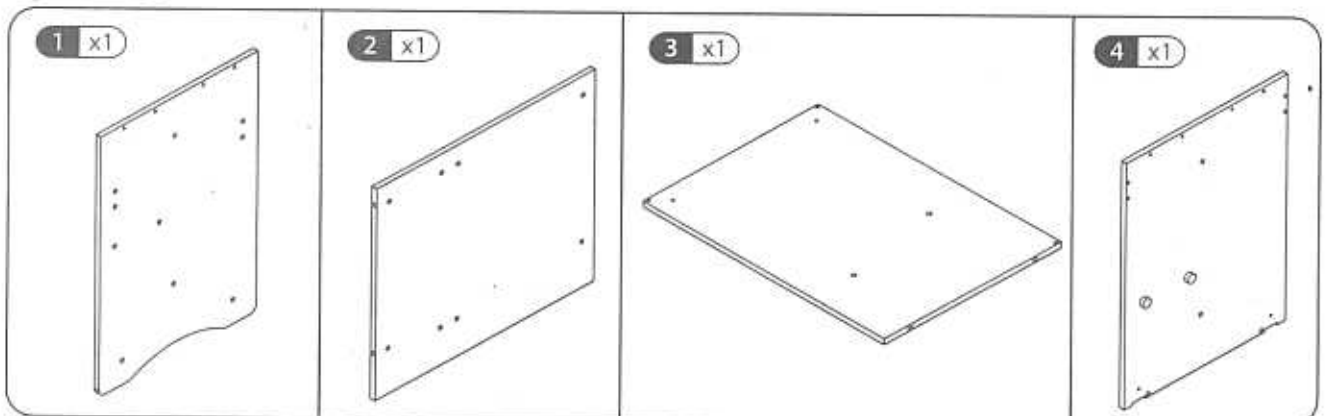
Early Learning Centre
Swindon SN3 4TJ England

Customer Service Department
08705 352 352

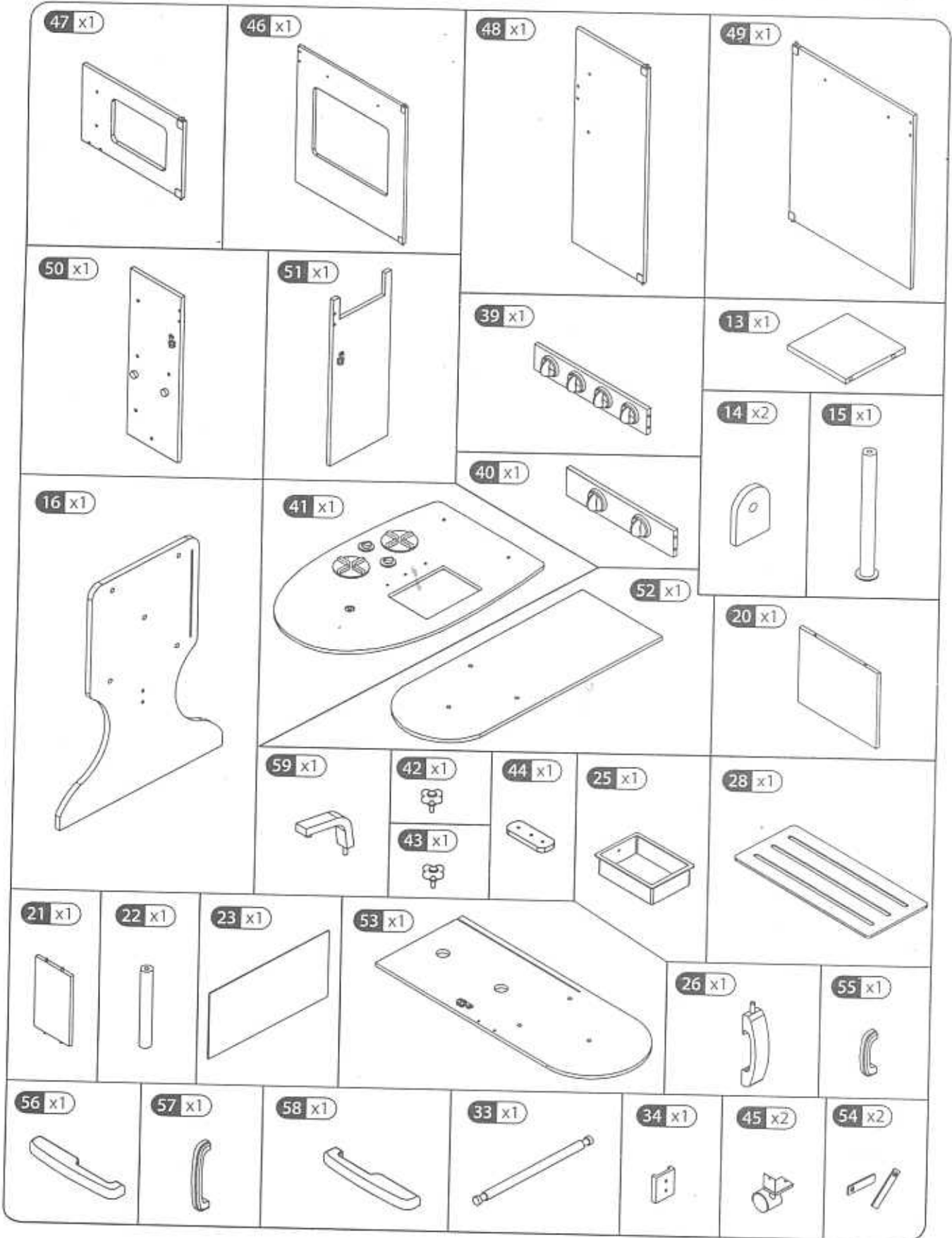
hardware

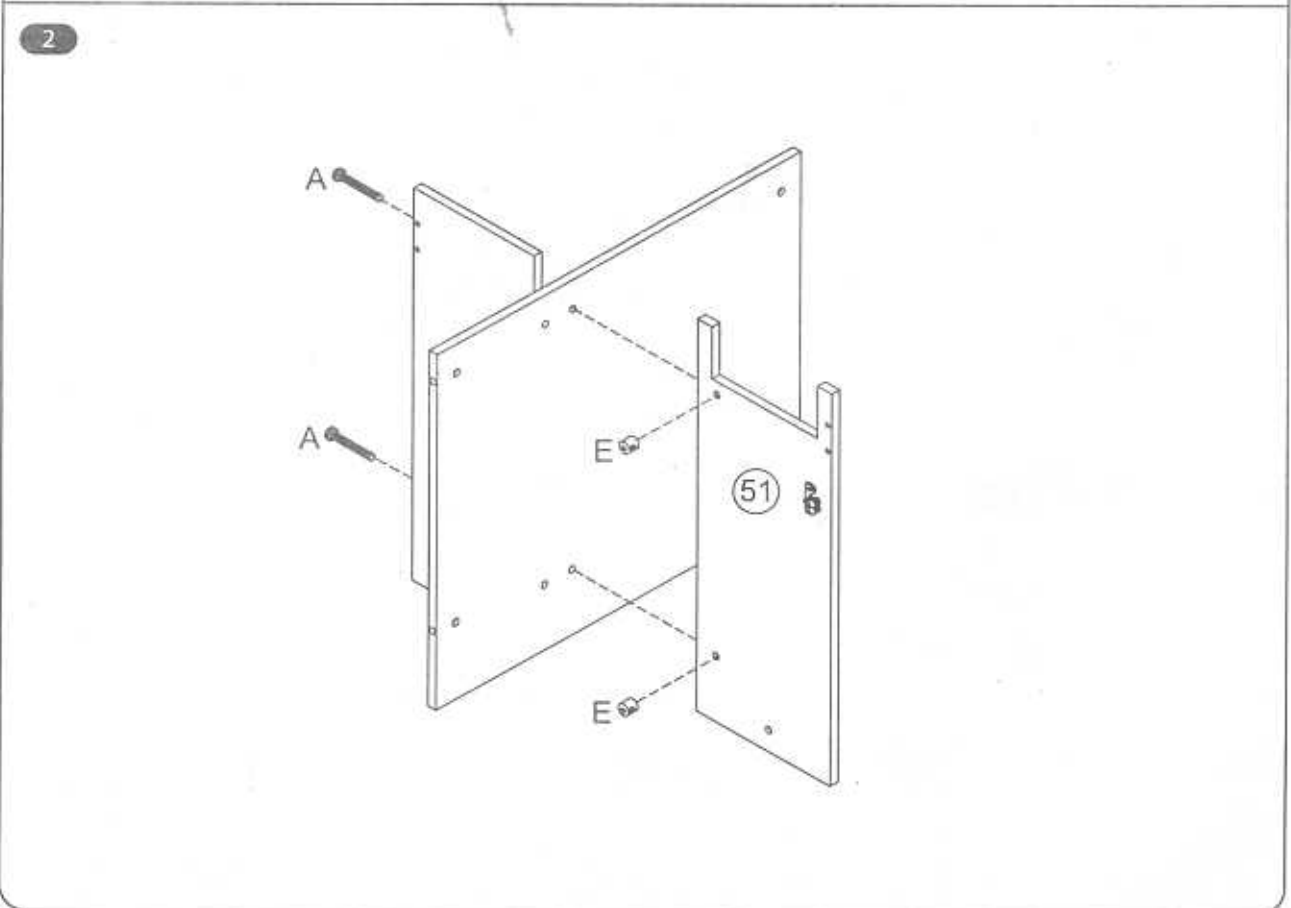
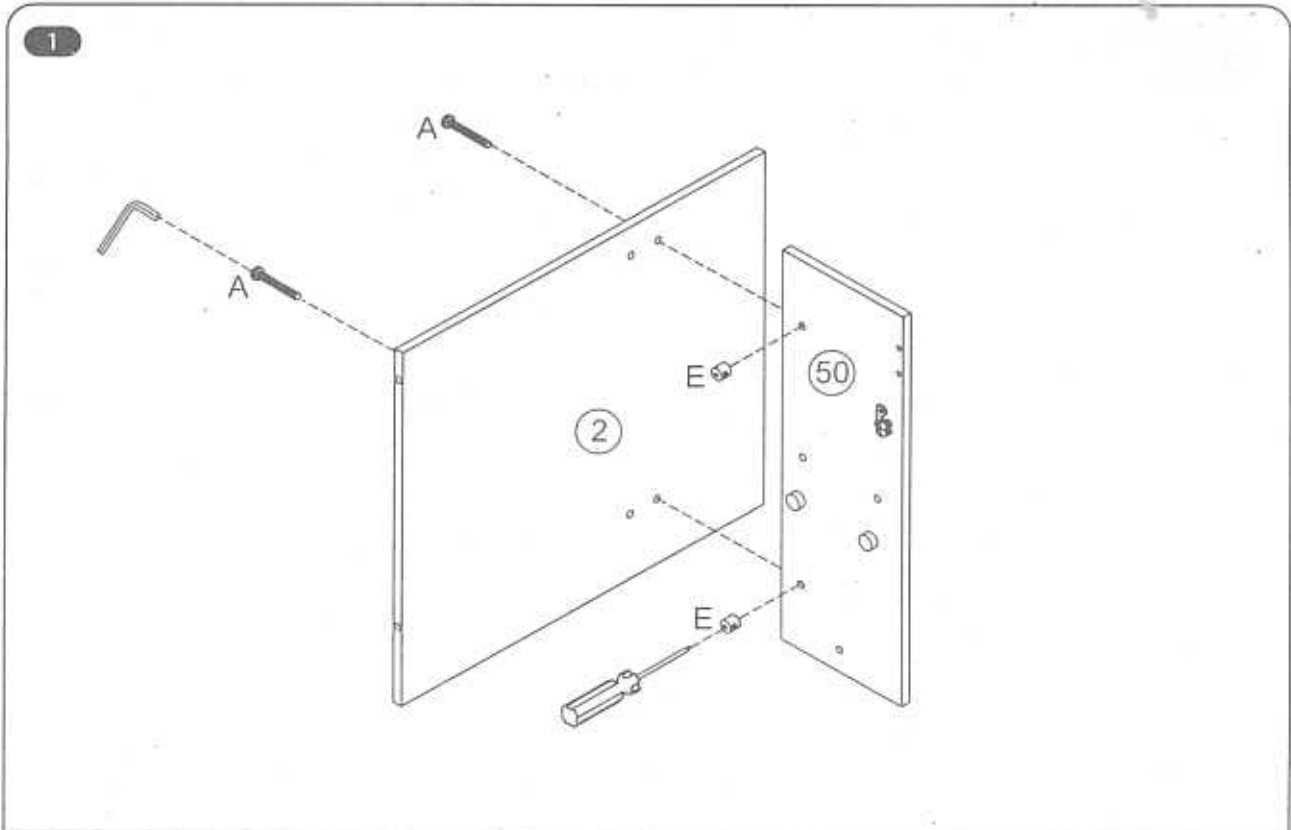
A x18 Pink Cross Dowel Bolt (53 mm, 6mm) 	B x2 Cross Dowel Bolt (53 mm, 6mm) 	C x8 Pink Cross Dowel Bolt (53 mm, 4mm) 	D x4 Cross Dowel Bolt (53 mm, 4mm) 	E x18 Cross Dowel Nut 	
F x12 Cross Dowel Nut 	G x2 Hex Bolt (50 mm) 	H x1 Bolt (50 mm) 	I x1 Cross Dowel Bolt (30 mm) 	J x8 Screw (25 mm) 	K x16 Pink Screw (25 mm) 
L x3 Screw (14.5 mm) 	M x2 Flat Bolt (27 mm) 	N x2 Pink Flat Bolt (19 mm) 	O x8 Screw (8 mm) 	P x4 Pink Cap Nut 	Q x1 Nylon Nut 
R x3 Washer 	S x1 Large Washer 	T x3 Small Washer 	U x4 Latch 	V x2 Pink Flat Bolt (25 mm) 	W x2 Nylon Nut 
x1 Allen Wrench 	x2 Wrench 	x1 The following tool (not included) is required for assembly  Phillips® Screwdriver			

contents



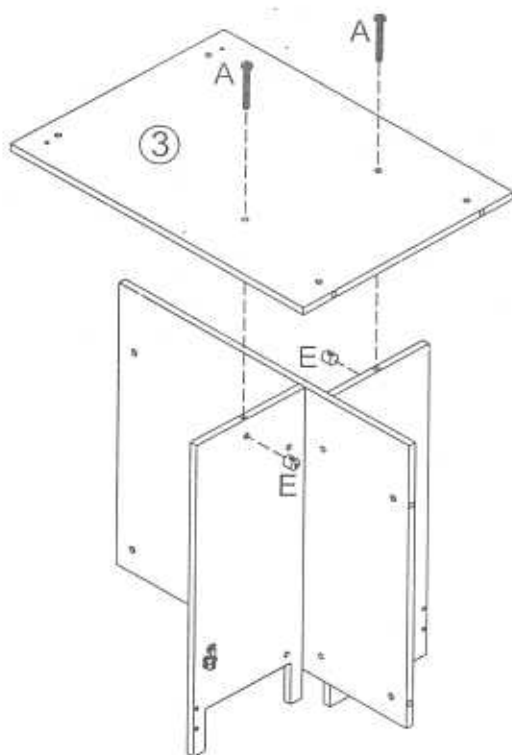
contents



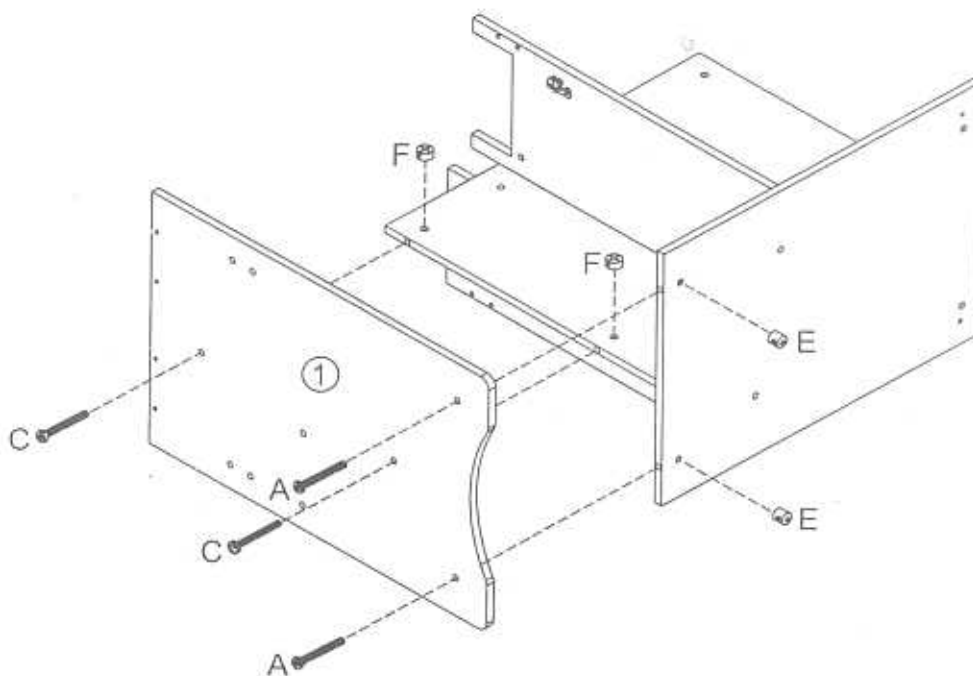


IMPORTANT! DO NOT TIGHTEN SCREWS OR BOLTS UNTIL COMPLETELY ASSEMBLED.

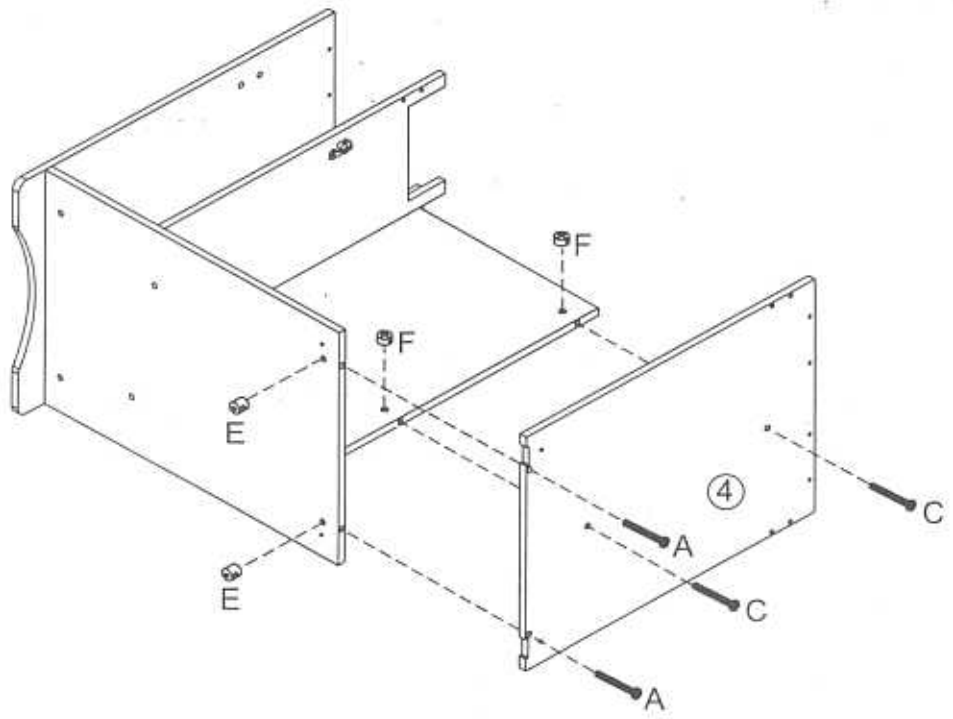
3



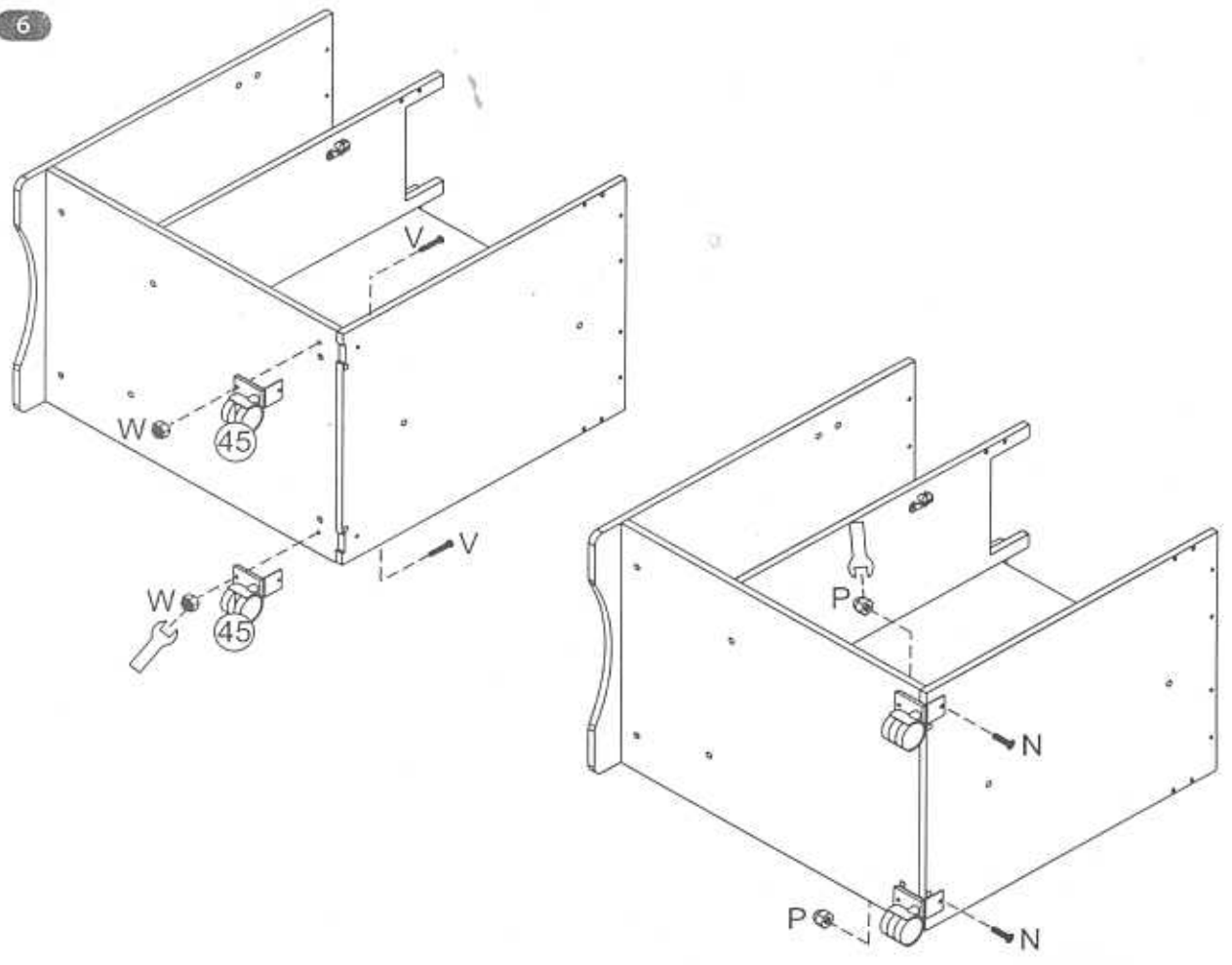
4



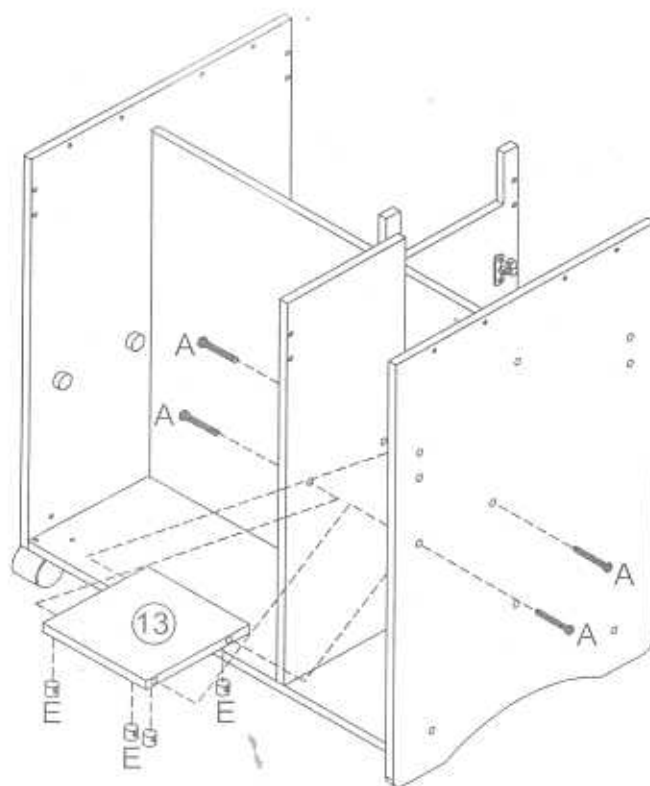
5



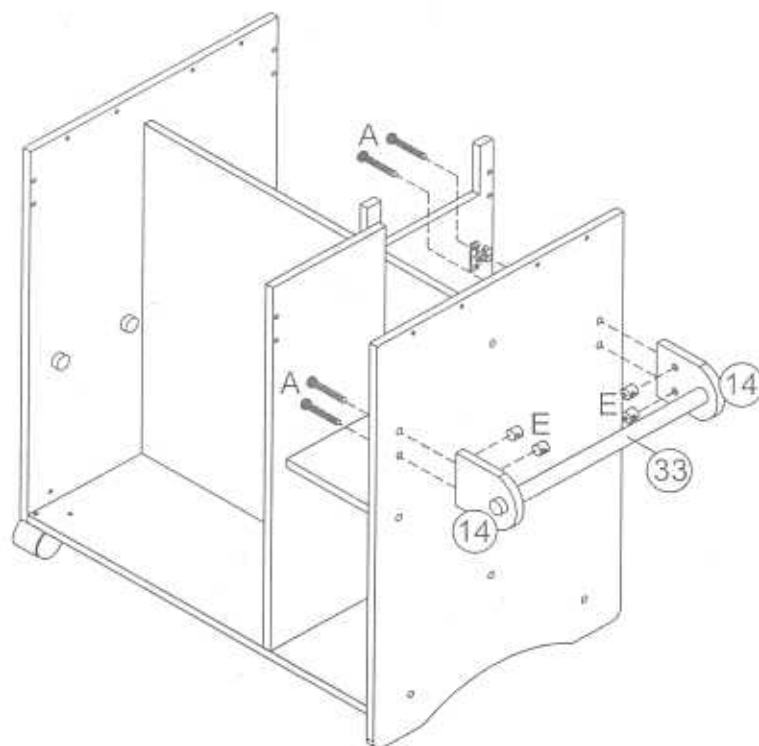
6



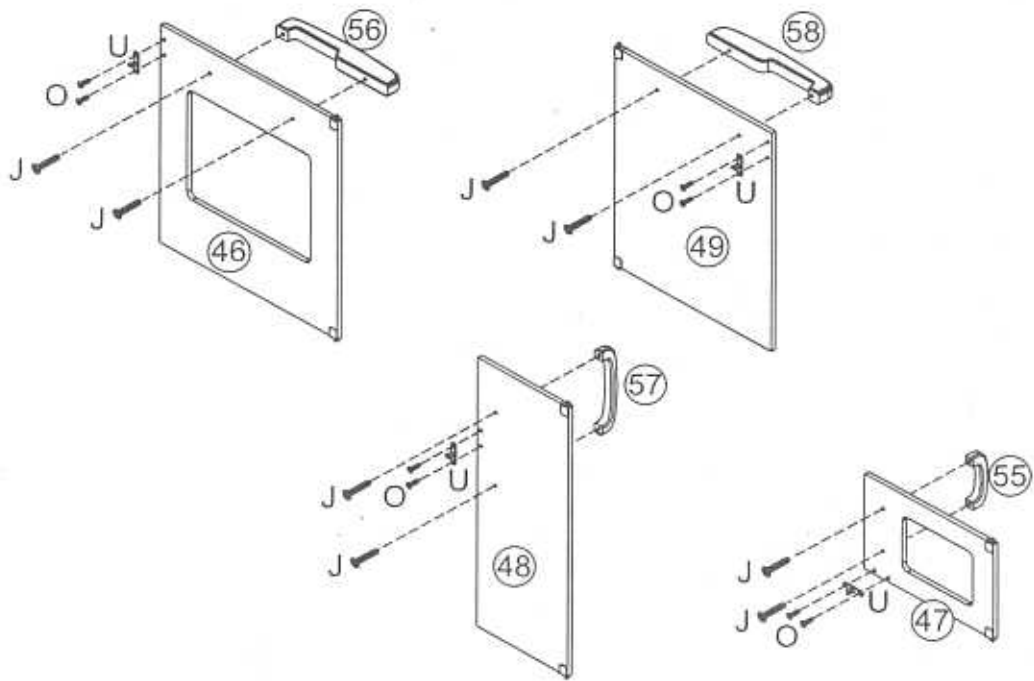
7



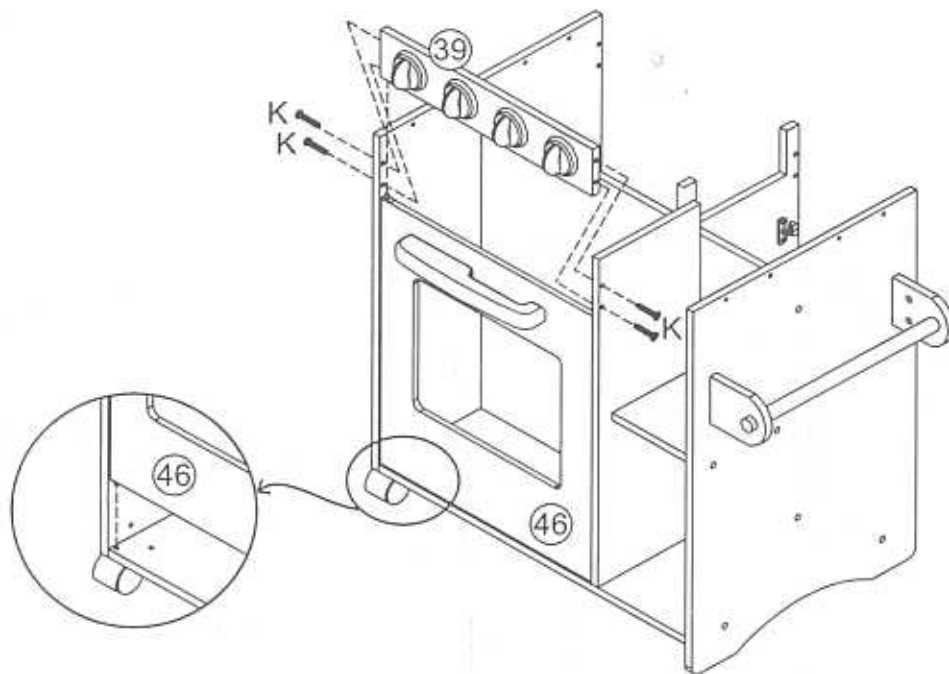
8



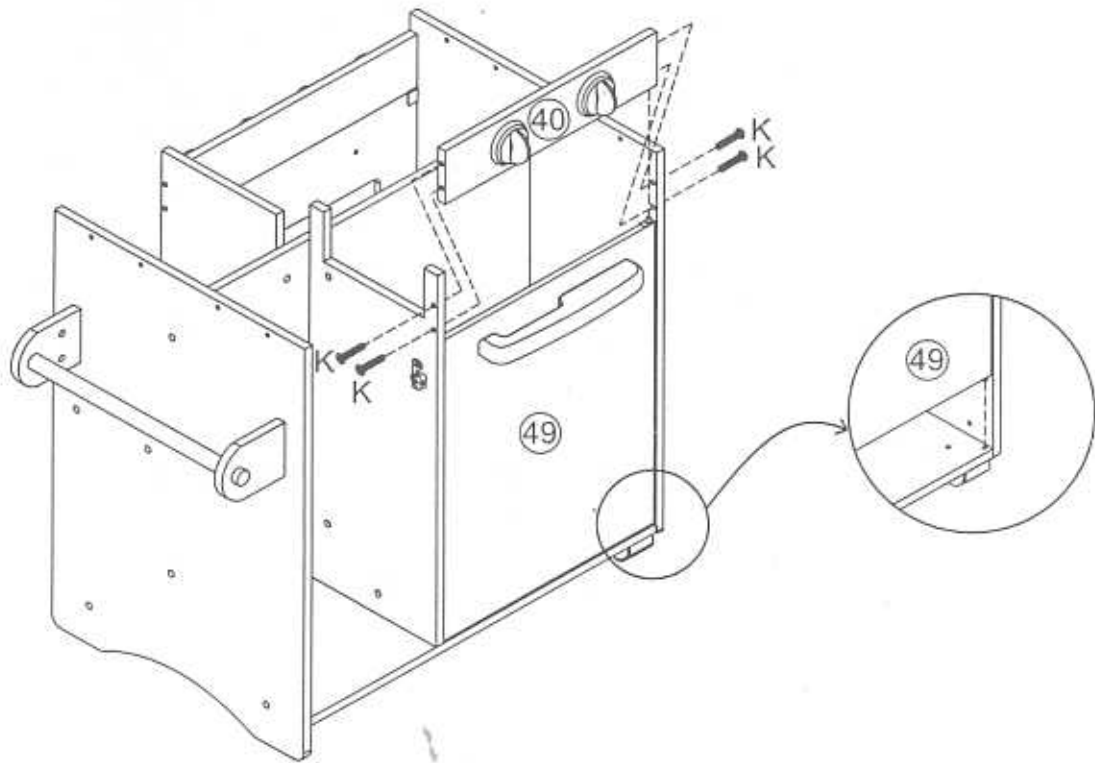
9



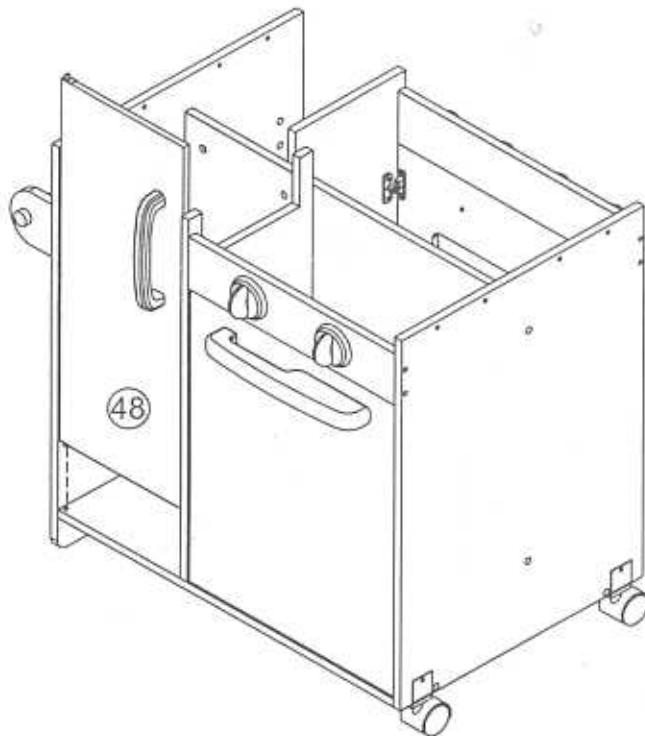
10



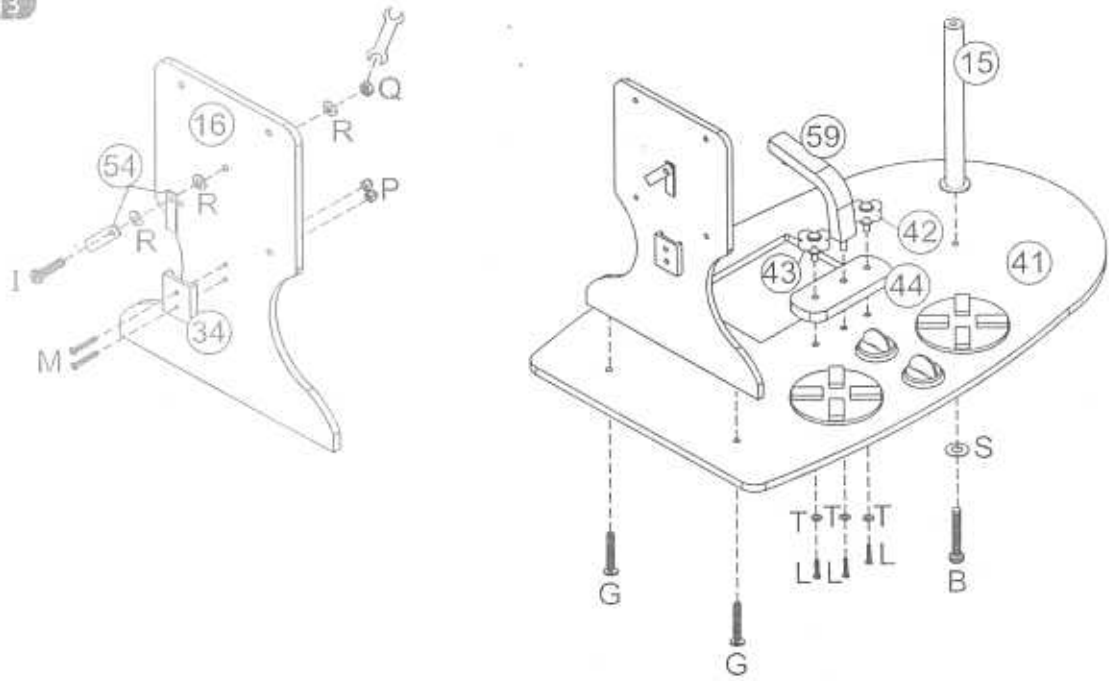
11



12

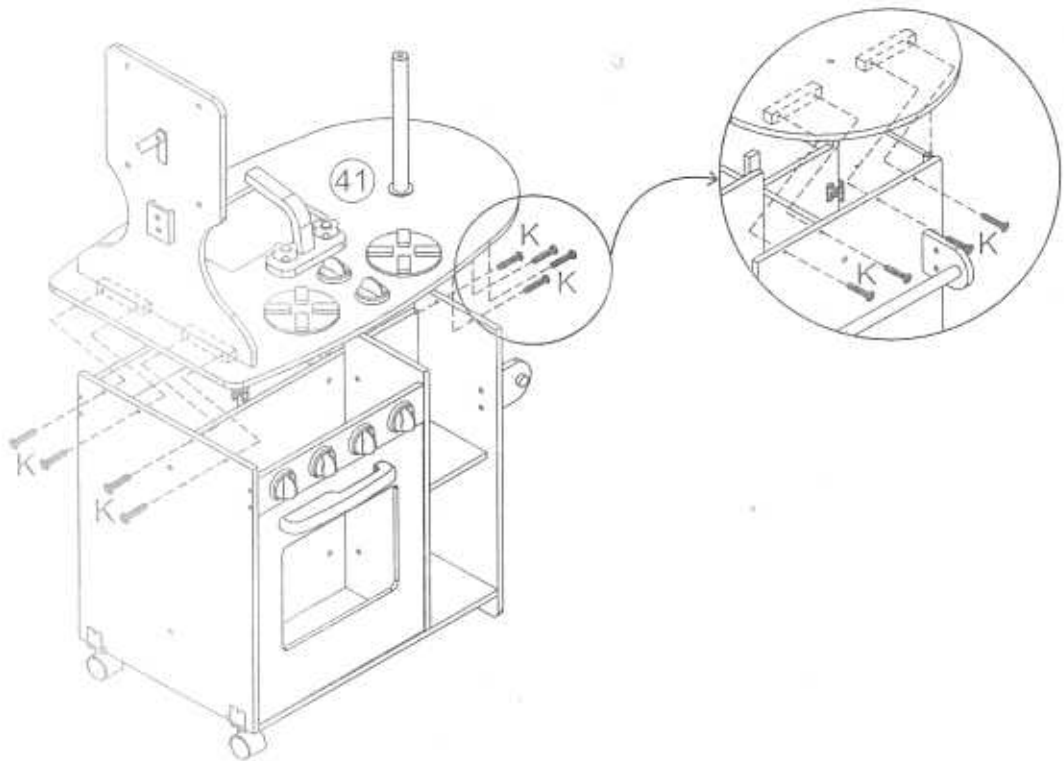


13

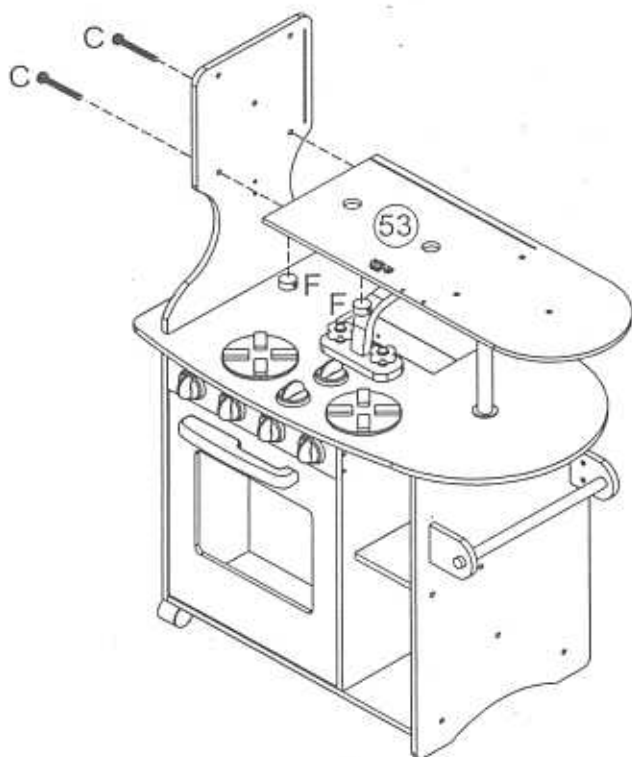


14

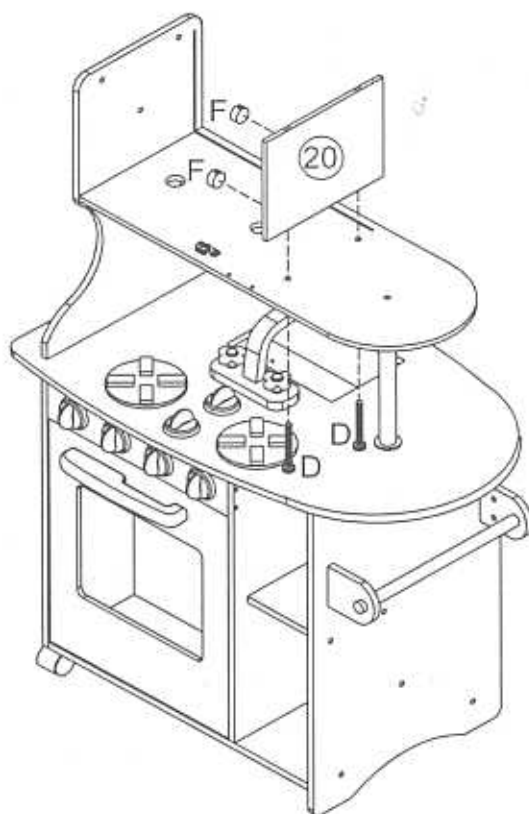
Blocks with dashed markings are underneath the counter top.



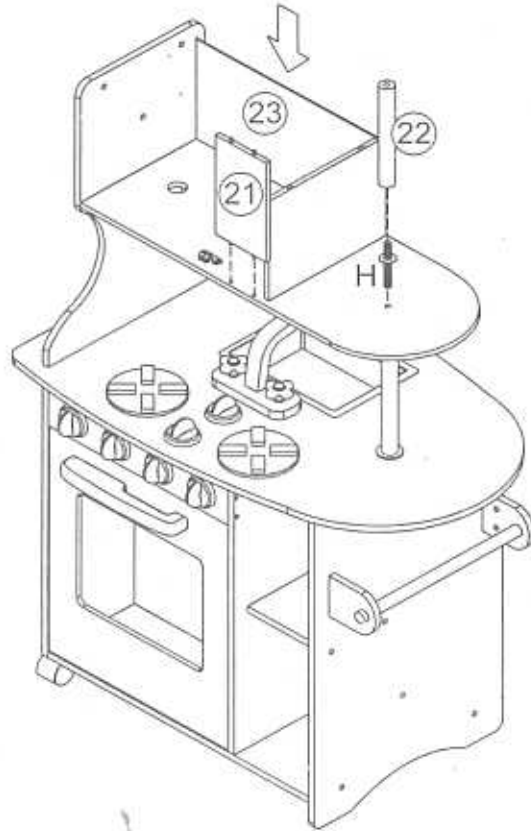
15



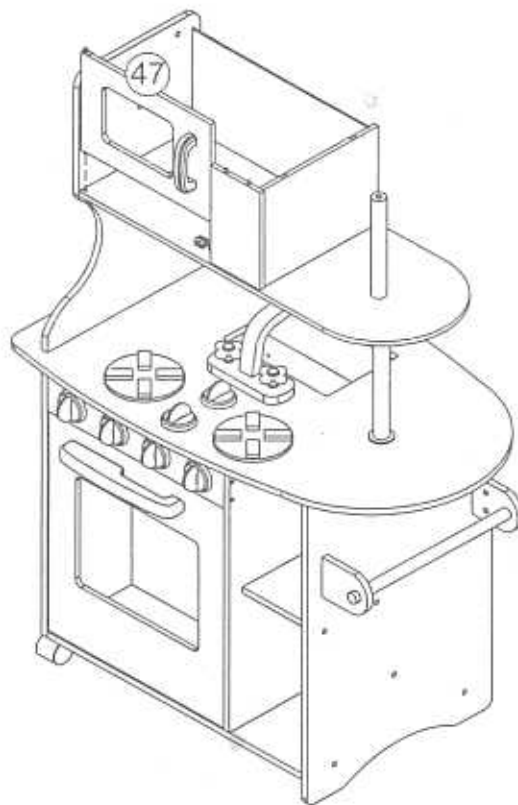
16



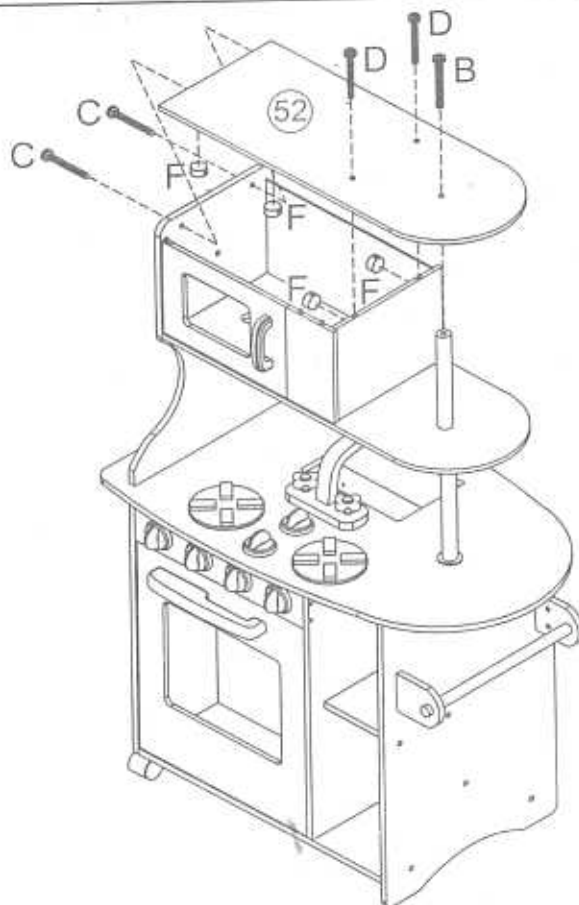
17



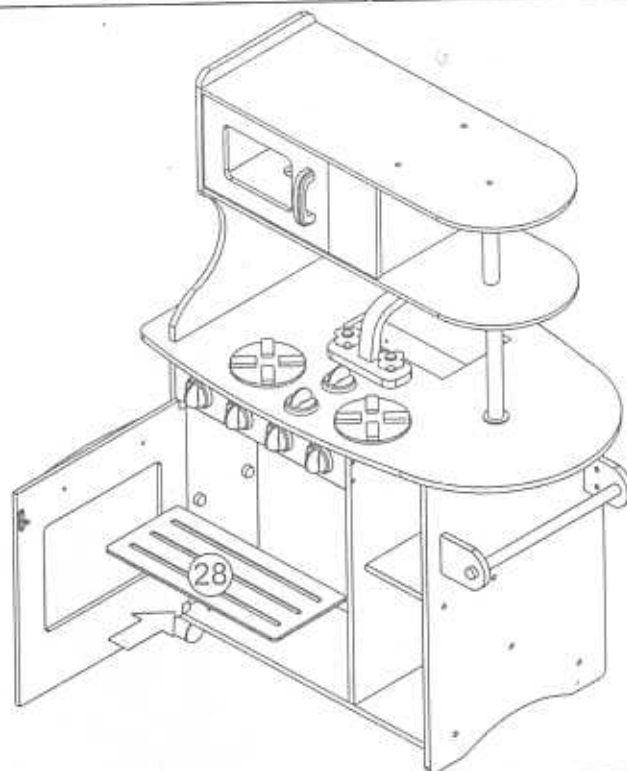
18



19

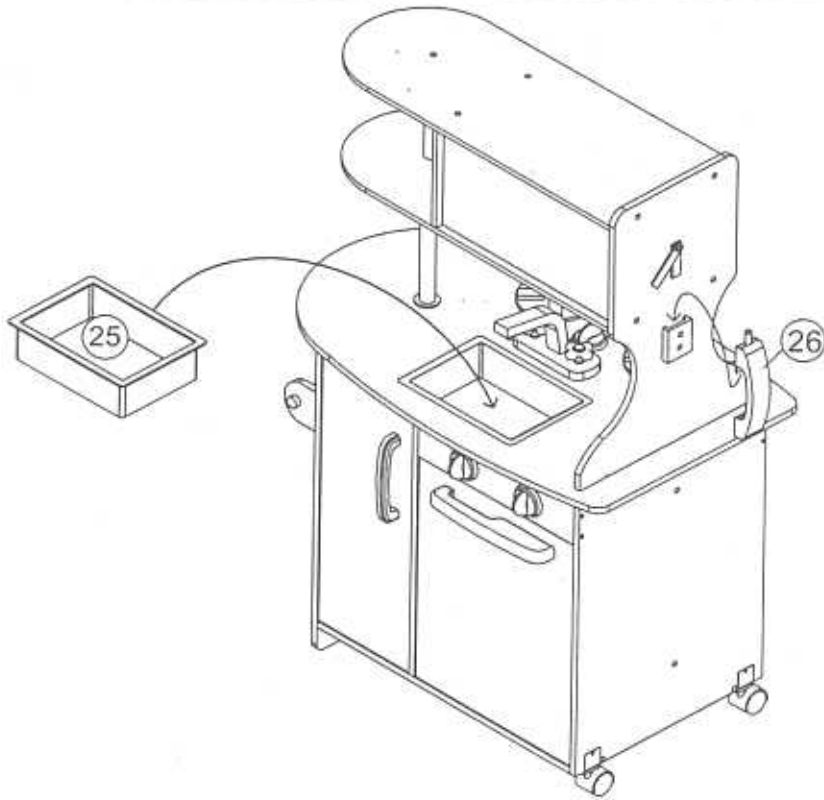


20

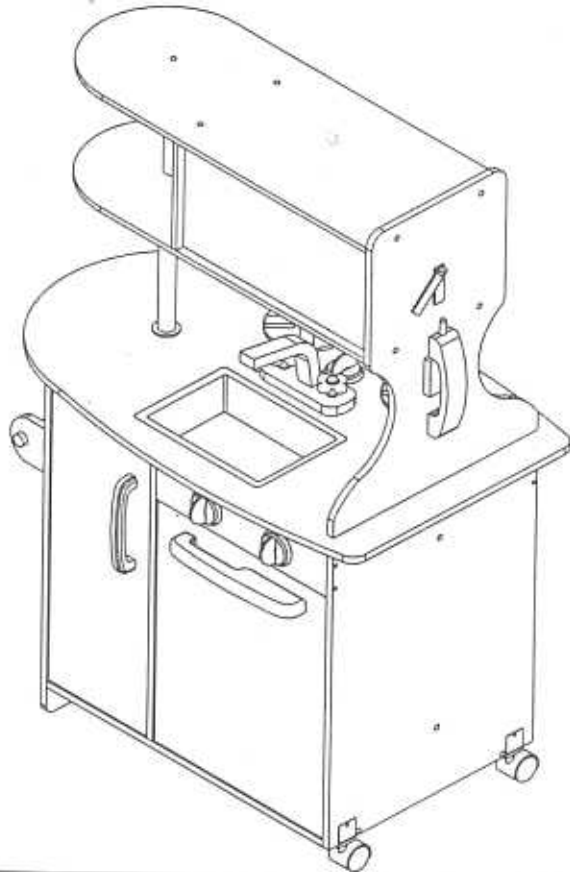


assembly

21



complete



Imported by: Early Learning Centre
Swindon
SN3 4TJ
England



Please retain this information for future reference.

Warning: This is intended for children of a specific age or above. Keep children younger than the specified age from using this item. Do not let children of any age climb on or around this item. Adult supervision is always recommended.

IMPORTANT INFORMATION - PLEASE READ FIRST

ALL OF OUR WOODEN ITEMS ARE HANDCRAFTED, HAND ASSEMBLED, AND HAND PAINTED. EACH ONE IS UNIQUE. SLIGHT IMPERFECTIONS MAY OCCUR AND ARE NOT MANUFACTURING DEFECTS.

PLEASE NOTE THAT WE DO NOT WARRANT AGAINST THE USE OF PERMANENT MARKERS, NON-WATER-BASED PAINTS, CRAYONS, OR WASHABLE MARKERS. SOME OF THESE ITEMS CONTAIN PERMANENT COLOR DYES THAT COULD DAMAGE THE SURFACE.

CLEANING INSTRUCTIONS

CLEAN THE SURFACE USING A SLIGHTLY DAMP CLOTH AND MILD DISH WASHING LIQUID IF NECESSARY. DO NOT USE ANY CLEANING PRODUCT CONTAINING ALCOHOL OR AMMONIA. THESE WILL DULL THE SHINY SURFACE OF THE PRODUCT. FURNITURE POLISH WILL ALSO WORK TO CLEAN AND DUST OFF THE SURFACE.

WE RECOMMEND THAT YOU TEST ALL CLEANING MATERIALS ON THE UNDERSIDE OF ANY SURFACE THAT WOULD NOT BE SEEN DURING NORMAL USE OF THE PRODUCT. IF YOU HAVE QUESTIONS REGARDING THE MAINTENANCE OF THIS PRODUCT PLEASE FEEL FREE TO CALL US.

SOLE AND LIMITED WARRANTY

THIS TOY IS WARRANTED SOLELY AGAINST MANUFACTURING DEFECTS FOR A PERIOD OF 90 DAYS FROM THE DATE OF PURCHASE, WHICH WARRANTY RUNS ONLY TO THE ORIGINAL USER OF THE TOY. IN THE EVENT OF A MANUFACTURING DEFECT, THE TOY WILL BE REPLACED OR THE PURCHASE PRICE REFUNDED, AT THE ELECTION OF THE MANUFACTURER. TO ACTIVATE AND PROTECT THIS WARRANTY, PRESERVE EVIDENCE OF ORIGINAL PURCHASE AND CAREFULLY INSPECT THE CONDITION OF THE TOY PRIOR TO AND AFTER ASSEMBLY, LOOKING FOR MISSING, DEGRADED, BROKEN OR HAZARDOUS PARTS, INCLUDING PARTS WHICH CAN BE SWALLOWED BY A CHILD, CAUSE A CHILD TO CHOKe, OR OTHERWISE CAUSE INJURY. SUCH PARTS MAY INCLUDE MAGNETS, WHEELS, HUBS, FASTENERS, AND CONNECTORS. SHOULD YOU OBSERVE ANY DEFECTS, DO NOT USE THE TOY AND IMMEDIATELY NOTIFY THE MANUFACTURER. FAILURE TO DO SO SHALL CONSTITUTE MISUSE. MISUSE, IMPROPER ASSEMBLY, FAILURE TO HONOR A WARNING, FAILURE TO SUPERVISE, INSPECT OR MAINTAIN THE TOY, OR DAMAGE TO THE TOY, WHETHER INTENTIONAL OR INADVERTENT, SHALL INVALIDATE THIS WARRANTY.

TO SUBMIT A WARRANTY CLAIM PLEASE CONTACT CUSTOMER SERVICE FOR INSTRUCTIONS ON HOW TO PROVIDE PROOF OF PURCHASE AND HOW TO RETURN THE ITEM FREIGHT PRE-PAID.