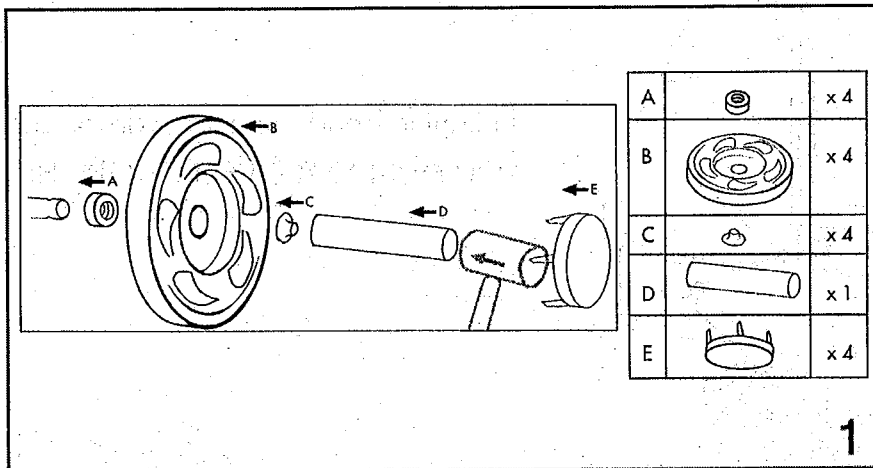




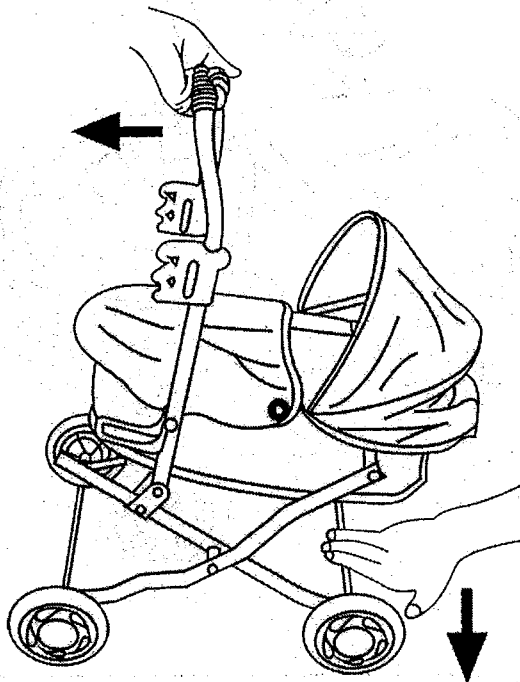
AGE 2 YEARS +

MY FIRST PRAM

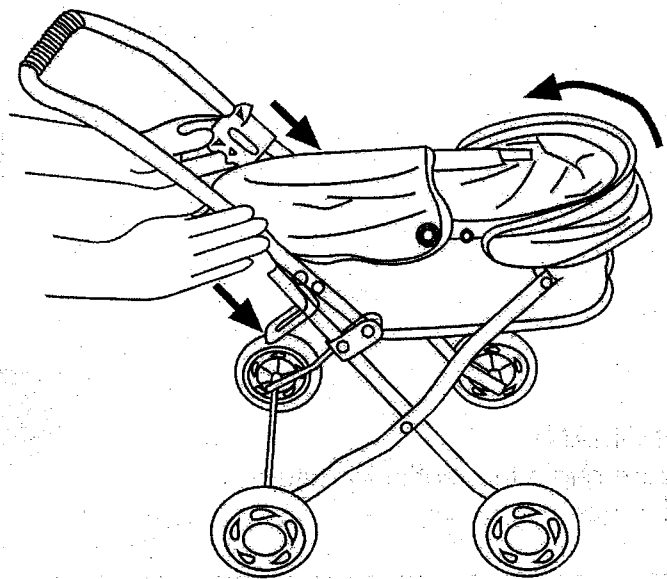
1. Assemble wheels with connectors as shown



2. Open and erect Pram frame



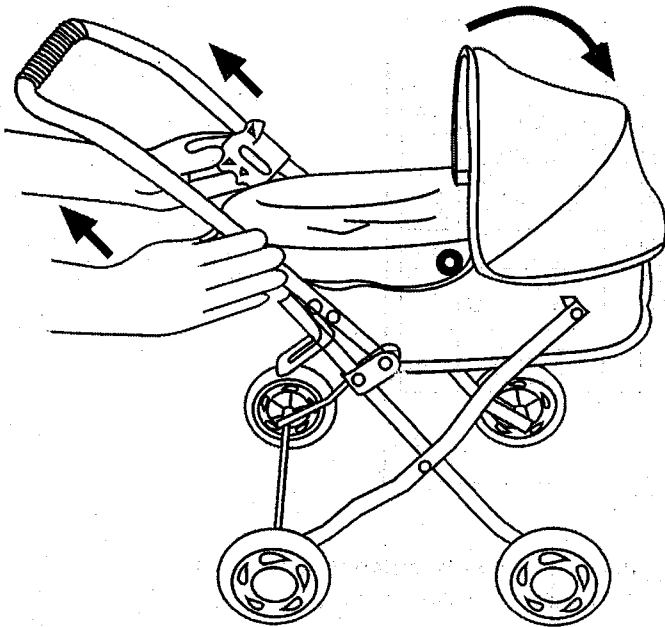
3. Ensure safety catches are firmly pushed over side tubes



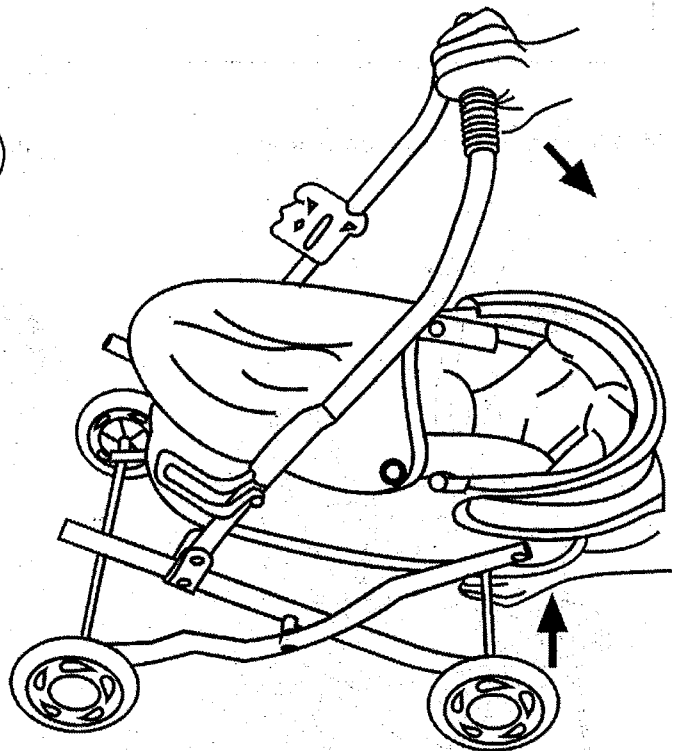
- **WARNING** - This item is a toy and is not suitable for carrying babies, children or pets.
- Assembly should be carried out by an adult.
- Please remove all packaging attachments before giving to your child.

MY FIRST PRAM

4. To fold pram reverse the procedure



To tighten Hood use a screwdriver and plier .
YOU MUST **NOT** OVERTIGHTEN THE HOOD



IMPORTANT:-
Please retain this leaflet for future
reference.

CARE AND MAINTENANCE

CLEANING:- Do not machine wash this fabric, please wipe with a damp cloth.
Use mild detergent if necessary.

CHECKS:- Please ensure all locking mechanisms are checked regularly for damage.
If these are damaged in any way, discontinue use. Failure to carry out these checks
may cause the item to collapse.