



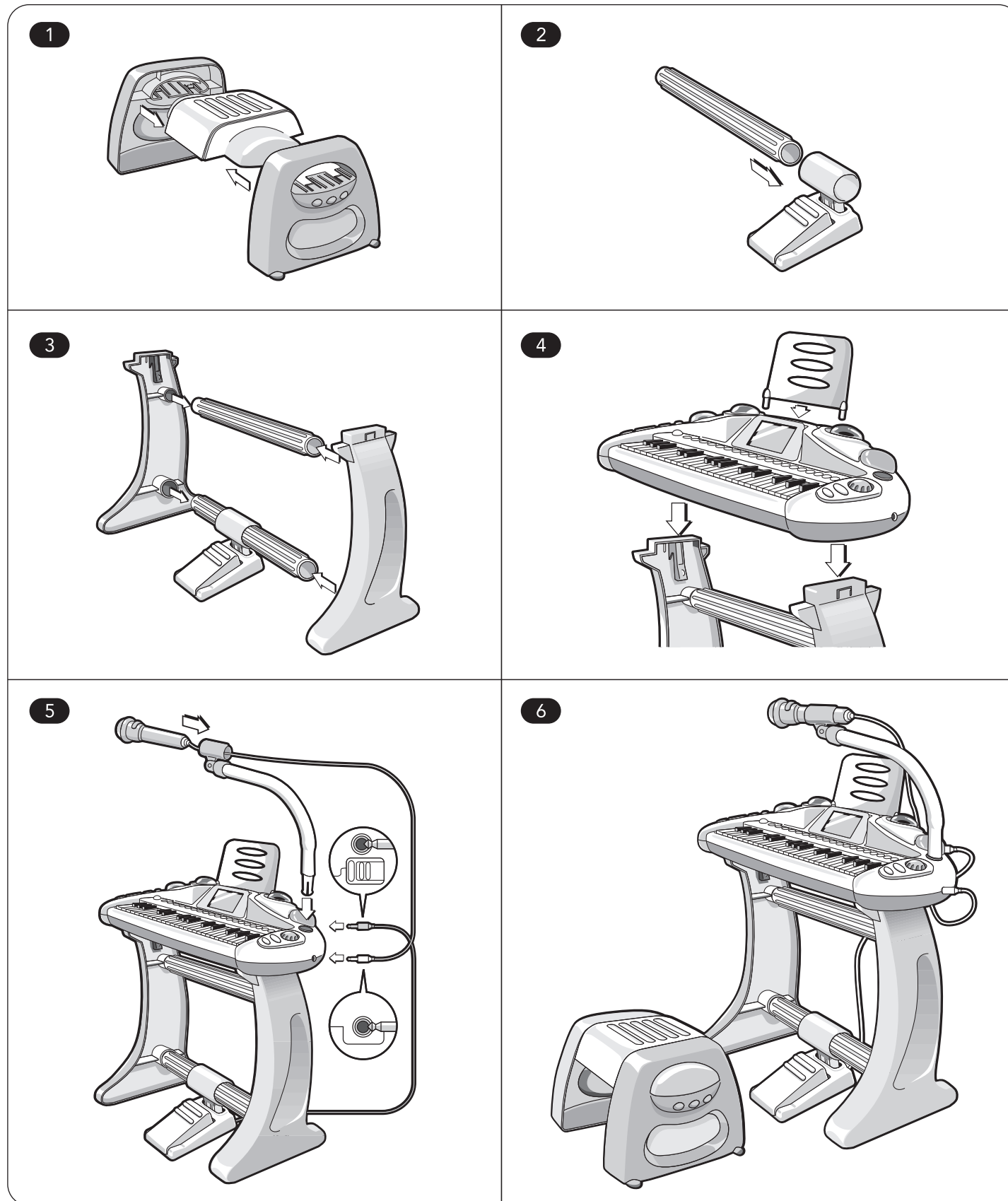
funky beats keyboard

instructions

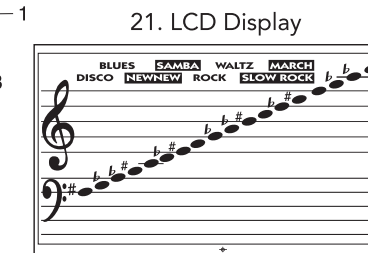
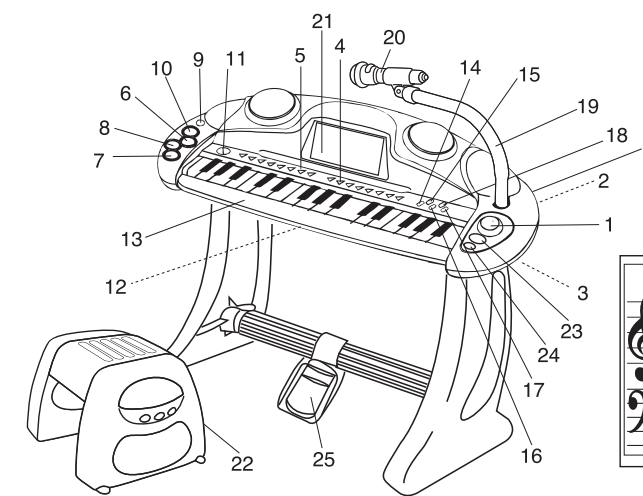
112971/ 112982 0506
Early Learning Centre®
Swindon SN3 4TJ England.

Customer Service Department
01793 443322

assembly



features



1. Volume knob (MAX/OFF)
2. Mic Socket
3. Battery Compartment (Rear side)
4. Rhythmic Selector (x8)
5. Musical Instrument Tones (x8)
6. Replay key
7. Demo key (8 Songs continued)
8. One Song Demo key
9. Stop key
10. Record key
11. Tempo Up/ Down Control key
12. Speaker(Rear side)
13. Keyboard
14. Low Tom select key
15. High Tom select key
16. Bass Drum select key
17. Cymbal select key
18. High-hat select key
19. Microphone holder
20. Microphone
21. LCD Display
22. Stool
23. One Key One Play button
24. Learning button
25. Sustain pedal
26. Sustain pedal socket

Operations:

1. Start playing

- Insert batteries in the battery compartment at the rear side.
- Turn the "VOLUME" knob clockwise and start playing.

2. Play keyboard

Press one of the keys, the keyboard LED will light up and the LCD screen will show the corresponding music note. The LCD screen will help you distinguish each note of the scale by displaying the appropriate note of the scale as you play the actual note. Learn to compose your own music.

3. Change all instrument sound

Select one of eight instrument keys: PIANO, ORGAN, VIOLIN, TRUMPET, MANDOLIN, BELL, MUSIC BOX, and GUITAR, Press the key to play the sound effect.

4. Rhythm

- There are 8 different rhythms.
- You can also play keyboard while rhythm is playing.
- To stop the rhythm, press the Stop key.
- To adjust the speed of the rhythm, press Tempo up/down control key.

5. Play demo song

- Press 1 SONG key to listen to one demo song only, to listen to the next song, press it again.
- Press the FULL key to play and listen to all demo songs.
- Press the stop key to stop the demo song.
- Press the TEMPO UP/DOWN control key to adjust the demo song speed.

6. Play drum sound

- For drum sounds, press any of the following keys:
 - Low Tom select key
 - High Tom select key
 - Bass Drum sound select key
 - Cymbal select key
 - High-hat select key

7. Record

- Press the RECORD button to start recording.
- Press the REPLAY button to play back what you have recorded.

8. Play sing-a-long

- Plug the microphone into the microphone jack for Sing-A-Long.

9. One key one play

- Press the ONE KEY ONE PLAY button, then press the 1 SONG button and play any one of the keys, this will run the keytone of the selected demo song with LED flashing.

10. Play learning

- Press the LEARNING button to learn how to play the demo song. Press the 1 SONG button and then press the LED flashing keys for learning.

11. Sustain sound

- Plug the jack of the sustain pedal into the sustain pedal socket.
- Step on the sustain pedal to have sustain effects while playing the keyboard.