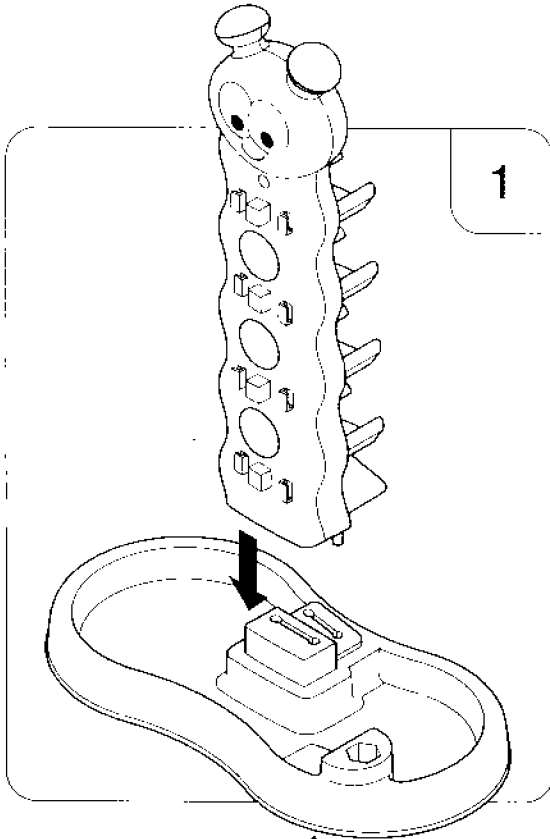


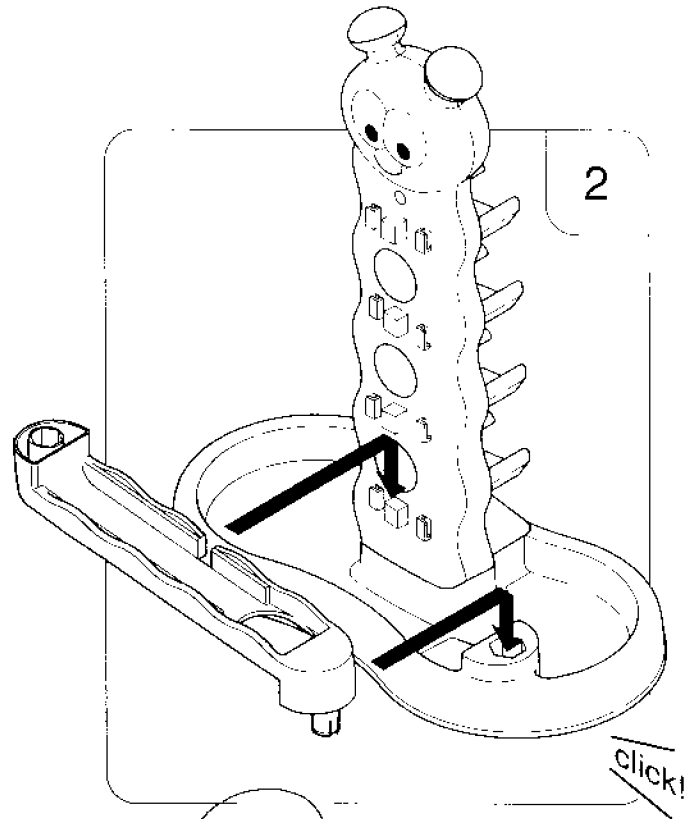
# click-clack caterpillar

12 months +  
Adult assembly required



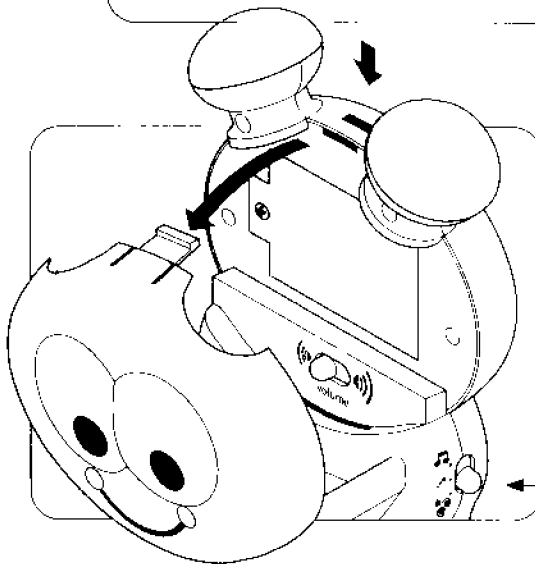
1

Using a cross-head screwdriver secure the caterpillar body to the base with the four screws included.



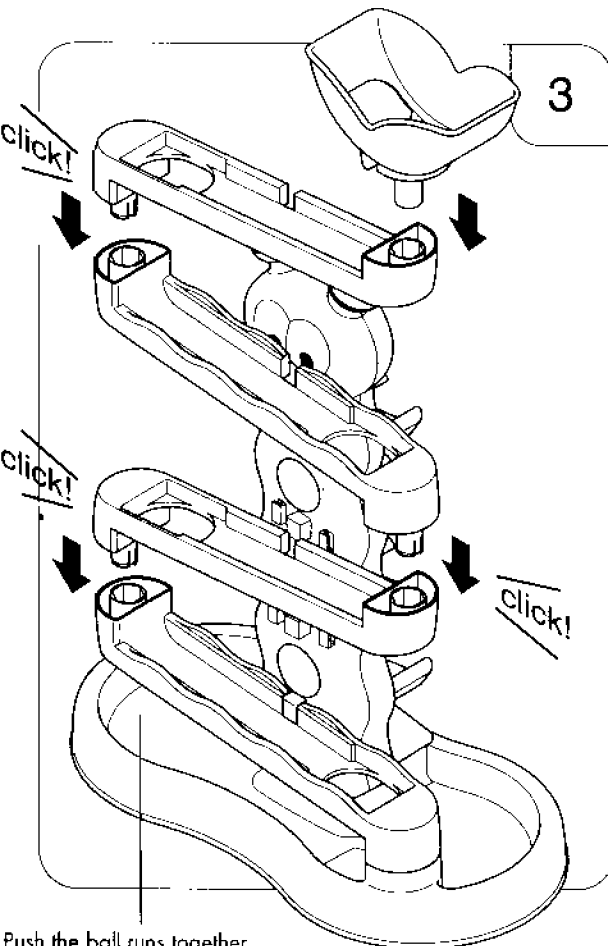
2

click!



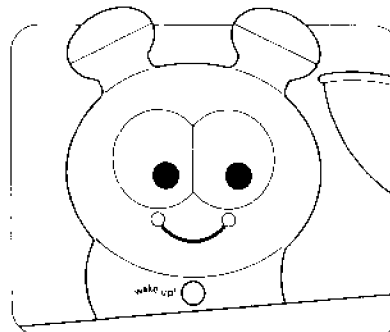
Remove the face cover to access the battery compartment and volume control switch

Mode switch

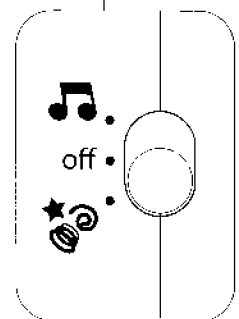


3

Push the ball runs together until you hear a clicking sound.



To conserve battery life when switched on the toy will automatically go to sleep after a period of inactivity. To reactivate the toy press the "wake up" button.



The toy has two modes of play.

= Plays melodies and fun sounds when sensors are triggered.

= Only plays fun sounds

SKU: 105276

Early Learning Centre® Swindon SN3 4TJ England.

Customer Service Department 01793 443322

