

| | | | | | | | | |
|--|----------------------|------------------|---------------------|---------|------------------------|---------|--------------------------------------|---------|
| SKU no. 113622 Name electronic disco dude Buying team making music Designer James Date created 15.3.06 | Initial Check | | Final Check | | Final Approval | | Sign-off film & wet proof | |
| | Packaging Design | | Product Manager | | Chas/Paul (FE product) | | Packaging Design (FE product) | |
| | Date | Initial | Date | Initial | Date | Initial | Date | Initial |
| | Copywriter | | Product Acquisition | | Buyer (UK product) | | Buyer (UK product) | |
| Date | Initial | Date | Initial | Date | Initial | Date | Initial | |
| | | QA | | Date | Initial | | | |
| | | Packaging Design | | Date | Initial | | | |
| | | | | Date | Initial | | | |

AW06



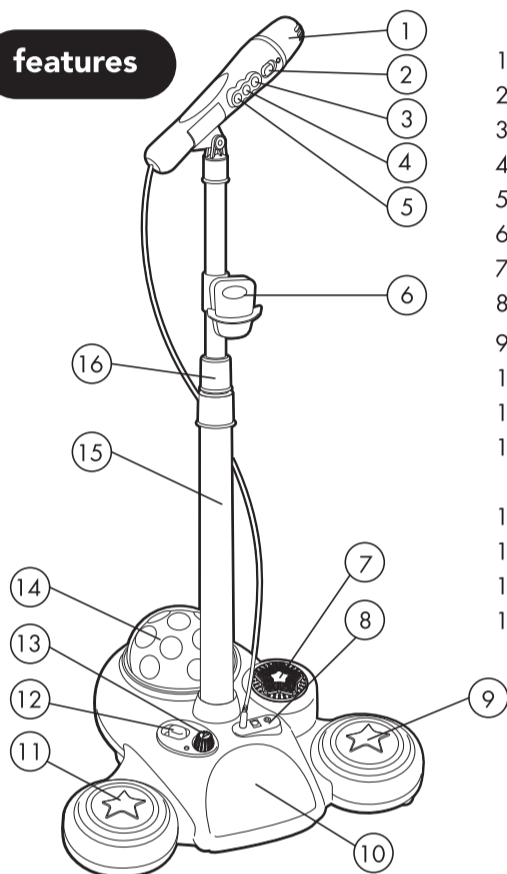
Disco diva

instructions

113622 0306
 Early Learning Centre®
 Swindon SN3 4TJ England.

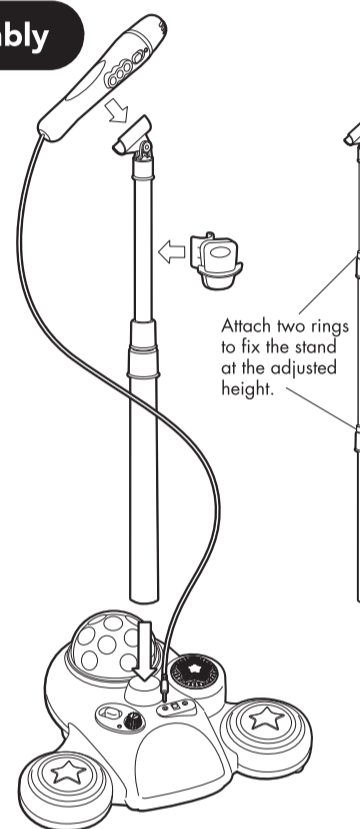
Customer Service Department
01793 443322

features



1. Microphone
2. Microphone power on/off
3. Chanting button
4. Claps button
5. Boos button
6. Music book clip
7. Speaker
8. Mic jack/DC jack/Aux in
9. Boos pedal
10. Claps pedal
11. Chanting pedal
12. Disco ball power switch (On/Off/Flash)
13. Volume on/off
14. Disco ball
15. Adjustable microphone stand
16. Height adjusting collar

assembly



Attach two rings to fix the stand at the adjusted height.

LIGHT BULB REQUIREMENTS

Required light bulb 9V/750mA, max 6.75W.

Caution: Light bulb is hot!

Warning: Using a bulb that does not meet these specifications might damage the rotating light.
 Make sure that volume switch and disco ball power switch are set to **OFF**, the toy is disconnected from the transformer and the light bulb has cooled down when replacing light bulb.

MAINS TRANSFORMER OPERATION

Use an external transformer (not included) with DC 9V max, 1200 mA terminals. Press the plug into DC jack. Any safety isolating transformer used with the unit has to be regularly examined for damage to the cord, plug, enclosure and other part, and that in the event of such damage, the toy must not be used with this transformer until the damage has been repaired.

- the toy is not intended for children under 3 years old,
- the toy must only be used with the recommended transformer,
- the transformer is not a toy,
- toy liable to be cleaned with liquid are to be disconnected from the transformer before cleaning.

HOW TO REPLACE LIGHT BULB

Light bulb should only be changed by an adult.

1. Remove small locking screw at the back of the base of disco microphone to release the cover and take the bulb stand out carefully.
2. Unlock used light bulb and replace with the new one.
3. Replace the bulb stand and the cover then replace the screw.

