



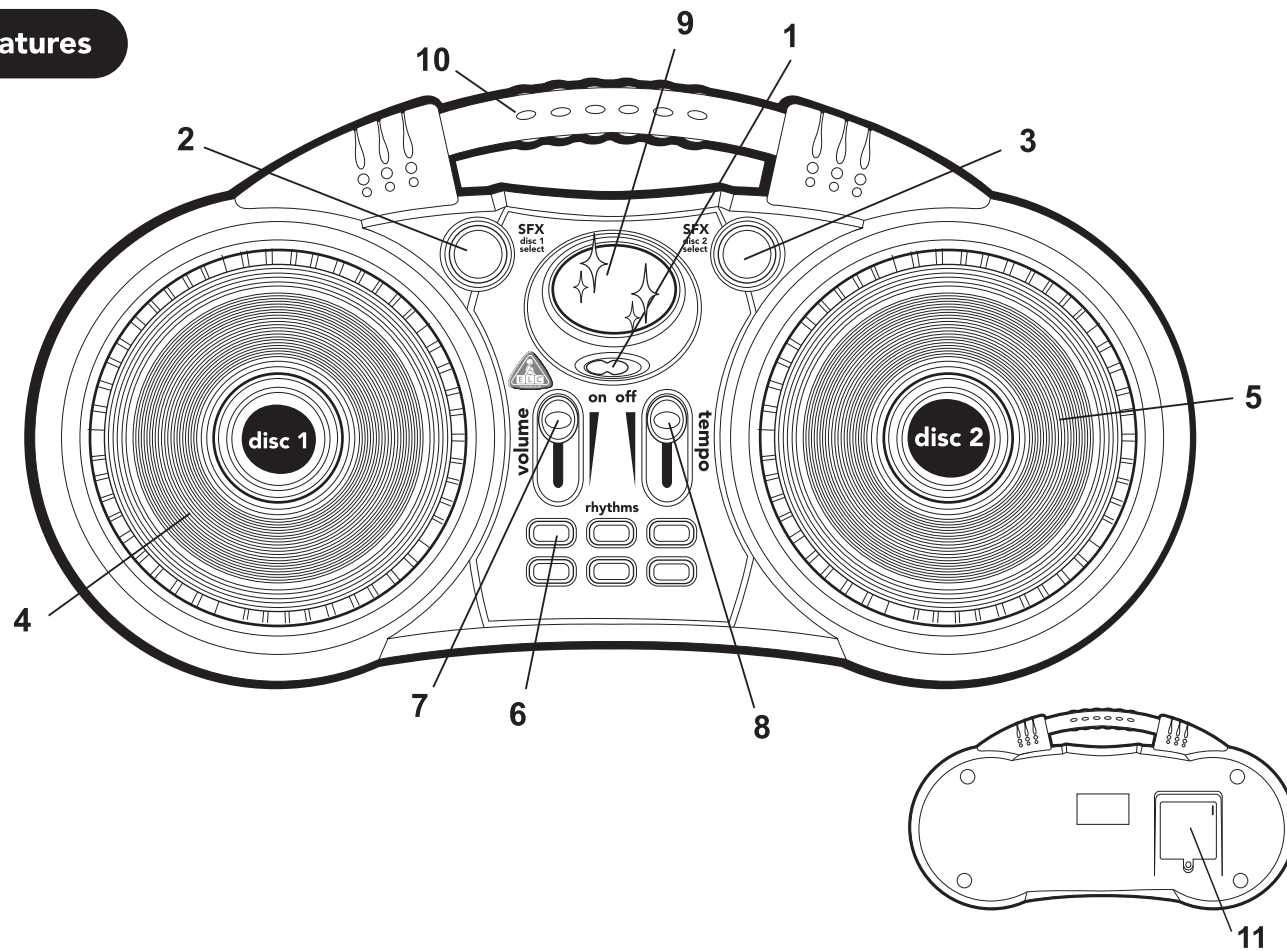
DJ mixer

instructions

113997 0306
Early Learning Centre®
Swindon SN3 4TJ England.

Customer Service Department
01793 443322

features



1. Power On / Off

Switch this key to turn the unit on and off

2. SFX key 1 (Sound effect Select Key for Disc 1)

Press this key to select disc sound effects for Disc 1, there are 6 sound effects for this disc

3. SFX key 2 (Sound effect Select Key for Disc 2)

Press this key to select disc sound effects for Disc 2, there are 6 sound effects for this disc

4. Spinning Scratch Disc 1

Press the "SFX" key of Disc 1 to choose the ideal sound effect and spin the disc clockwise and anticlockwise for different sound effects.

5. Spinning Scratch Disc 2

Press the "SFX" key of Disc 2 to choose the ideal sound effect and spin the disc clockwise and anticlockwise for different sound effects.

6. 6 Rhythm Select Keys

Press this key to select 6 different rhythms.

7. Volume Control

Volume can be adjusted by sliding this key upward or downward.

8. Tempo Control

Tempo can be adjusted by sliding this key upward or downward.

9. Flashing Light

The light will flash to beat of the songs

10. Handle

11. Battery Door