



Train Set

instructions

116499
Early Learning Centre*
Swindon SN3 4TJ England.

Customer Service Department
08705 352 352

IMPORTANT INFORMATION- PLEASE READ FIRST

ALL OF OUR WOODEN ITEMS ARE HANDCRAFTED, HAND ASSEMBLED, AND HAND PAINTED. EACH ONE IS UNIQUE. SLIGHT IMPERFECTIONS MAY OCCUR AND ARE NOT MANUFACTURING DEFECTS.

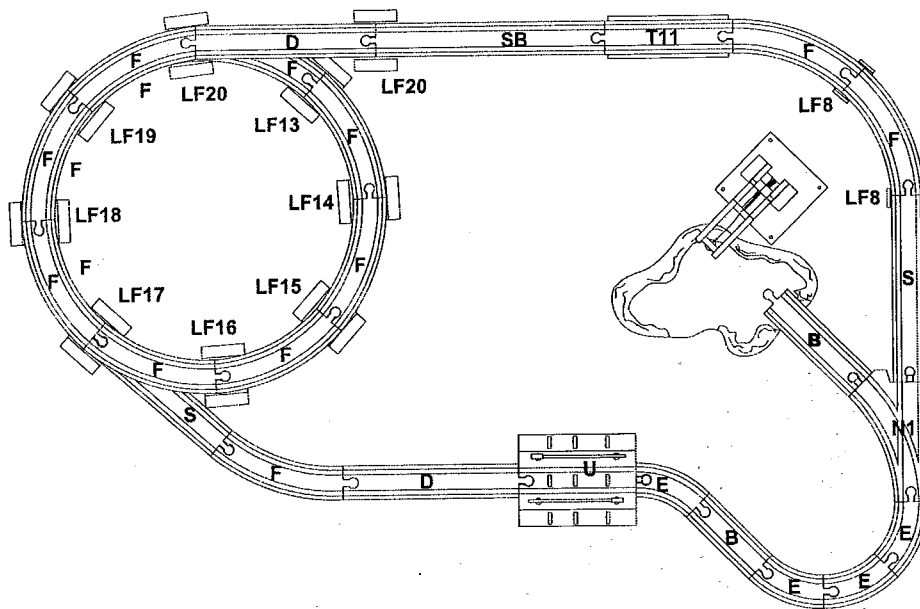
DO NOT LEAVE OUTDOORS IN COLD OR WET WEATHER.

USE AND MAINTENANCE:

- Use on level surfaces only
- Please check assembly at regular intervals, and frequently tighten hardware if necessary. If maintenance is not carried out, the product could cease to function properly.

⚠ CAUTION: Adult assembly required. Hardware contains small screws with sharp points. Keep unassembled parts out of the reach of small children.

⚠ WARNING: CHOKING HAZARD
Unassembled parts may be a choking hazard to children 3 years and younger.





Train Set

instructions



116499
Early Learning Centre
Swindon SN3 4TJ England.

Customer Service Department
08705 352 352



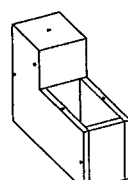

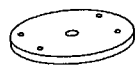
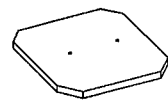
contents

B x2 	D x2 	E x4 	F x14 		
LF8 x2 	LF13 x1 	LF14 x1 	LF15 x1 	N1 x1 	S x2
LF16 x1 	LF17 x1 	LF18 x1 	LF19 x1 	LF20 x2 	
SB x1 	U x1 	T11 x1 	374A x1 	101 Y1,Y3,Y4 =3 	
113 x2 	358B =3 	368 x3 	369 x3 	364 x1 	Q x1
367 x3 	BD x1 	365 x1 	351B x2 	334 x5 	
516A x1 	528B x1 	529B x1 	531 x1 	532 =2 	
501B x1 	544 x1 	551T =2 		553 x1 	
719 x1 	815 x1 	836 =2 		837 x1 	

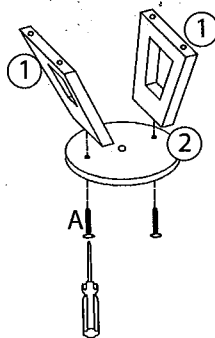
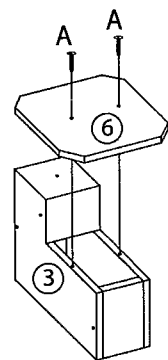
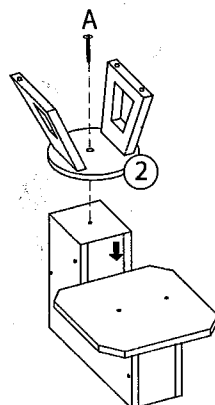
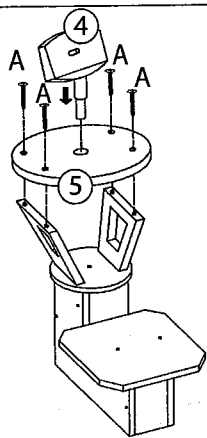
hardware

<p>A x9</p> <p>Screw (13mm)</p> 	<p>x1 The following tool is required for assembly:</p>  <p>Phillips® Screwdriver</p>
--	--

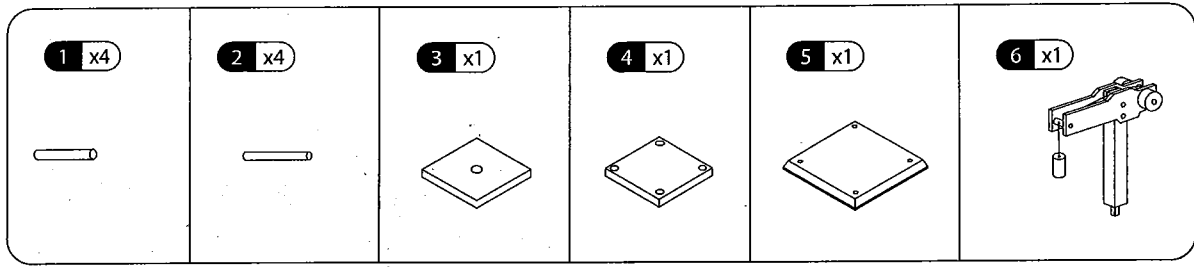
helipad parts list

<p>1 x2</p> 	<p>2 x1</p> 	<p>3 x1</p> 
<p>4 x1</p> 	<p>5 x1</p> 	<p>6 x1</p> 

helipad assembly

<p>1</p> 	<p>2</p> 
<p>3</p> 	<p>4</p> 

crane parts list



crane assembly

