



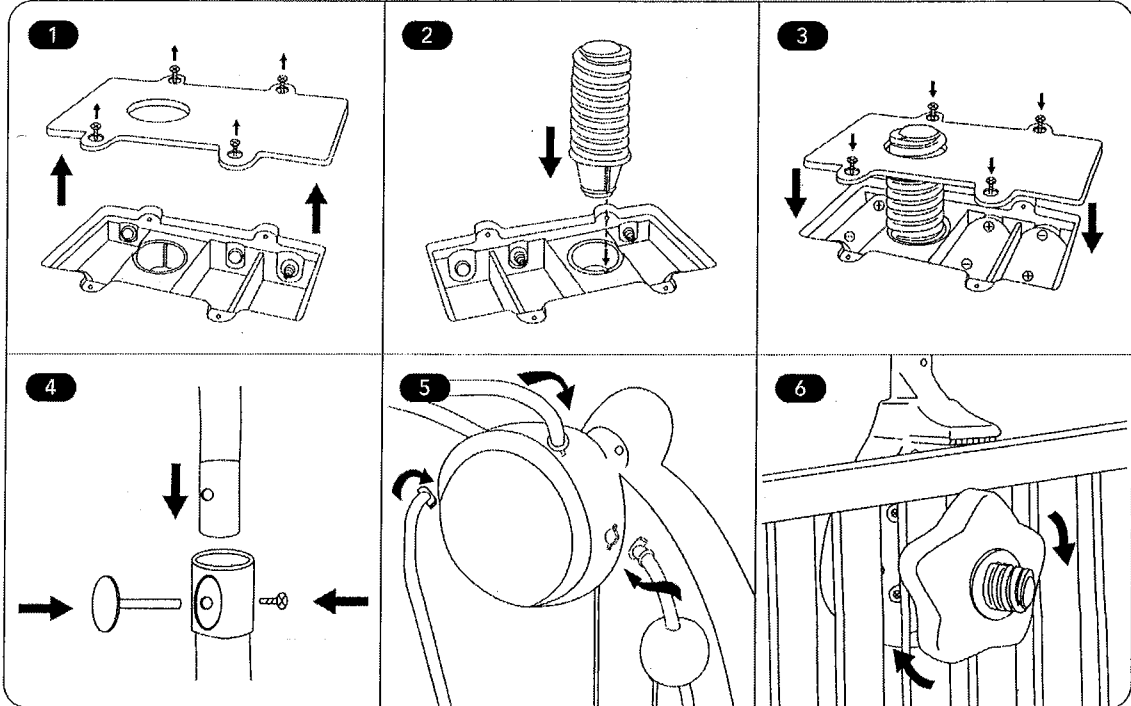
carousel mobile

instructions

113370 0406
Early Learning Centre®
Swindon SN3 4TJ England.

Customer Service Department
01793 443322

assembly



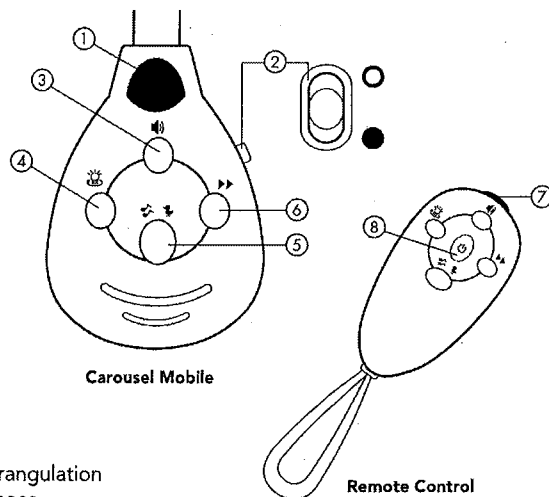
features

Carousel Mobile

1. Remote receiver
2. Power switch : ○ on ; ● off
3. Volume control : high → mute → low
4. Mode select switch :
motion → light → motion with light → both off
5. Sound type select switch : 🎵 music mode
🌿 nature sound mode
6. Melody select switch : 6 lullabies; 3 nature sounds

Remote Control

7. Remote transmitter
8. Remote power switch : switch on to remotely control all functions on the mobile *(mobile must be switched on)



Warning! To prevent possible injury by entanglement or strangulation remove toy when baby begins to push up on hands and knees.