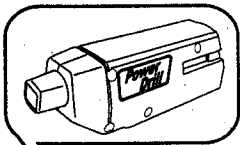


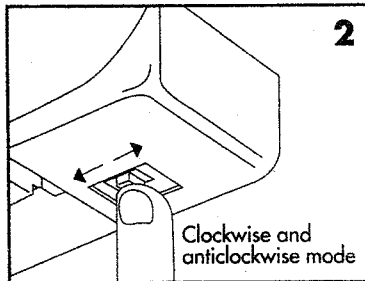
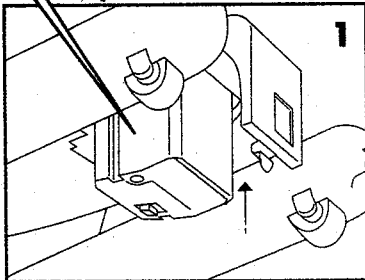
3-8 years
Adult assistance required
⚠ WARNING

CHOKING HAZARD - small parts
 Not suitable for children under 3 years because of long cord

BUILD YOUR OWN HELICOPTER KIT

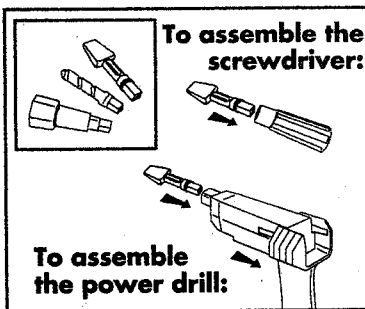
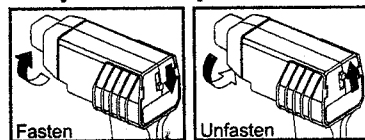


To operate the helicopter:



Clockwise and anticlockwise mode

To operate the power drill:



To assemble the power drill:

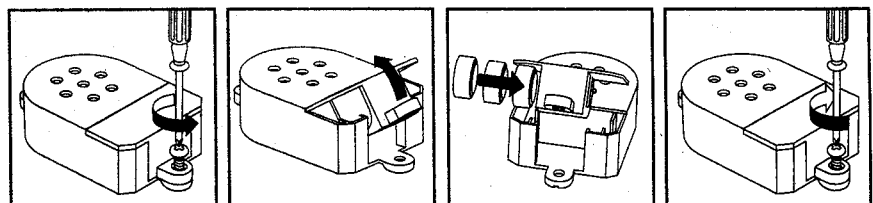
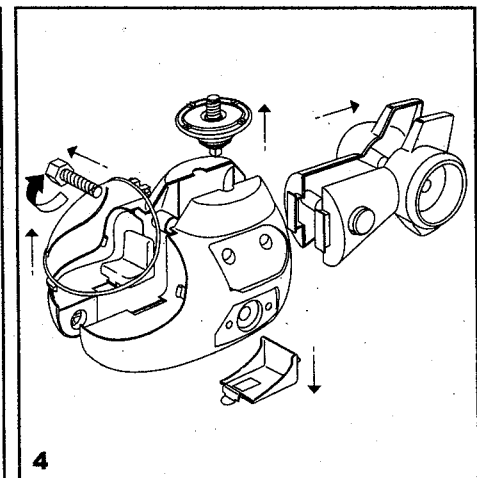
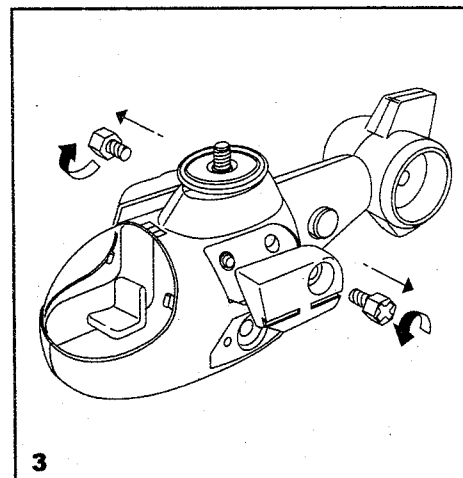
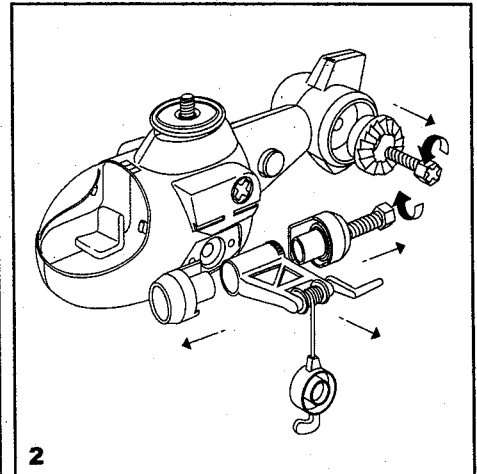
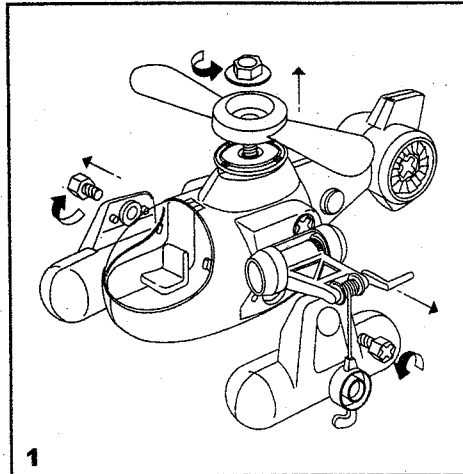
RATING: 3.0V d.c.
 0.3W
 SIZE: 'AA' 1.5V x 2

Instructions For Changing Batteries

- 1) Remove small locking screw and battery cover.
- 2) Install two 'AA' batteries into the battery compartment, as indicated by the polarity symbols marked in the diagrams.
- 3) Replace the cover and small locking screw.

- ALKALINE BATTERY RECOMMENDED.
- DO NOT USE RECHARGEABLE BATTERY.
- NON-RECHARGEABLE BATTERIES ARE NOT TO BE RECHARGED.
- RECHARGEABLE ACCUMULATORS/BATTERIES ARE TO BE REMOVED FROM THE TOY BEFORE BEING CHARGED.
- RECHARGEABLE ACCUMULATORS/BATTERIES ARE ONLY TO BE CHARGED UNDER ADULT SUPERVISION.

How to take the helicopter apart:



Instructions for Changing Button Cell Batteries (Included) for Sound Performance:

- 1) Remove small locking screw and battery cover.
- 2) Remove used button cell batteries
- 3) Insert 3 x A76 (V13GA, LR44) button cell batteries or equivalent. Make sure "+" positive and "-" negative pole of batteries are placed as markings show.
- 4) Replace the battery cover and small locking screw so that children cannot tamper with the button cell batteries.
- 5) Button cell batteries should be replaced only by an adult.

- DIFFERENT TYPES OF BATTERIES OR NEW AND USED ACCUMULATORS/BATTERIES ARE NOT TO BE MIXED.
- ONLY BATTERIES OF THE SAME OR EQUIVALENT TYPE AS RECOMMENDED ARE TO BE USED.
- BATTERIES ARE TO BE INSERTED WITH THE CORRECT POLARITY.
- EXHAUSTED BATTERIES ARE TO BE REMOVED FROM THE TOY.
- THE SUPPLY TERMINALS ARE NOT TO BE SHORT-CIRCUITED.

SKU: 113457

Early Learning Centre® Swindon SN3 4TJ England.
 Customer Service Department 08705 352352

