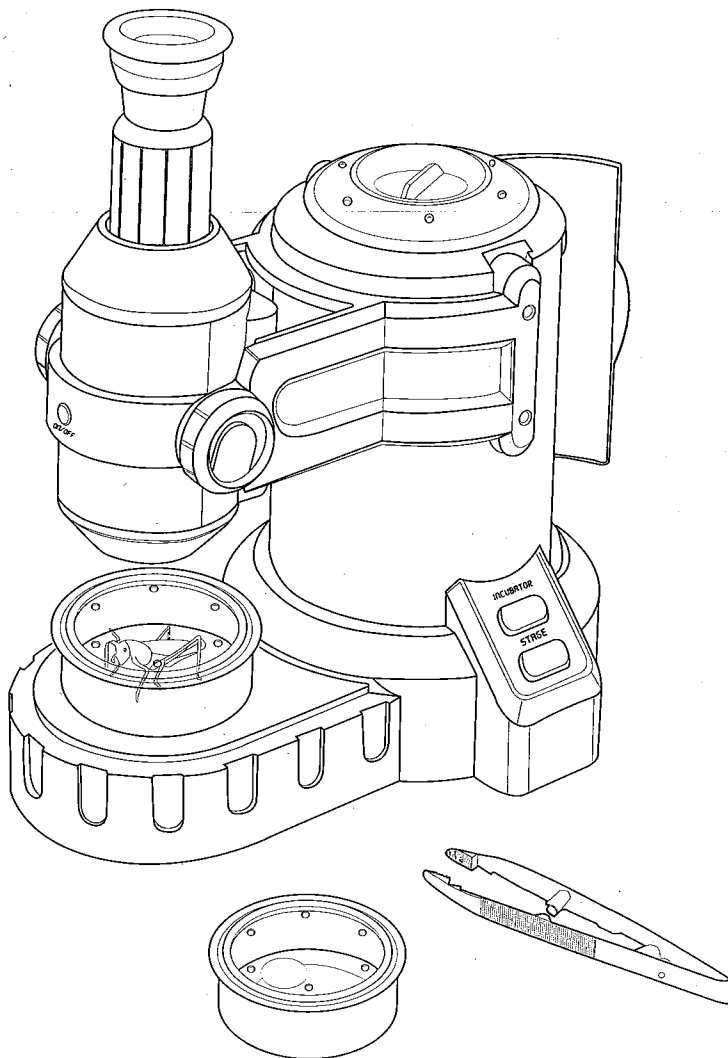




# bug living microscope instructions

116003 0607  
Early Learning Centre®  
Swindon SN3 4TJ England.

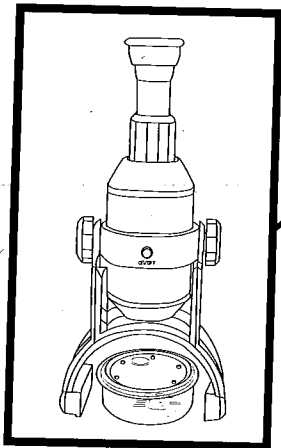
**Customer Service Department**  
**08705 352352**



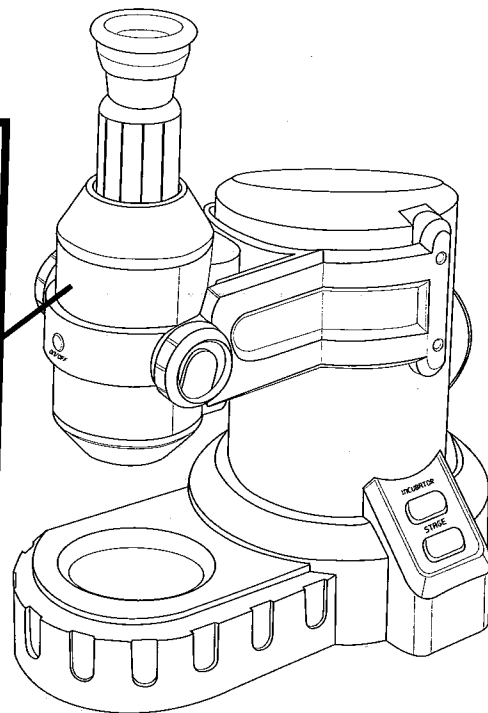
## **battery safety guidelines**

- To prevent battery leakage: Be sure to insert batteries correctly.
- Batteries should be replaced by an adult.
- Never dispose of batteries in fire as this may cause them to explode.
- Do not mix old and new batteries (replace all batteries at the same time).
- Do not mix alkaline, standard (carbon-zinc) or rechargeable (nickel-cadmium) batteries (or equivalent). Only batteries of the same or equivalent type as recommended are to be used.
- Non-rechargeable batteries are not to be recharged.
- Always remove exhausted or dead batteries from product. Remove batteries from product that is not going to be used for a long time. Otherwise, the batteries may leak and cause damage.
- The supply terminals are not to be short-circuited.
- Make sure battery compartment is secure.
- Do not immerse battery operated toys. Wipe clean only.

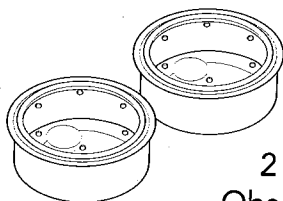
**your microscope set includes:**



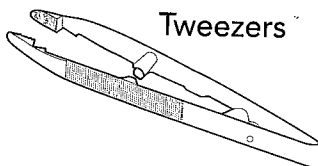
Removable Field  
Microscope



Microscope  
Base  
Unit with  
Removable  
Field  
Microscope



2 Incubation/  
Observation Cups  
with Lids

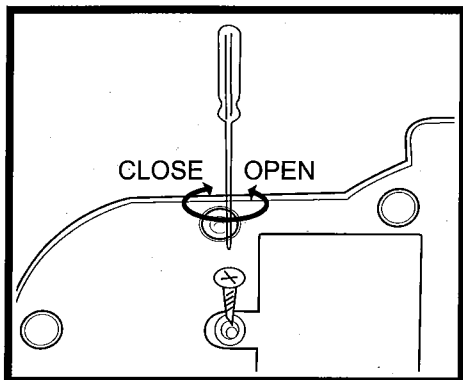


Tweezers

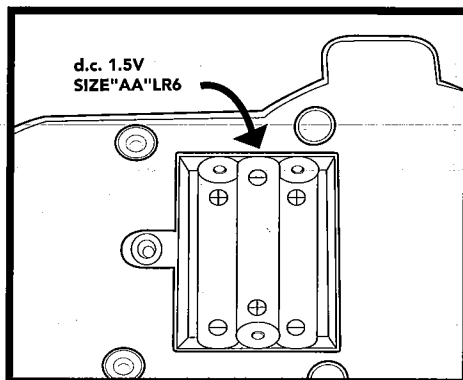
## battery installation

Unscrew the respective battery cover with a screwdriver.  
Insert batteries with the (+) positive and (-) negative polarities facing in the direction as indicated on the battery compartment. Replace cover securely.  
Remove all old batteries before replacing with new batteries.

### base unit:

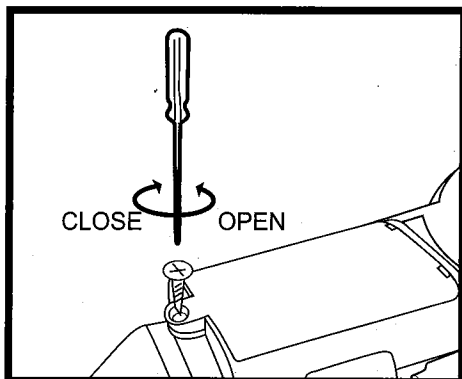


1) Open or close the cover with a Philips screwdriver.

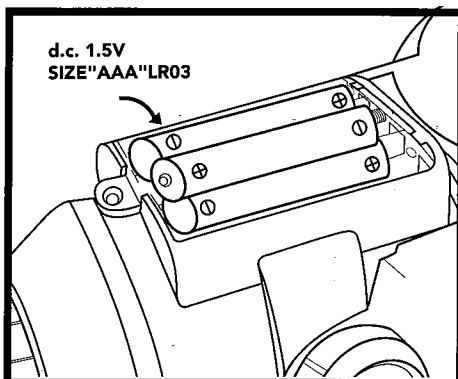


2) Insert 3 size "AA" (LR6) 1.5 V batteries.

### table top unit:



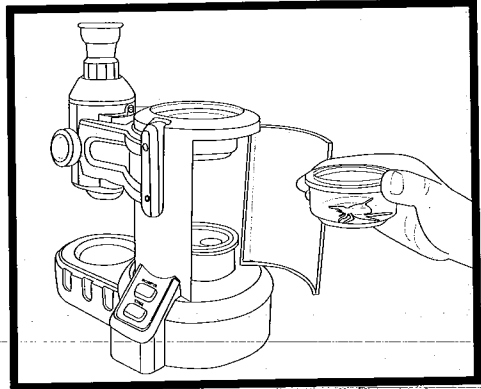
1) Open or close the cover with a Philips screwdriver.



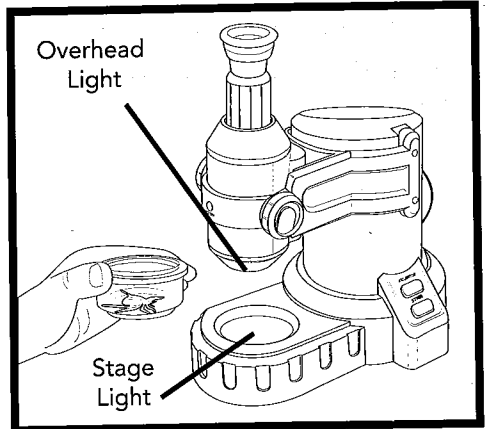
2) Insert 3 size "AAA" (LR03) 1.5 V batteries.

**Your Microscope can be used as a 20-50X microscope, as well as a freestanding viewer.**

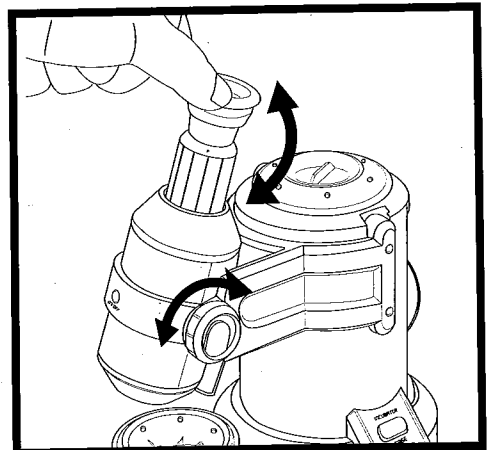
(1) With the help of an adult, collect small, non-stinging insects (i.e. lightning bugs, ladybugs and inchworms) and other interesting living things and place them in the individual cups in the incubator storage unit (one specimen per cup is recommended). Insects will have access to air through the air holes in the lids of the Observation Cups.

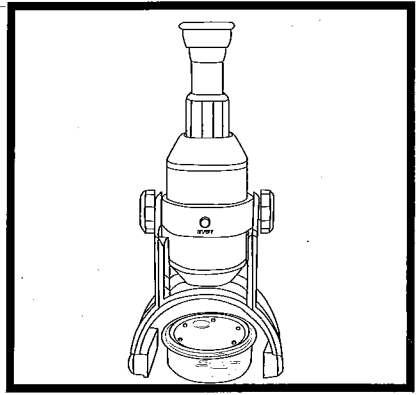
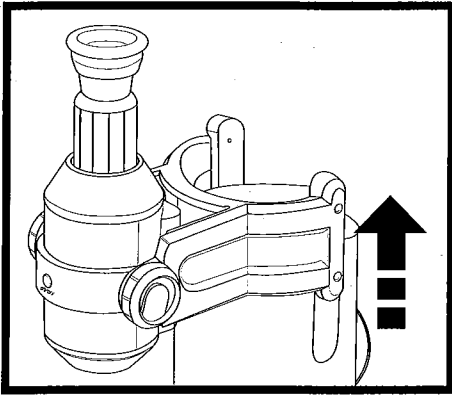


(2) Select one of the cups and place it in the staging area and switch on the stage light as well as the overhead light for easy viewing.



(3) Adjust the body tube by gently rocking it back and forth until you can see the specimen through the eyepiece. When you have the insect in view, tighten the side knobs.





(4) Use your Microscope in the field by sliding the entire viewing unit upward. Place the base on a flat surface. The on/off light works independently of the base for in-the-field use. View living objects such as flowers, rocks, and leaves. Adjust and focus as before.



