



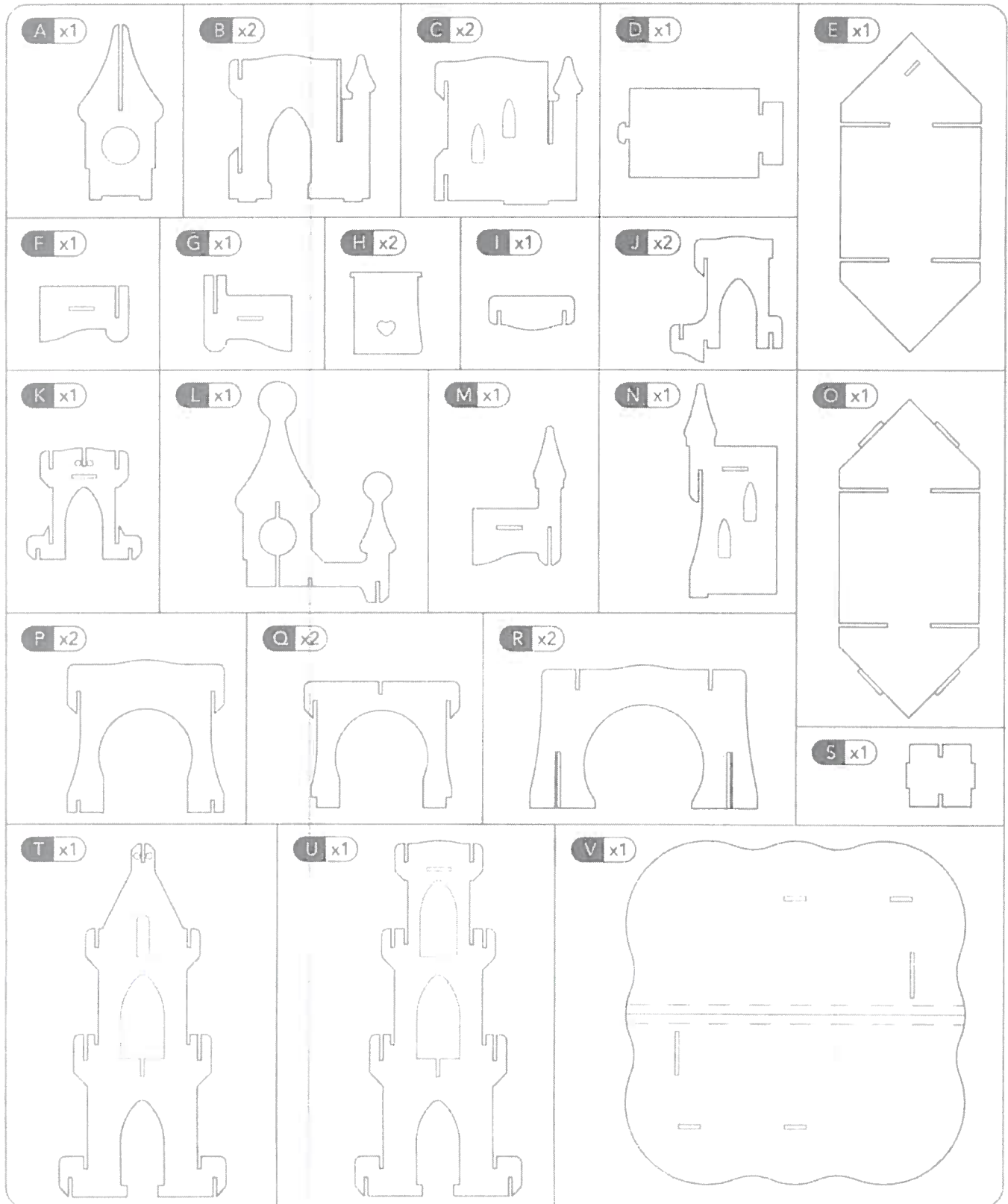
# snow queen palace

instructions

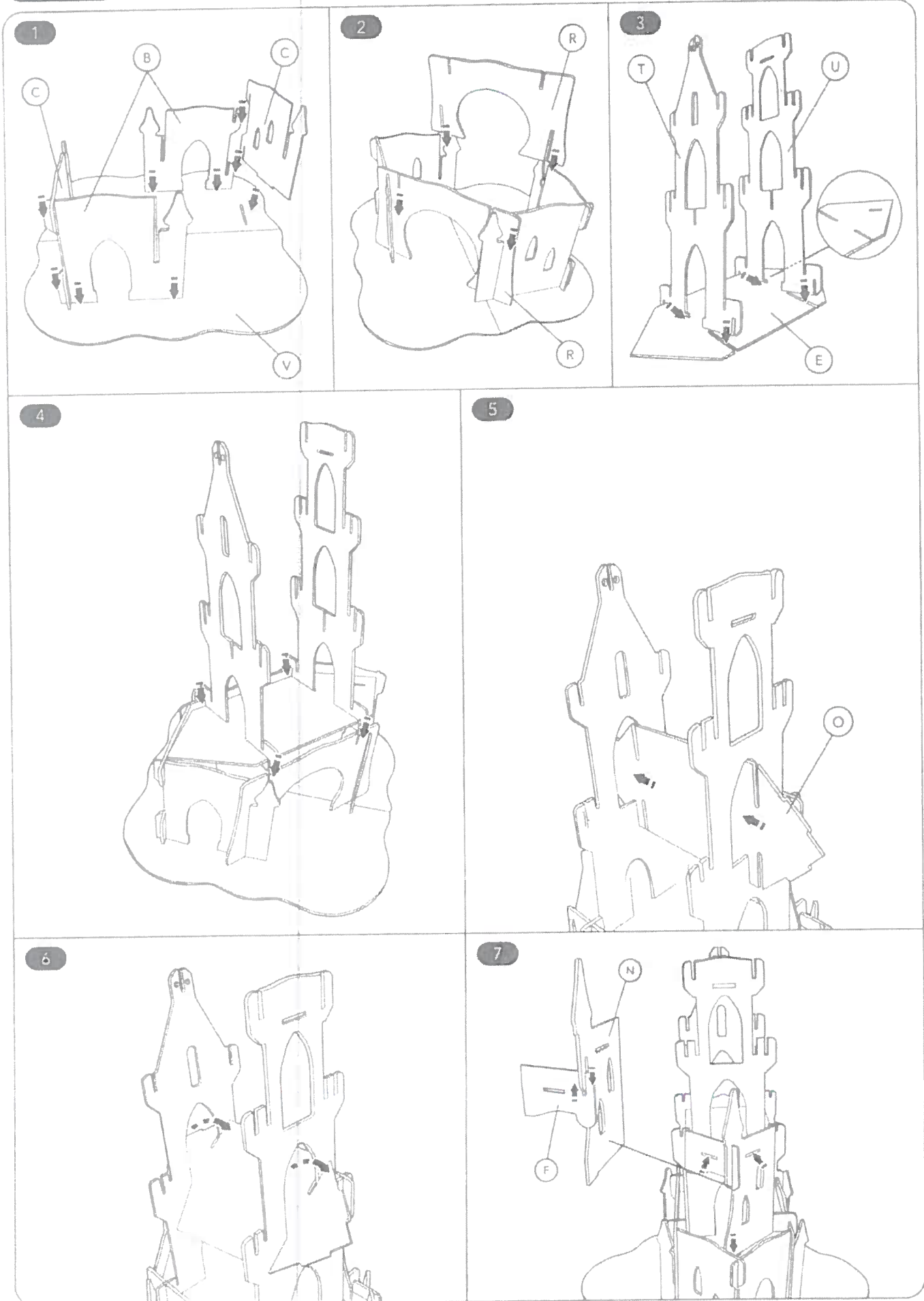
121946 0409  
Early Learning Centre®  
Swindon SN3 4TJ England.

Customer Service Department  
0871 231 3511

## contents

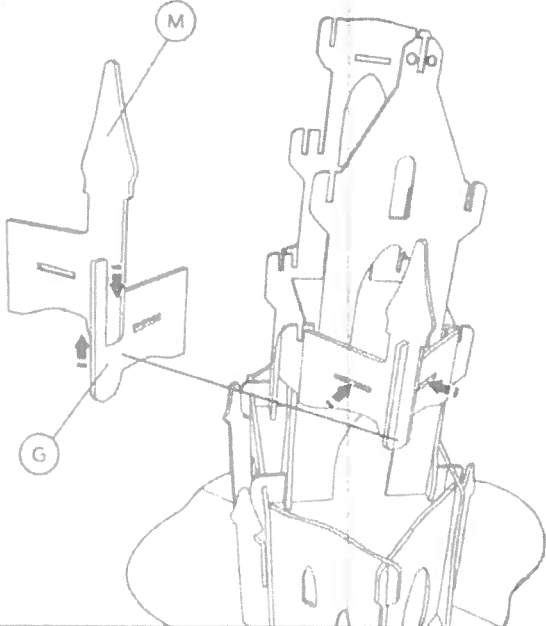


assembly

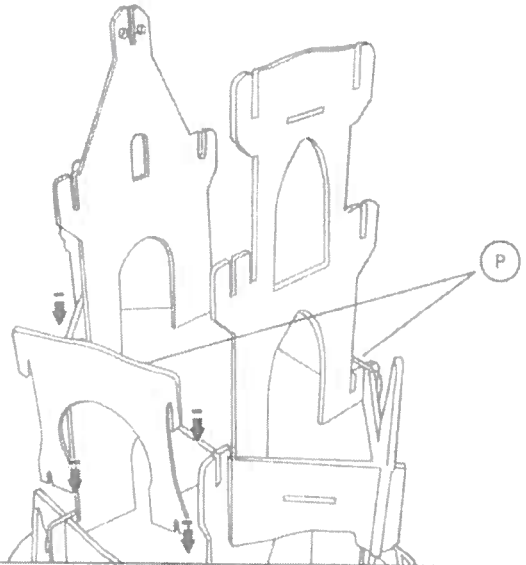


assembly

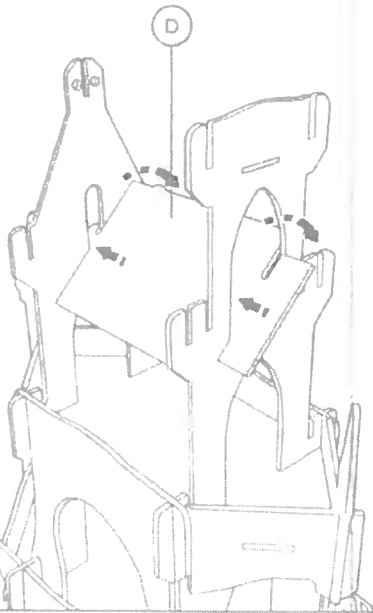
8



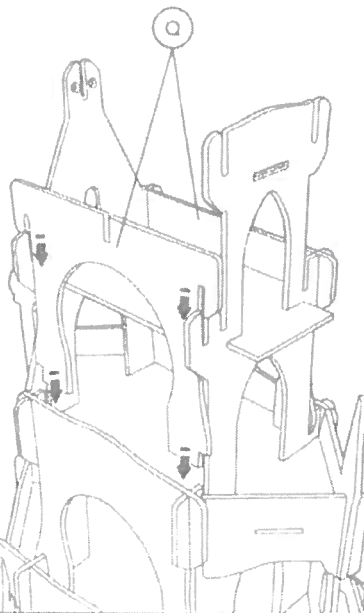
9



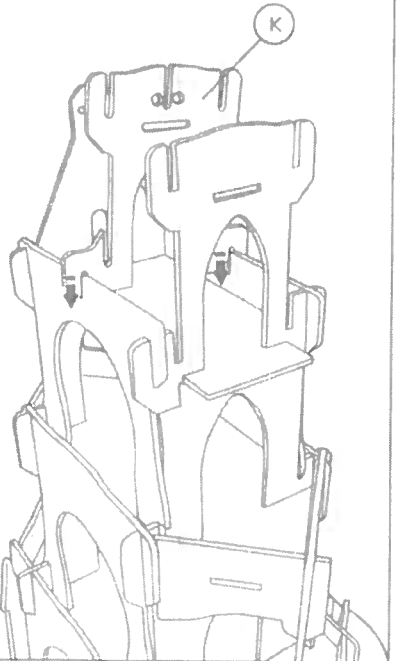
10



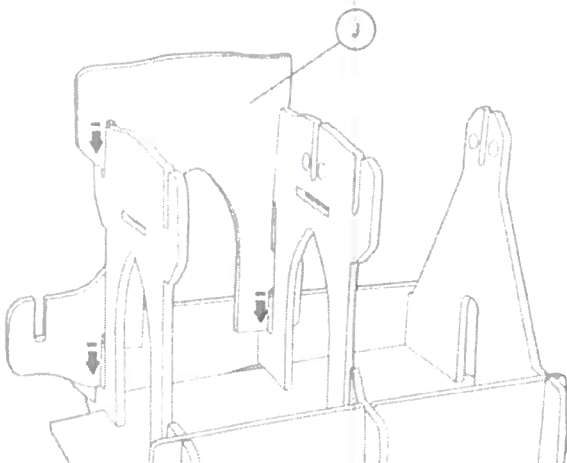
11



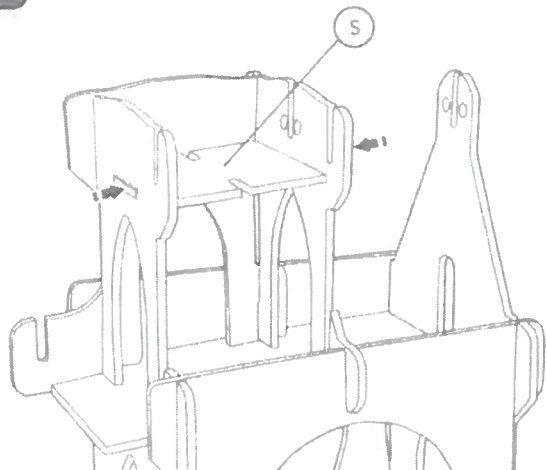
12



13

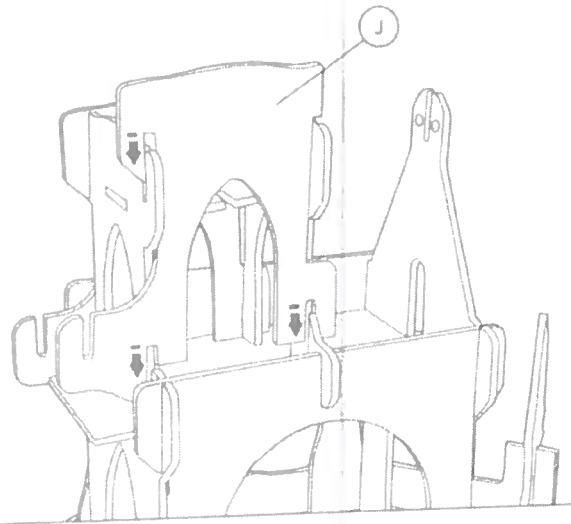


14

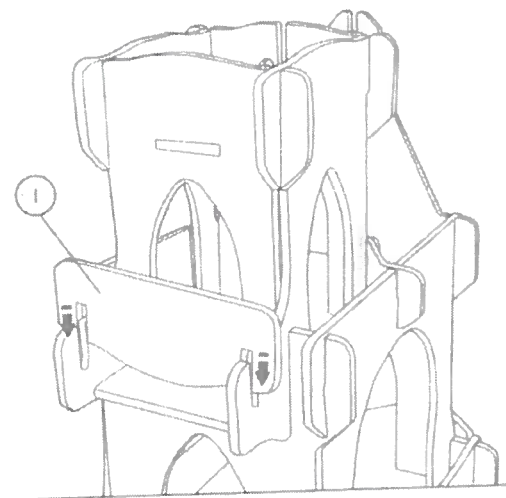


assembly

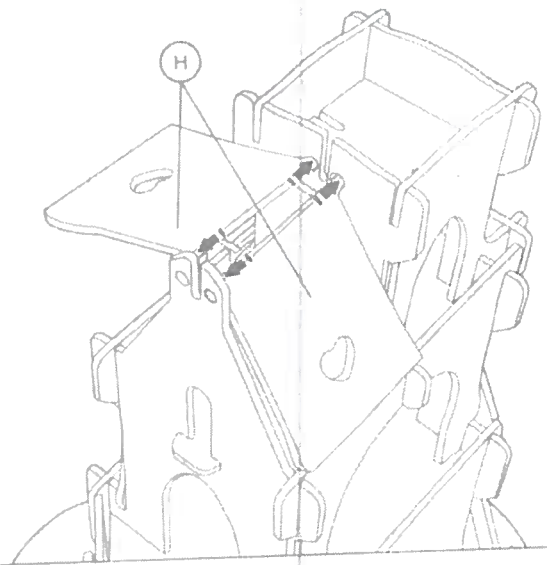
15



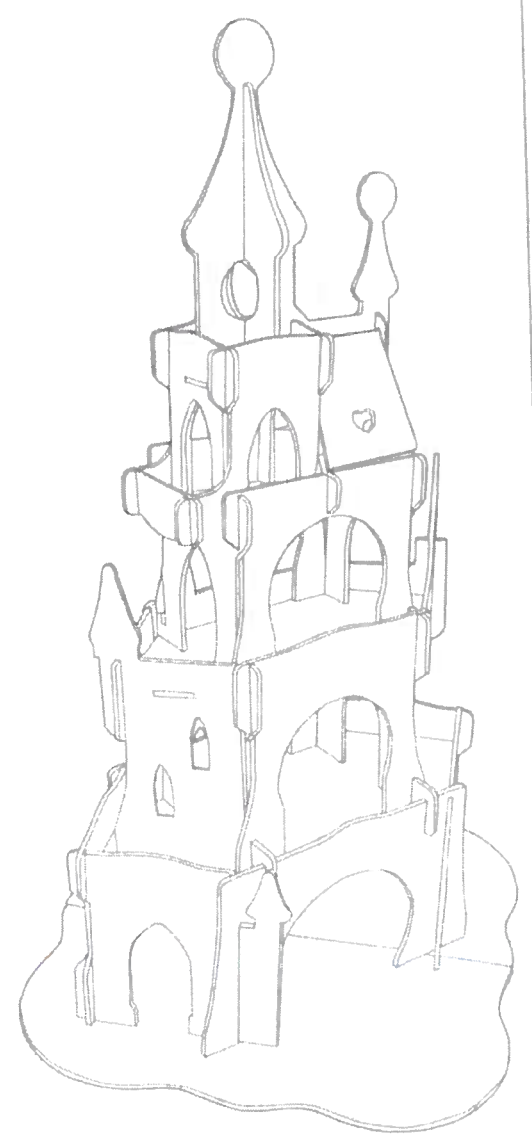
16



17



19



18

