



bookshelves
assembly instructions

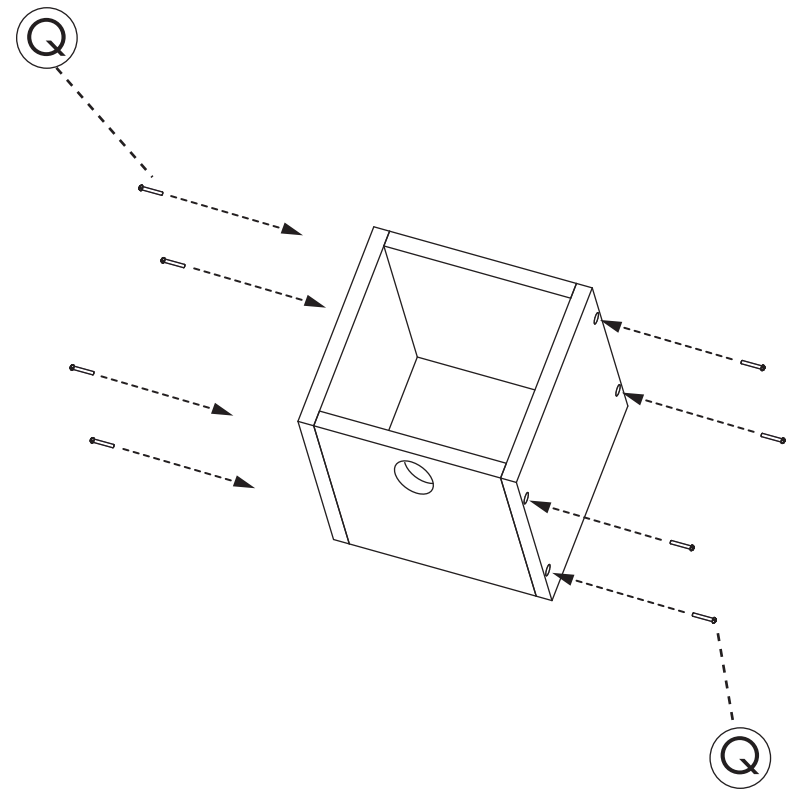
118015 1208
Early Learning Centre®
Swindon SN3 4TJ England.

Customer Service Department
0871 231 3511

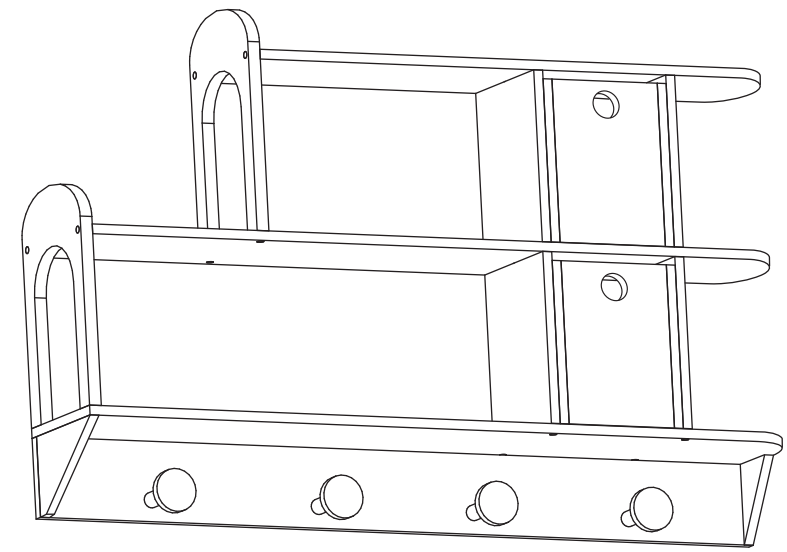
contents

A x2	B x1	C x1
D x1	E x1	F x2
G x1	H x1	I x4
J x1	K x1	L x2

7



8

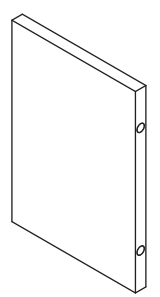


Shelves hanging instructions:

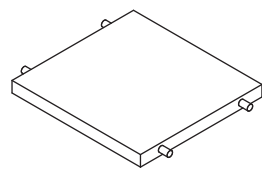
Wall fittings must be suitable for the type of wall and load. If in any doubt, contact a professional builder. Maximum recommended load is 15 kg.

1. Measure the distance between the 3 hanging sections on the back of the shelves.
2. Mark 3 holes this distance apart on the wall at the desired height you would like to hang the shelves.
3. Using the appropriate wall fittings. Fix the fittings to the wall leaving approximately 1/4" / 6mm between the head of the screw and the wall.
4. Slide hooks on back of the item over screws to hang shelves.

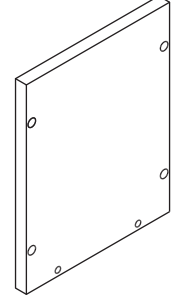
M x2



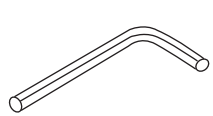
N x2



O x4



P x1

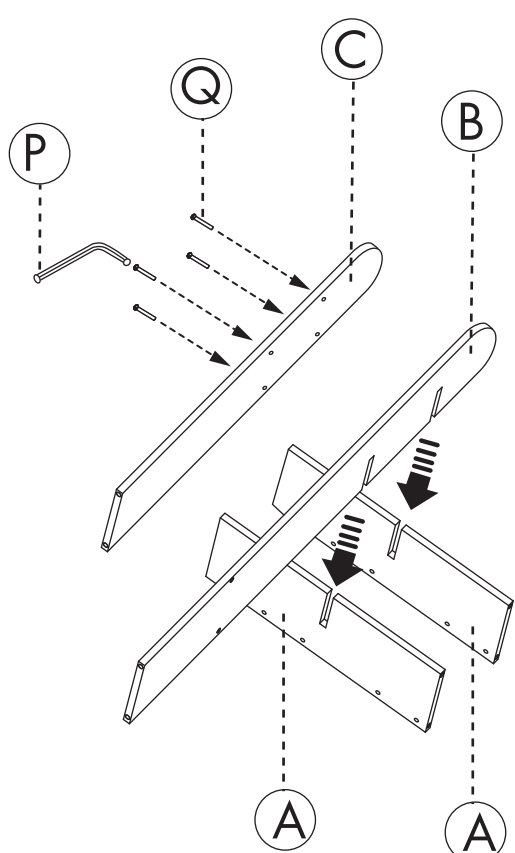


Q x51

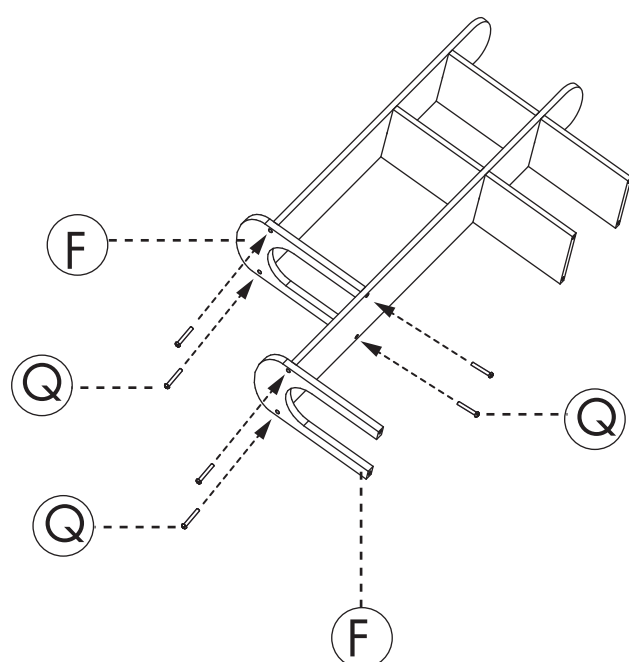


assembly

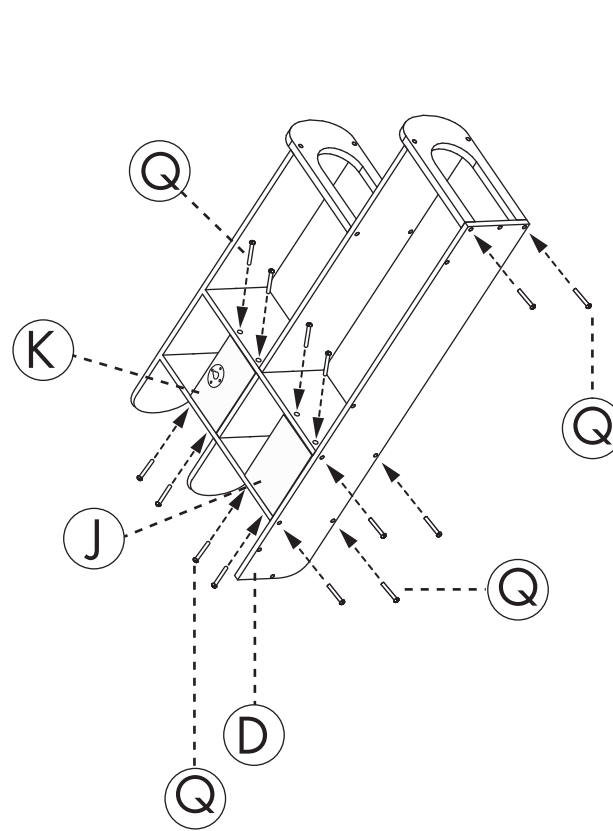
1



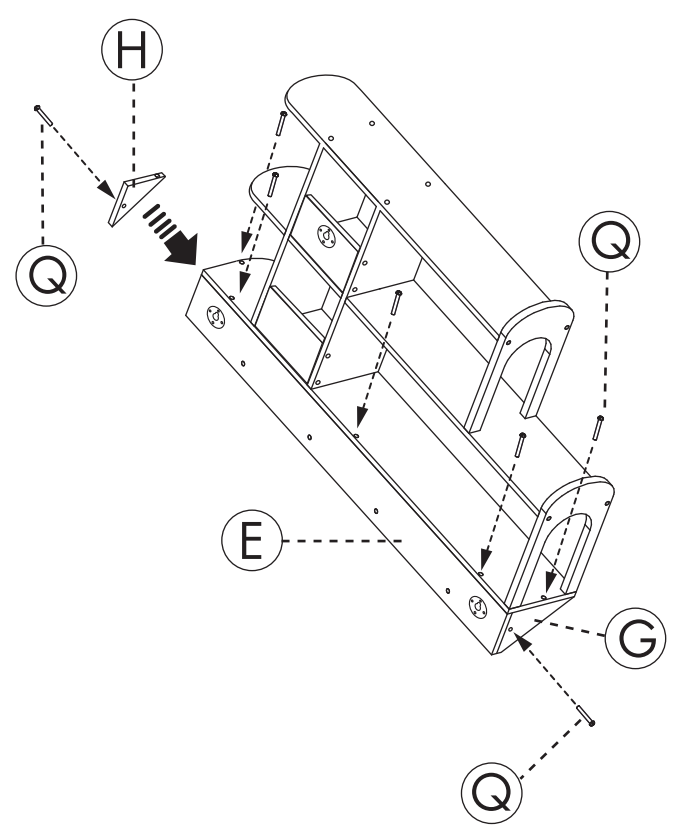
2



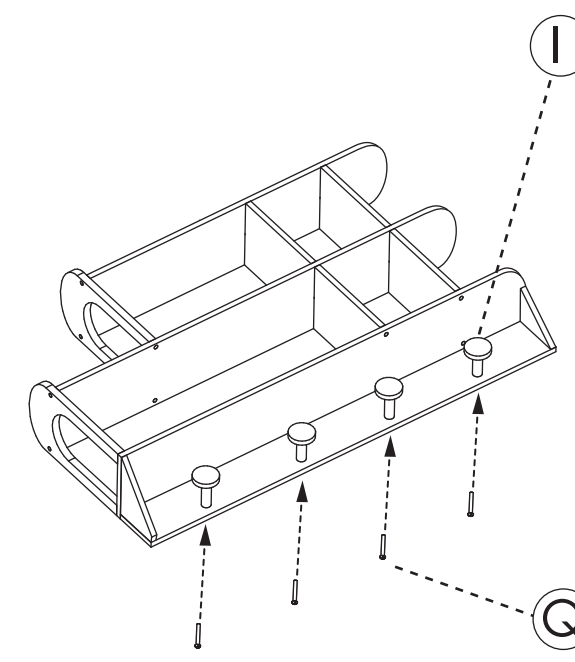
3



4



5



6

