



Retro Kitchen

instructions

116524

Early Learning Centre
Swindon SN3 4TJ England.

Customer Service Department
08705 352 352

ALL OF OUR WOODEN ITEMS ARE HANDCRAFTED, HAND ASSEMBLED, AND HAND PAINTED. EACH ONE IS UNIQUE. SLIGHT IMPERFECTIONS MAY OCCUR AND ARE NOT MANUFACTURING DEFECTS.

IMPORTANT: PLEASE READ THE INSTRUCTION LEAFLET FULLY BEFORE STARTING PRODUCT ASSEMBLY. ADULT ASSEMBLY REQUIRED. **ASSEMBLY REQUIRES 2 PERSONS.**

DO NOT 'DRAG' PRODUCT ONCE ASSEMBLED. LIFT INTO POSITION AND PLACE ON SOLID LEVEL GROUND.

ENSURE ALL FIXINGS ARE TIGHTENED FULLY BEFORE USE.

CHECK REGULARLY TO ENSURE ALL PARTS ARE SECURE AND NO DAMAGE AS BEEN SUSTAINED.

IF BROKEN DISCONTINUE USE. FAILURE TO DO SO MAY RESULT IN INJURY. DO NOT LEAVE OUTDOORS IN COLD OR WET WEATHER

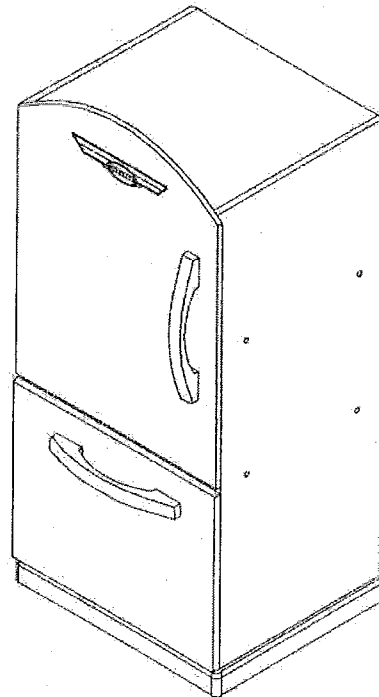
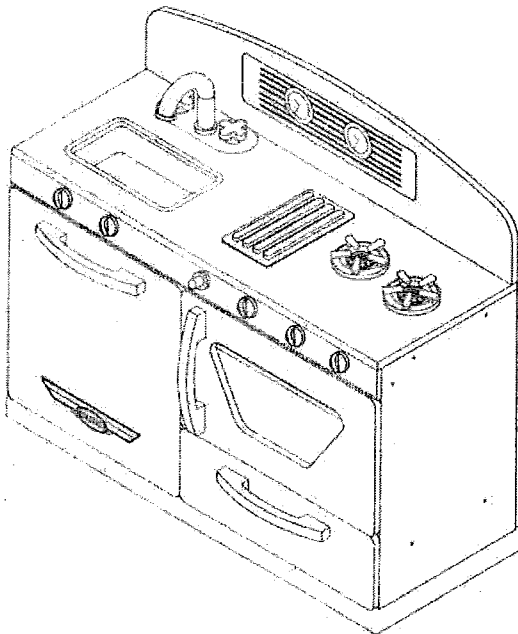
USE AND MAINTENANCE:

-Use on level surfaces only

-Please check assembly at regular intervals, and frequently tighten hardware if necessary. If maintenance is not carried out, the product could cease to function properly.

CAUTION: Adult assembly required. Hardware contains small screws with sharp points. Keep unassembled parts out of the reach of small children.

WARNING: CHOKING HAZARD
Unassembled parts may be a choking hazard to children 3 years and younger.





Retro Kitchen


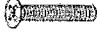








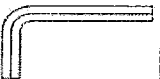

instructions

116524

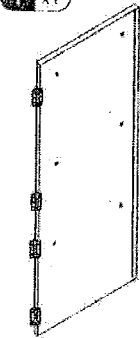
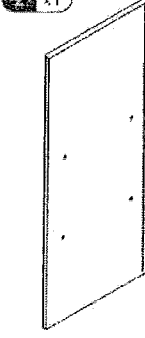

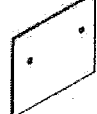
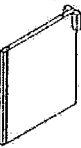
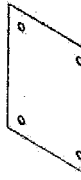
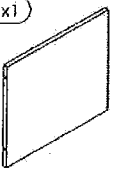
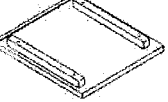

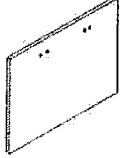

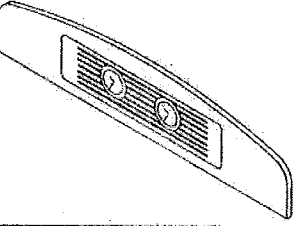
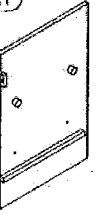
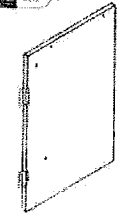
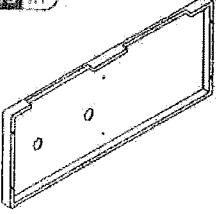
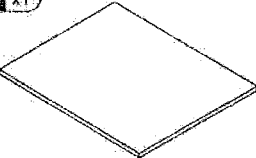
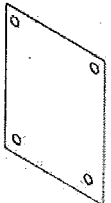
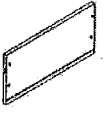
Early Learning Centre
Swindon SN1 4UJ England

Customer Service Department
08705 352 352

hardware

A x3 Cross Dowel Bolt (2.25in, 55mm) 	B x16 Large Blue Screw (1.25in, 30mm) 	C x39 Blue Screw (1in, 25mm) 	D x16 Short Screw (.5in, 12mm) 	E x2 Panhead Screw (1in, 25mm) 	F x3 Cross Dowel Nut 
G x1 Large Washer 	H x2 Small Washer 	I x1 Nylon Lock Nut 	J x1 Wrench 	K x1 Allen Key 	L x1 The following tool is required for assembly:  Phillips Screwdriver

contents

1 x1 	2 x1 	3 x1 	4 x1 	5 x1 
6 x1 	7 x1 	8 x1 	9 x1 	10 x1 
11 x1 	12 x1 	13 x1 	14 x1 	15 x1 
16 x1 	17 x1 	18 x1 		



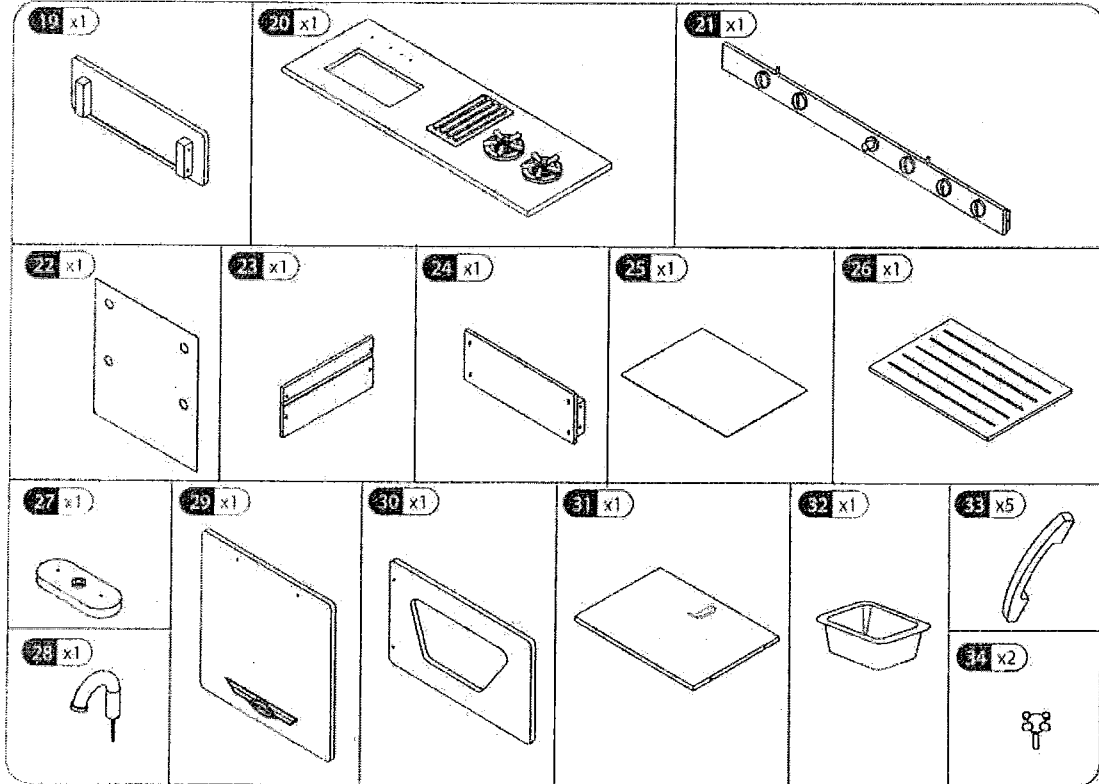
Retro Kitchen

instructions

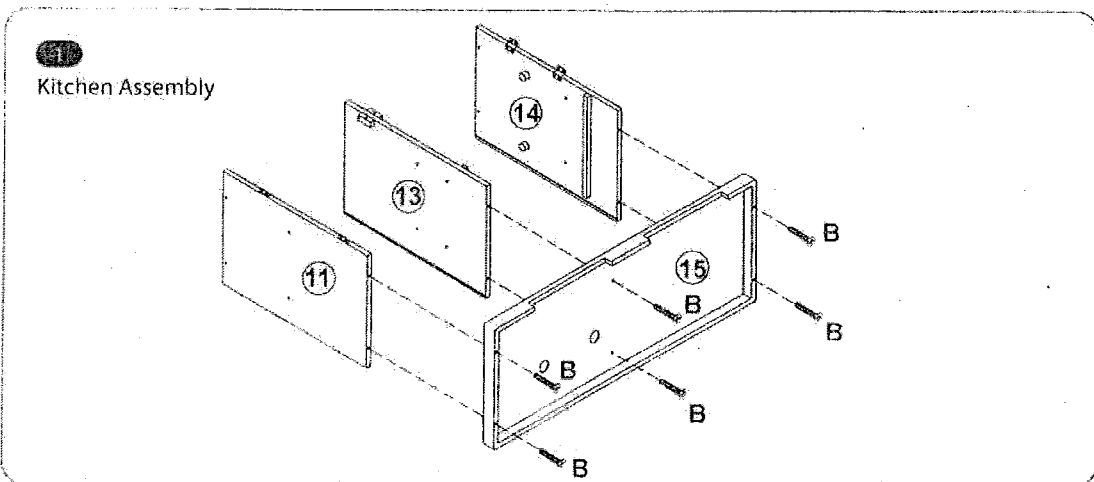
116524
Early Learning Centre
Swindon SN3 4TJ England.

Customer Service Department
08705 352 352

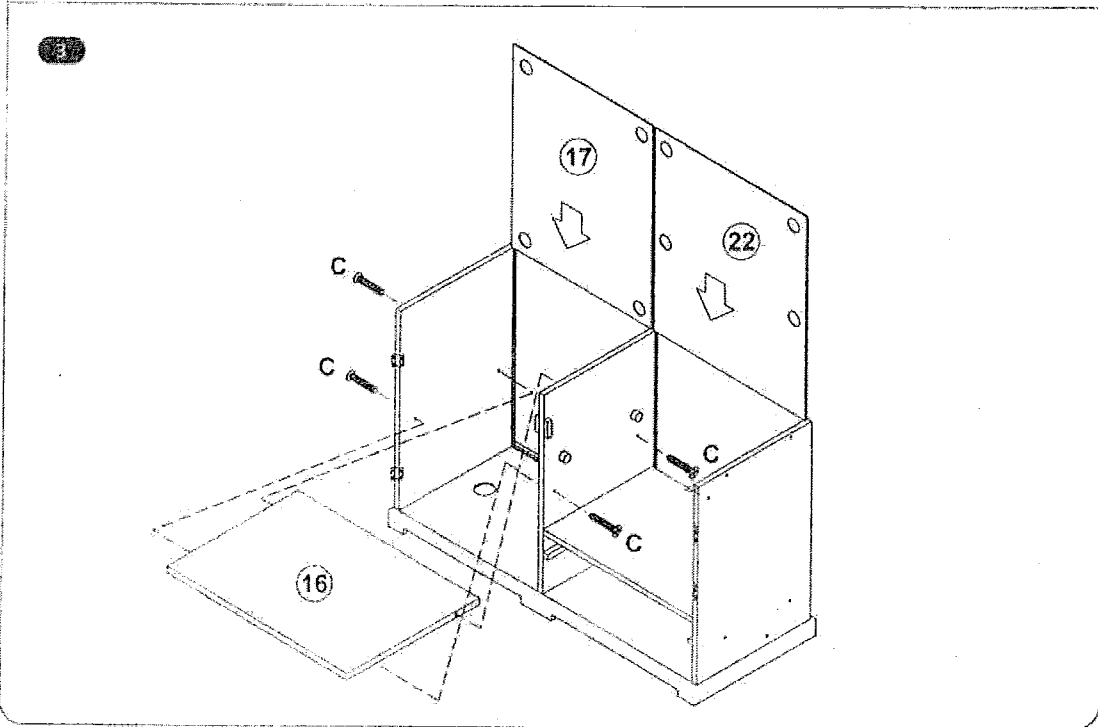
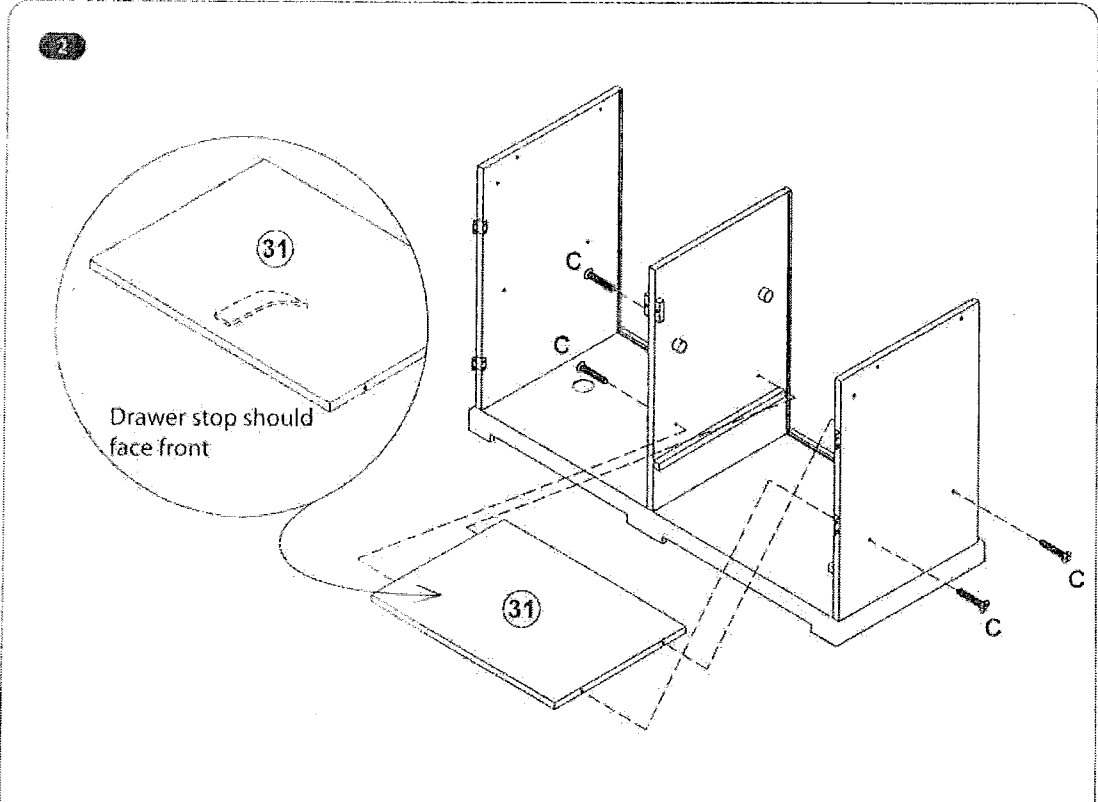
contents



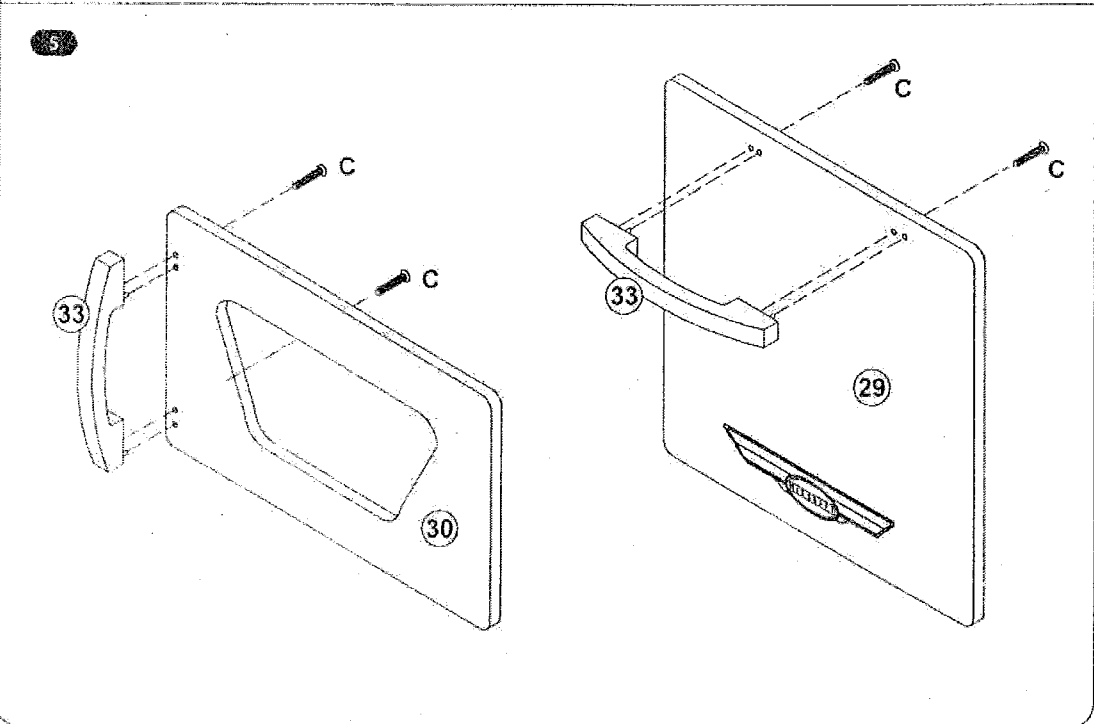
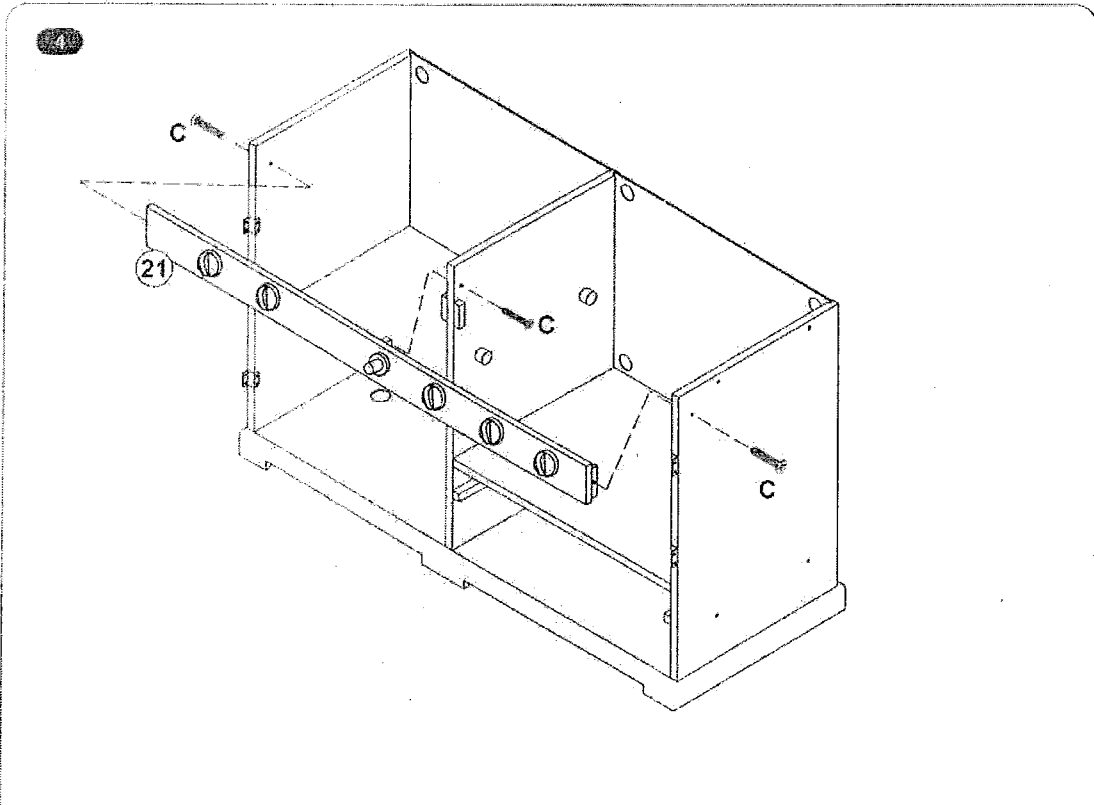
assembly



assembly

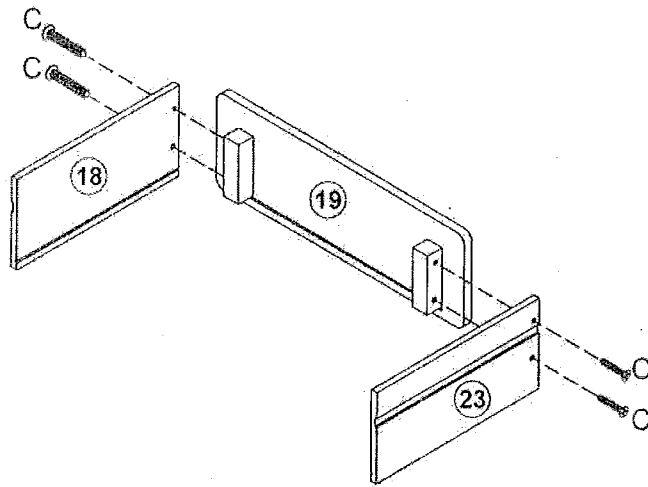


assembly

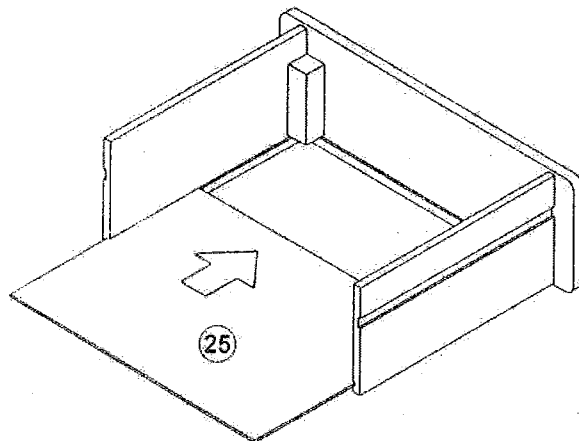


assembly

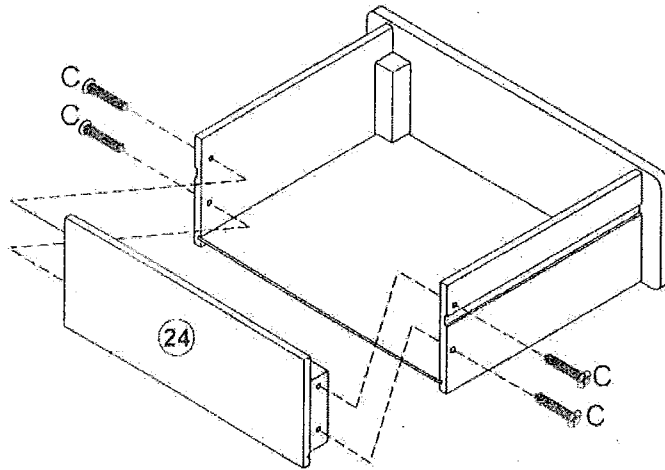
6



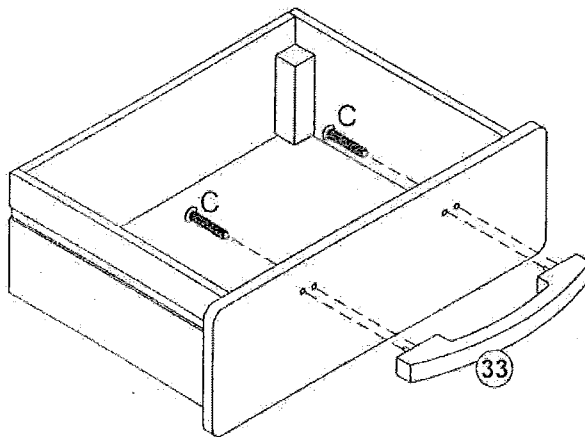
7



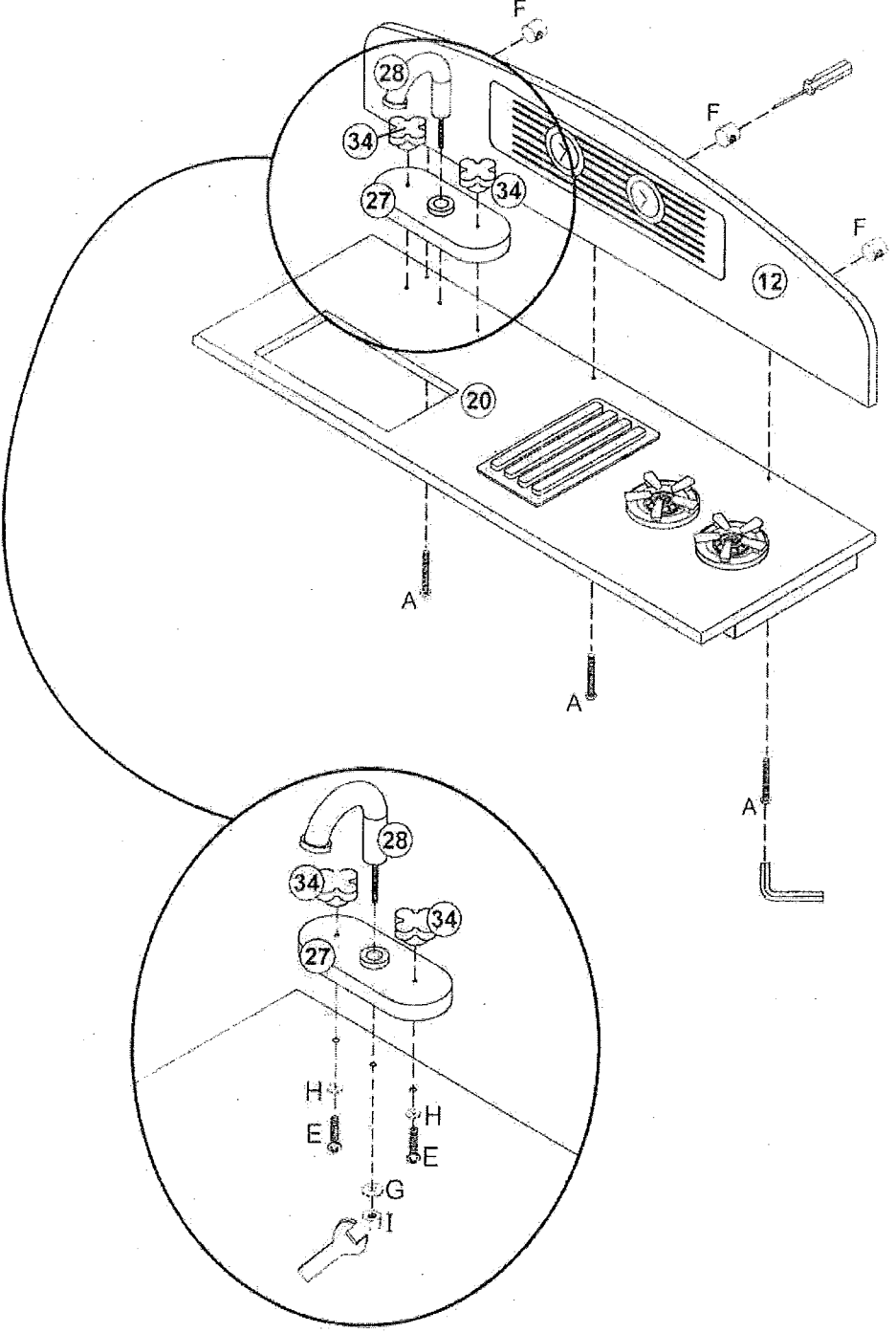
3

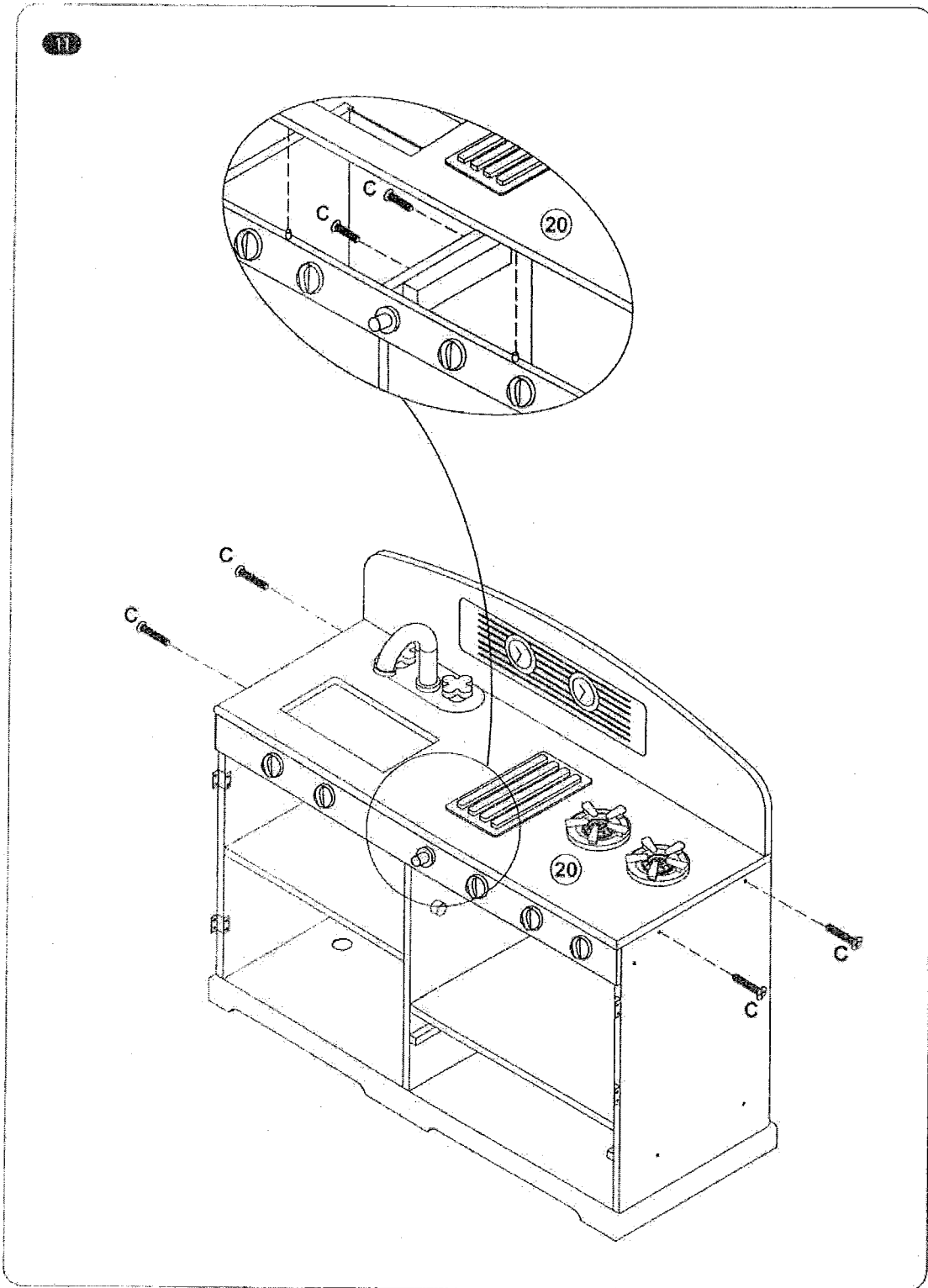


4



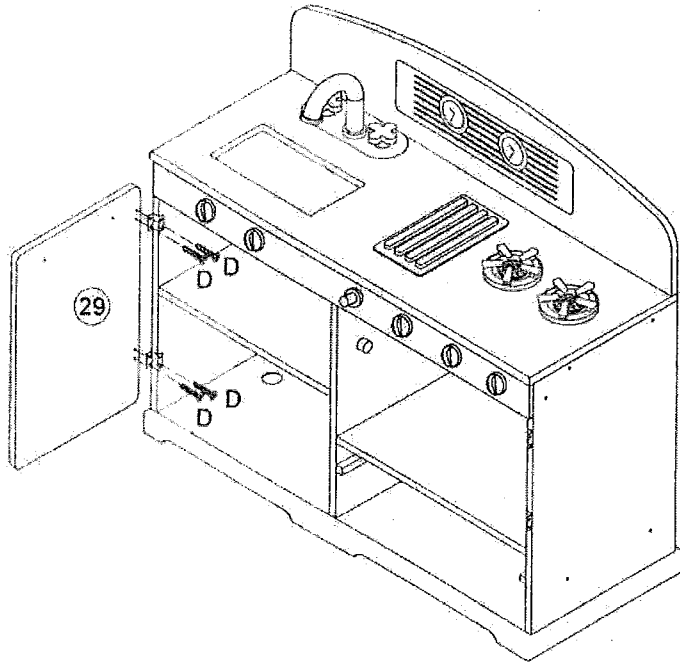
10



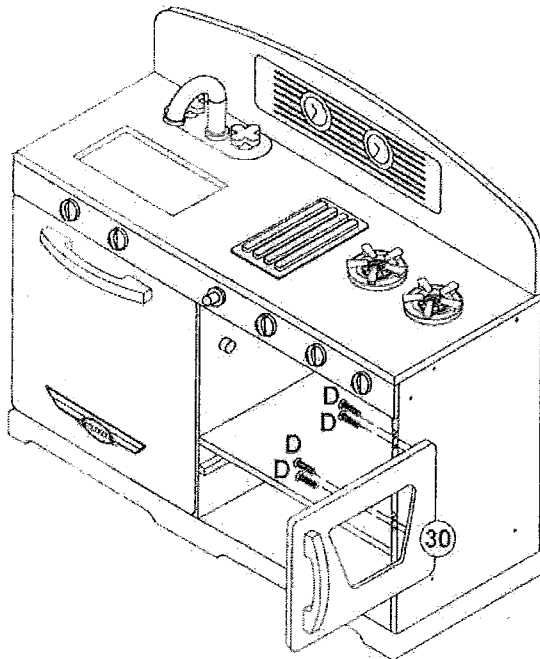


assembly

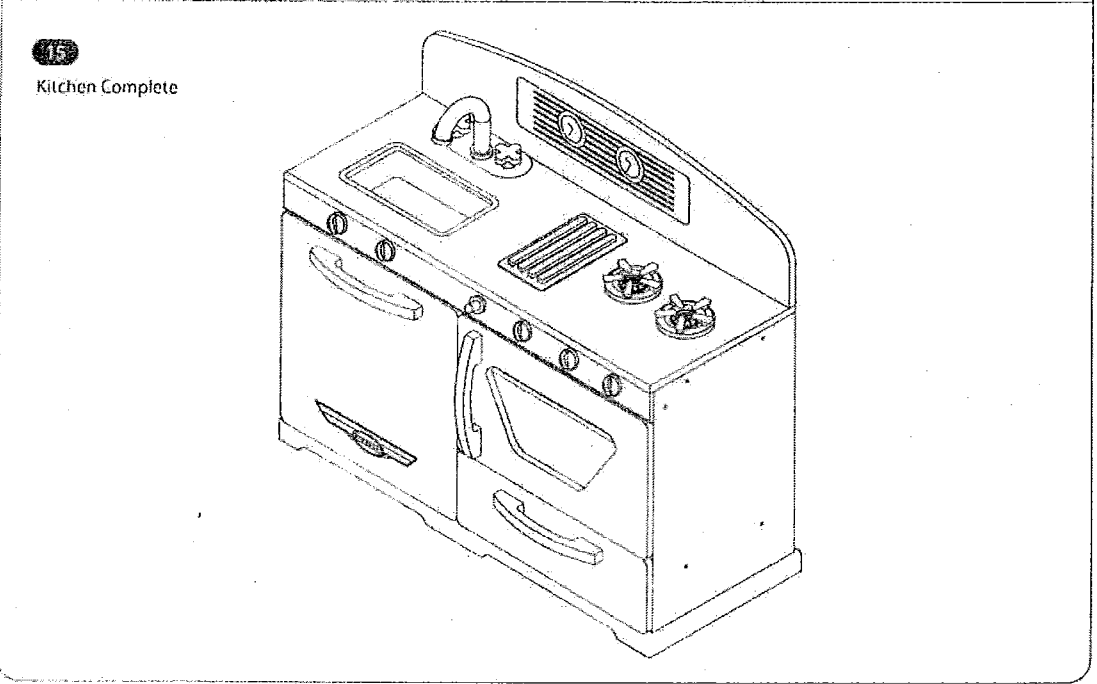
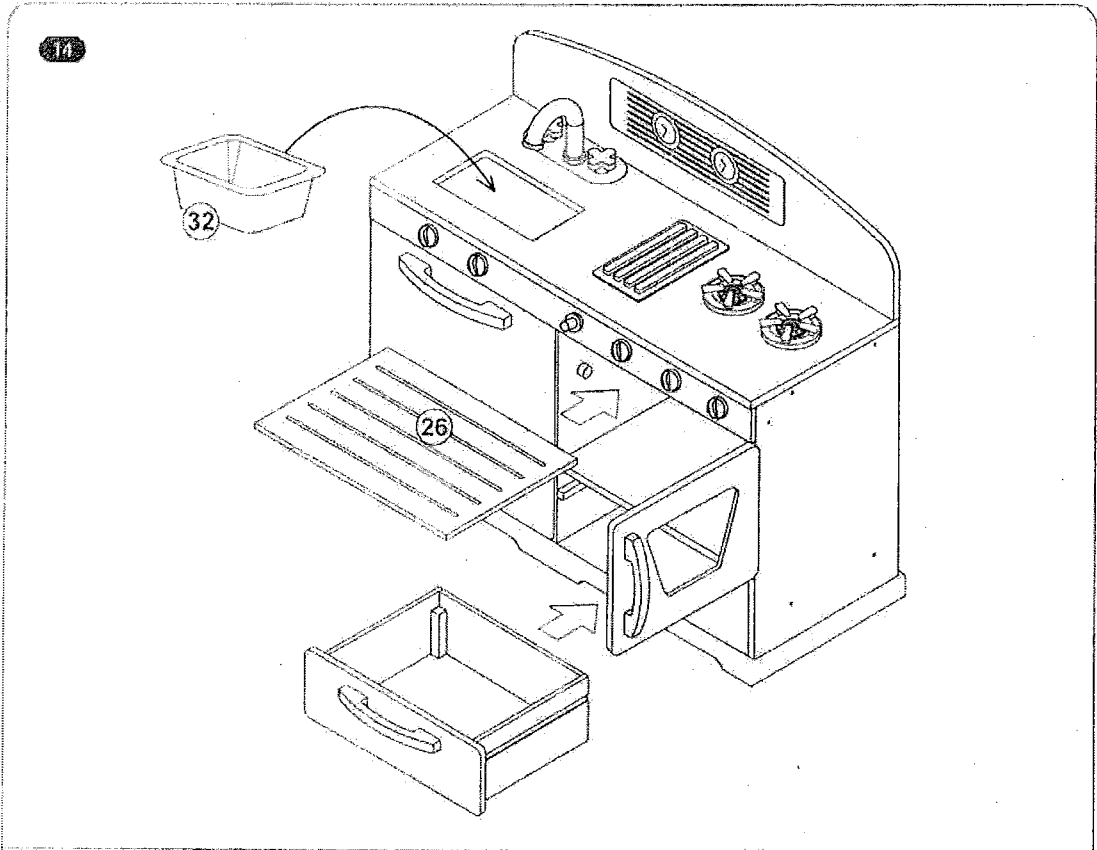
12



13



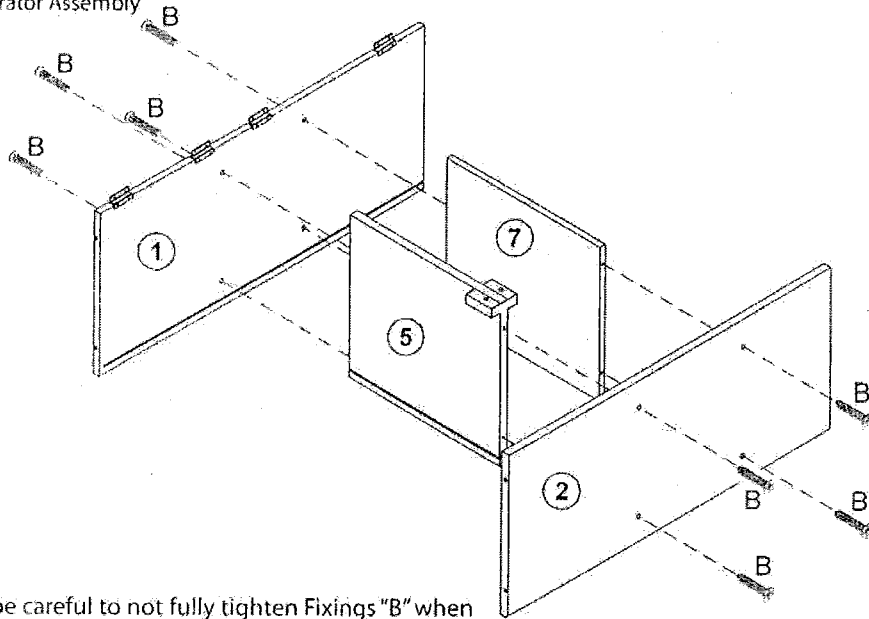
assembly



assembly

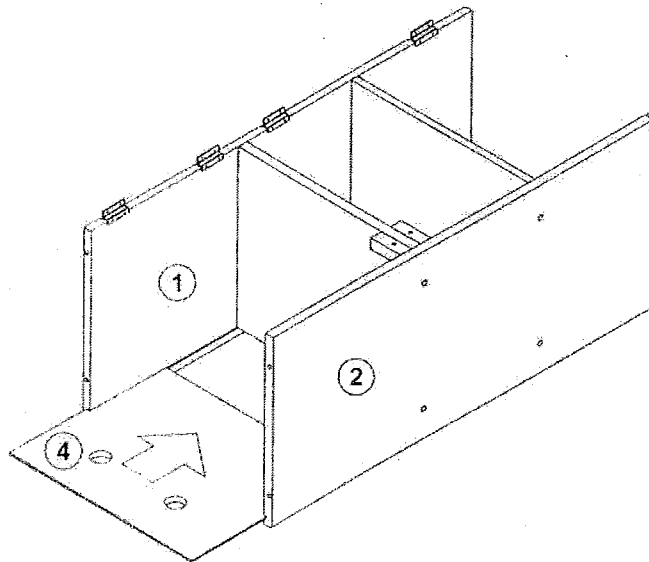
16

Refrigerator Assembly



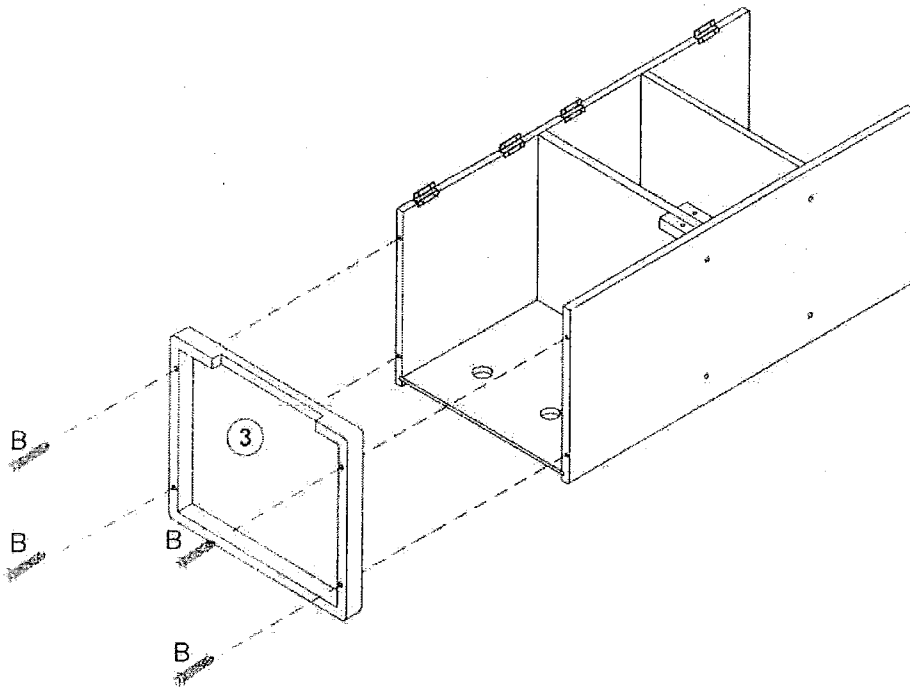
Please be careful to not fully tighten Fixings "B" when attaching Parts 1 and 2 in order to allow room to push 6 into place (Step 19).

17

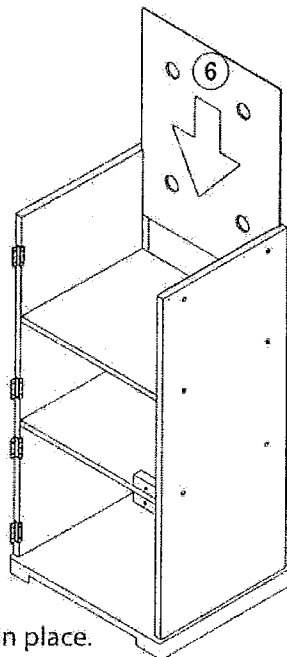


assembly

18

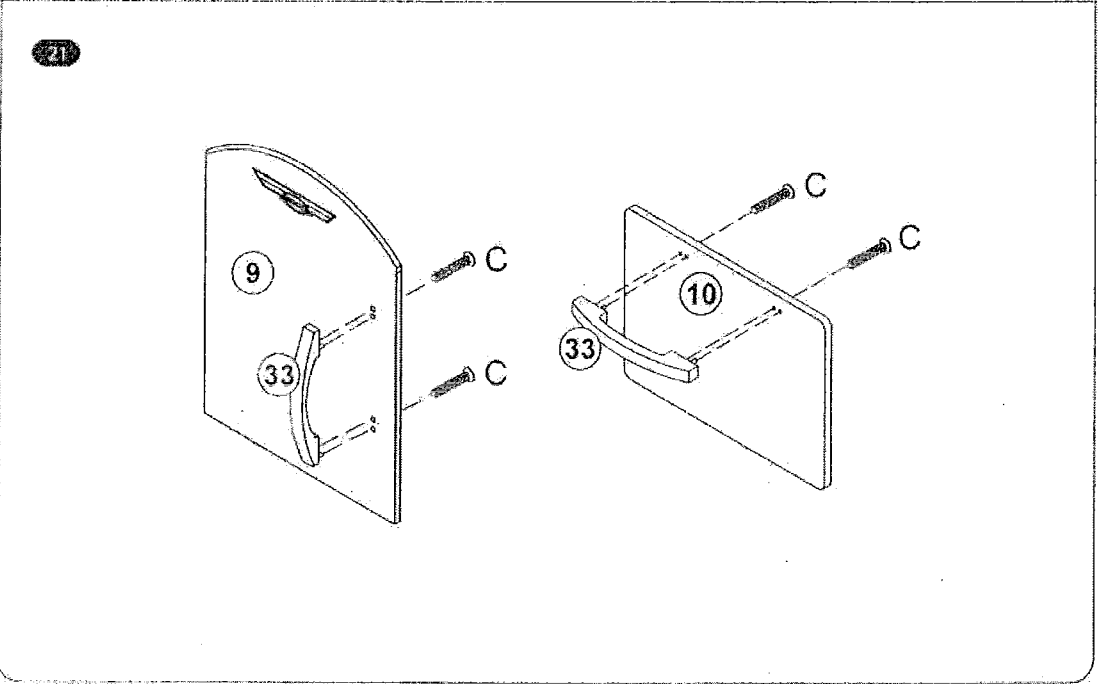
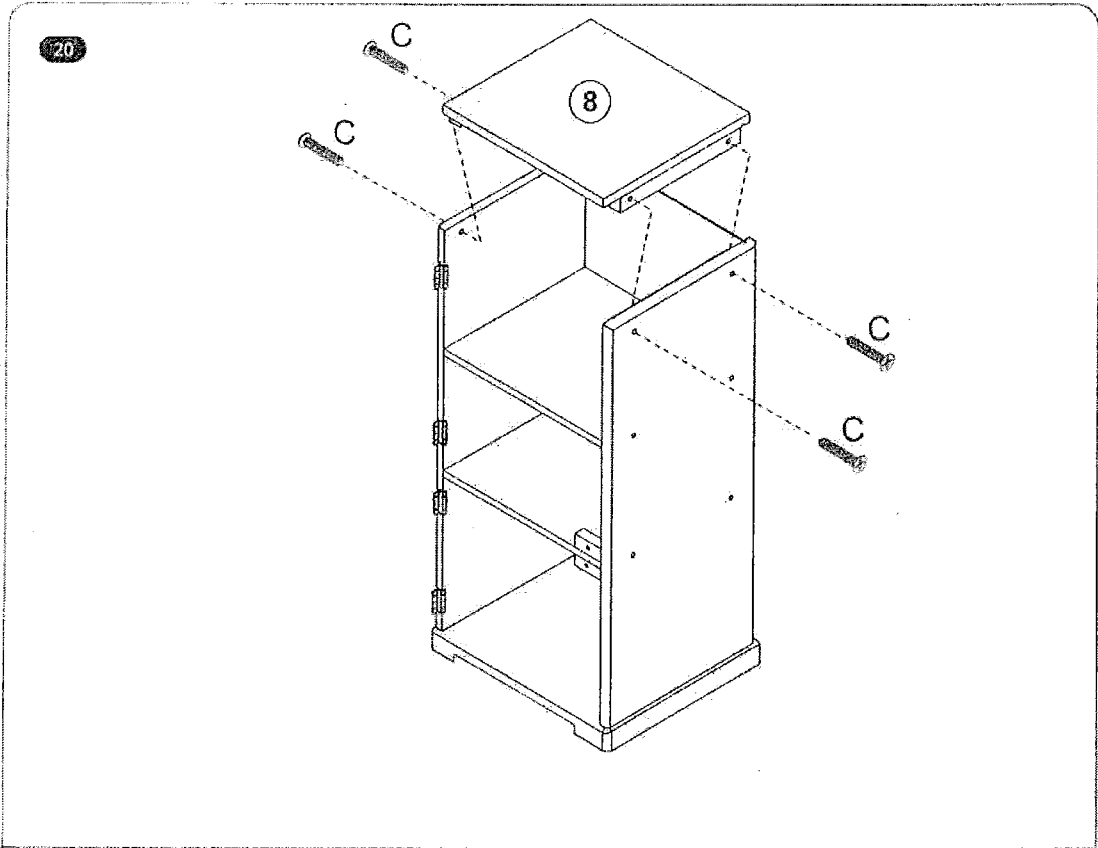


19



Please remember to fully tighten the bolts (B) that secure Parts 1 and 2 in place.

assembly



assembly

