



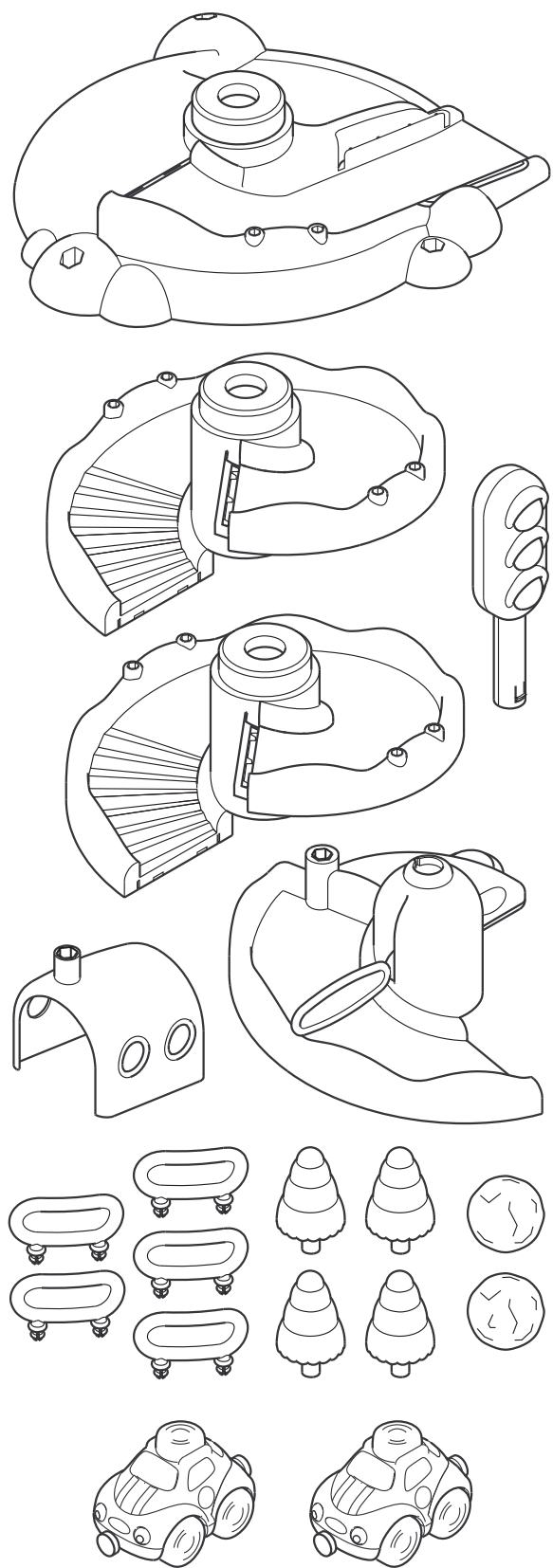
Whizz Around Mountain

instructions

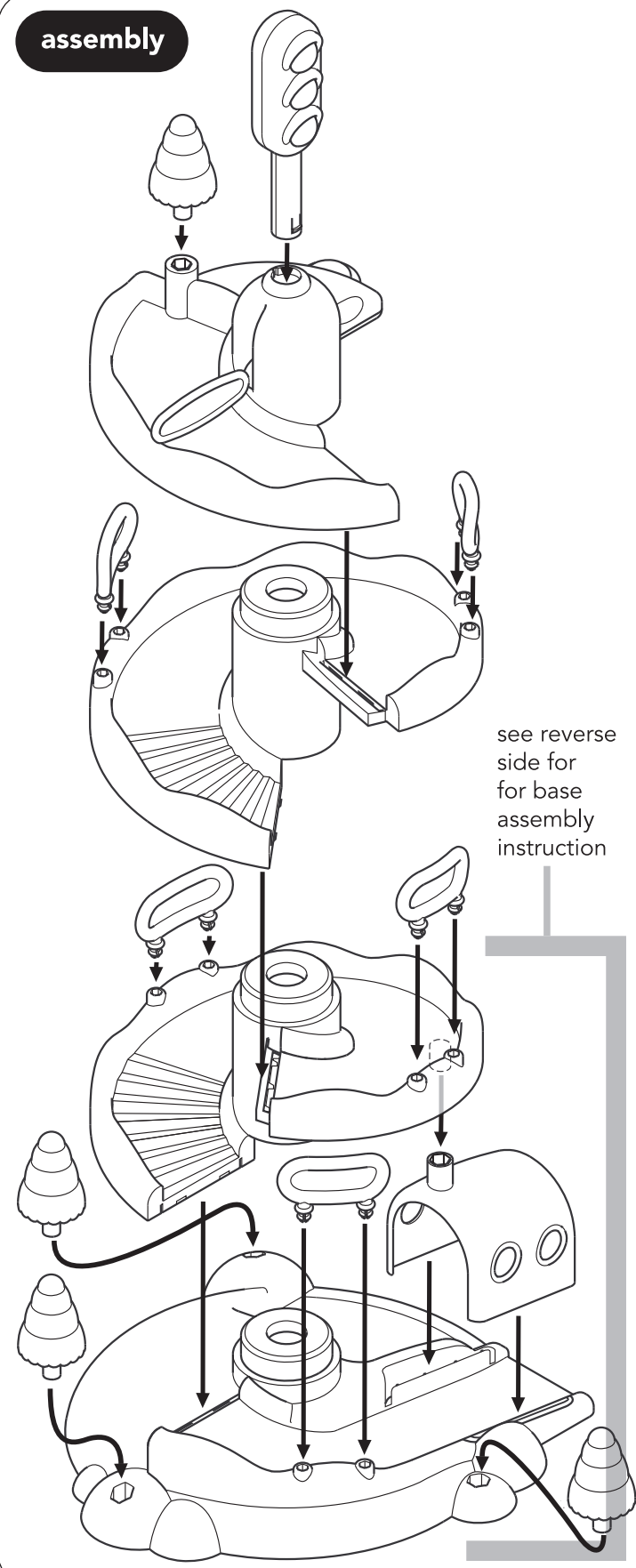
116188 0707
Early Learning Centre®
Swindon SN3 4TJ England.

Customer Service Department
08750 352352

contents



assembly



base assembly

